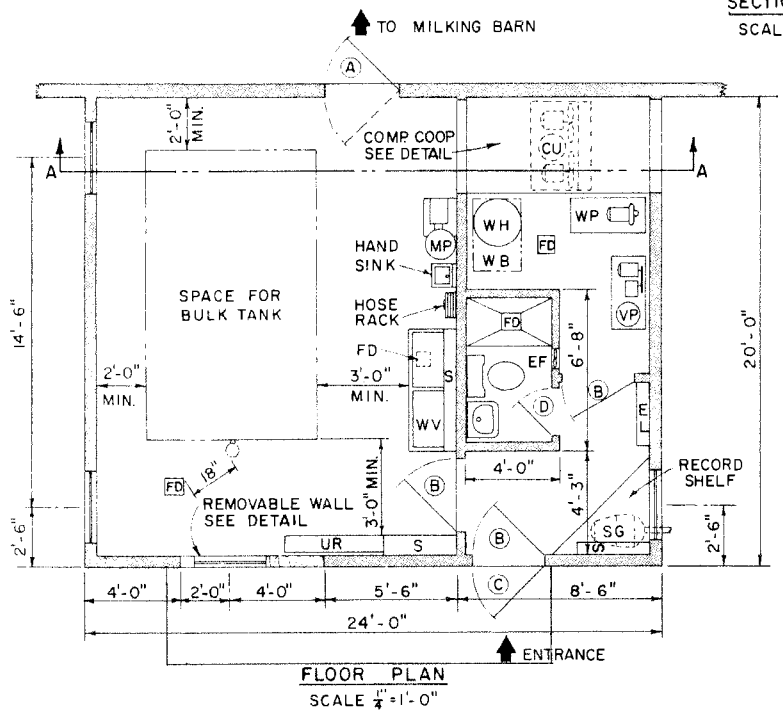
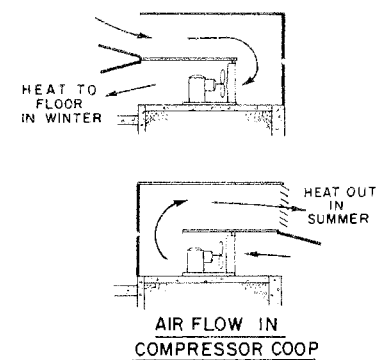


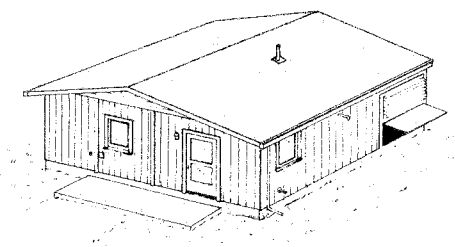
SECTION A-A
SCALE 1/2" = 1'-0"



FLOOR PLAN
SCALE 1/4" = 1'-0"

- SYMBOL KEY**
- CU CONDENSING UNIT
 - EF EXHAUST FAN (2,000 C.F.M.) WITH DUCT TO OUTSIDE
 - EL ELEC. SERVICE ENTRANCE
 - FD FLOOR DRAIN
 - MP MILK PUMP & RECEIVER
 - S STORAGE CABINET
 - SG STANDBY GENERATOR WITH PTO SHAFT THROUGH WALL
 - UR UTENSIL RACK
 - VP VACUUM PUMP & TANK
 - WB WATER BOILER, OPTIONAL
 - WH WATER HEATER
 - WP WATER PUMP & TANK
 - WV WASH VATS

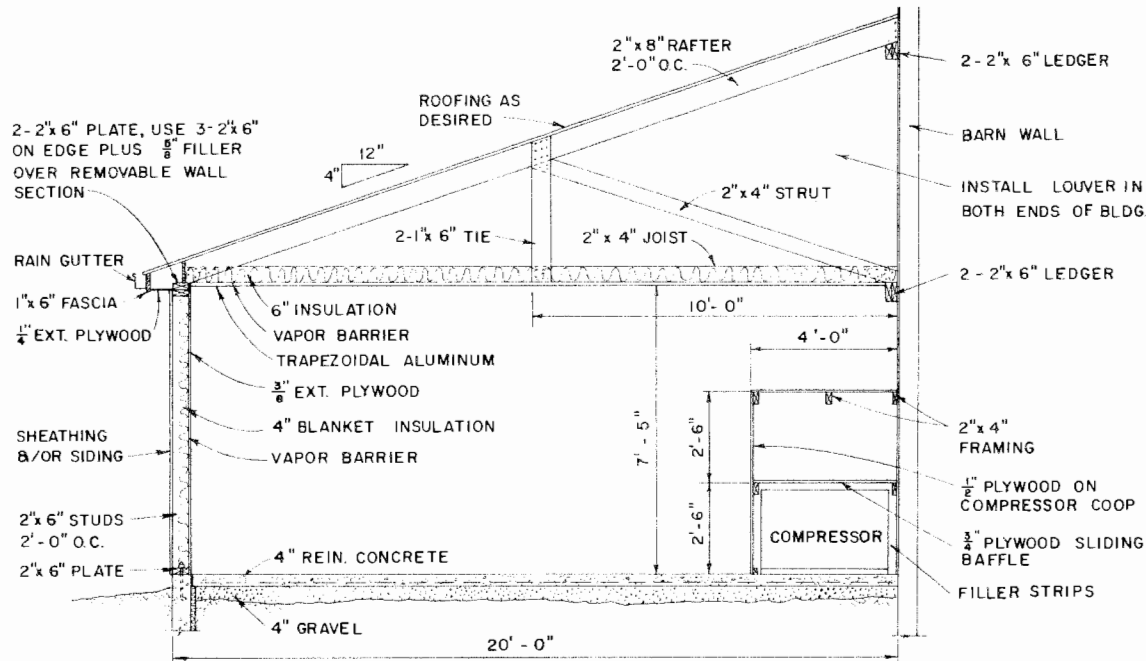
- DOOR SCHEDULE**
- (A) 3'-0" x 6'-8" DOUBLE ACTING SELF-CLOSING & FLYTIGHT
 - (B) 3'-0" x 6'-8" (3 REQ'D)
 - (C) 3'-0" x 6'-8" COMBINATION STORM-SCREEN DOOR
 - (D) 2'-0" x 6'-8"



PERSPECTIVE

DESIGNED BY:
W. W. IRISH
CORNELL UNIV.
PLAN NO. 836

LSU AgCenter <small>Research & Extension</small>			
MILKHOUSE			
N.Y.	'69	6078	SHEET 1 OF 2



SECTION THROUGH UTILITY ROOM WITH ALTERNATE SINGLE SLOPE ROOF

SCALE $\frac{3}{8}'' = 1'-0''$

DOUBLE 2x6 STUDS WITH $\frac{1}{8}''$ CLEARANCE TO FACILITATE REMOVAL

230 V. WEATHERPROOF RECEPTACLE FOR TRUCK MILK PUMP WITH SWITCH INSIDE

6" x 6" HOSE OPENING WITH SELF-CLOSING DOOR

4' x 16' x 4" REIN. CONC. SLAB

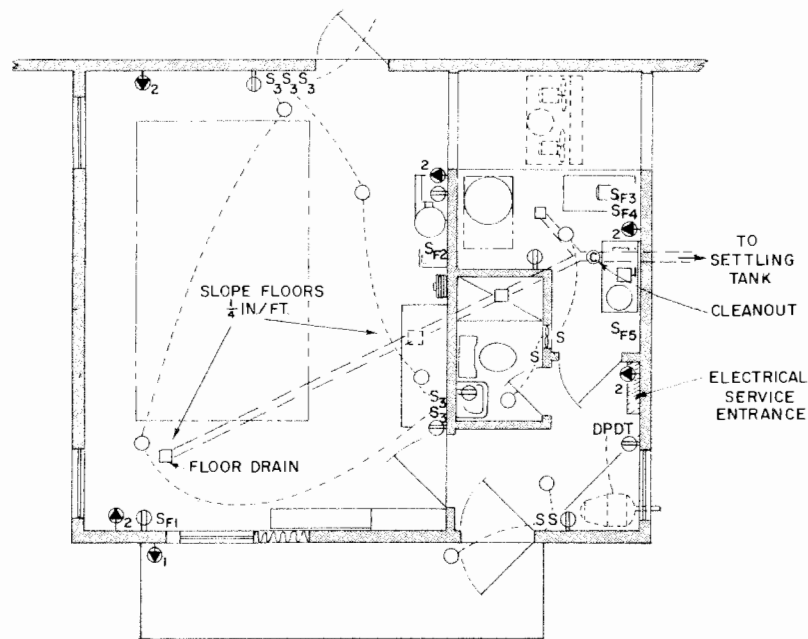
NOTE: A REMOVABLE 1"x4" TOP & BOTTOM PIECE IS USED TO REACH LAG SCREWS.

LAG BOTTOM PLATE TO TOP PLATE WITH $\frac{1}{8}''$ CLEARANCE, (NOTE CHANGE IN SINGLE SLOPE ROOF)

WINDOW OPENING

3/8" LAG SCREWS IN MASONRY ANCHORS

FRAMING DETAIL OF REMOVABLE WALL SECTION



WIRING & DRAINAGE LAYOUT

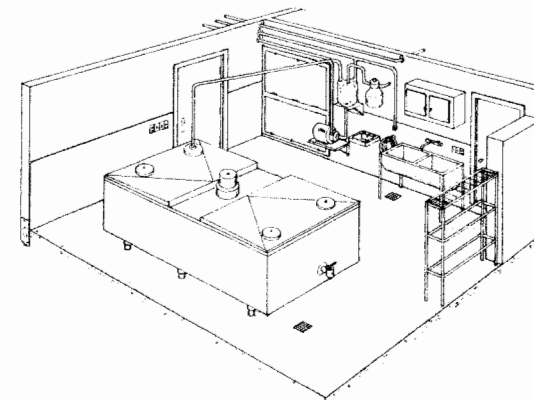
SCALE $\frac{1}{4}'' = 1'-0''$

ELECTRICAL SYMBOLS

- LIGHT OUTLET
- ⊕ DUPLEX CONVENIENCE OUTLET
- ⊕ 230 VOLT WEATHERPROOF OUTLET:
 1. MILK PUMP ON TRUCK
 2. SPACE HEATER (5 REQ'D)
- S_F 230 V. FUSED SWITCH FOR MOTOR PROTECTION:
 1. MILK PUMP ON TANK TRUCK
 2. MILK TRANSFER PUMP
 3. REFRIGERATION COMPRESSOR
 4. WATER PUMP
 5. VACUUM PUMP
- S SINGLE POLE SWITCH
- S₃ 3 WAY SWITCH
- DPDT DOUBLE-POLE, DOUBLE-THROW SWITCH FOR STAND-BY GENERATOR

NOTES:

1. THIS PLAN IS DESIGNED TO ACCOMMODATE THE LONGEST & WIDEST 1200 GALLON COMMERCIAL BULK MILK TANK.
2. SLOPE ALL FLOORS TO DRAINS $\frac{1}{4}''$ PER FOOT.
3. COMPLY WITH ALL LOCAL BUILDING, ELECTRICAL & SANITARY CODES.
4. CIRCUITS SERVICING MOTORS MUST HAVE OVERLOAD PROTECTION.
5. WATER HEATER OR WATER BOILER MUST BE WIRED THROUGH CIRCUIT BREAKER AT SERVICE ENTRANCE.
6. CHECK GRADE STAMPS FOR EXTERIOR PLYWOOD AND USE EXTERIOR GRADE OR MEDIUM DENSITY OVERLAY.
7. REMOVABLE WALL SECTION PROVIDES LARGE OPENING TO MOVE BULK TANK THROUGH.
8. PRE-FABRICATE ROOF FRAMING ON GROUND LEVEL.
9. THIS PLAN IS ACCEPTABLE TO:



INTERIOR PERSPECTIVE

LSU
AgCenter
Research & Extension

MILKHOUSE

N.Y. 69 6078 SHEET 2 OF 2

Disclaimer

This site makes available conceptual plans that can be helpful in developing building layouts and selecting equipment for various agricultural applications. These plans do not necessarily represent the most current technology or construction codes. They are not construction plans and do not replace the need for competent design assistance in developing safe, legal and well-functioning agricultural building system. The LSU Agriculture Center, the Mid-West Plan Service, the United States Department of Agriculture and none of the cooperating land-grant universities warranty these plans.