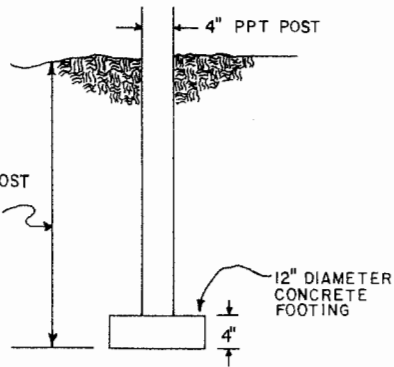
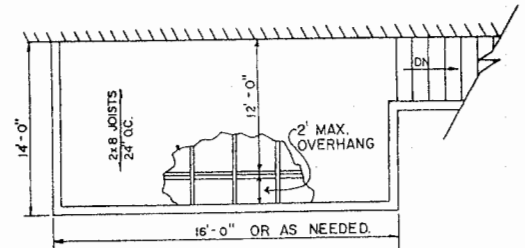
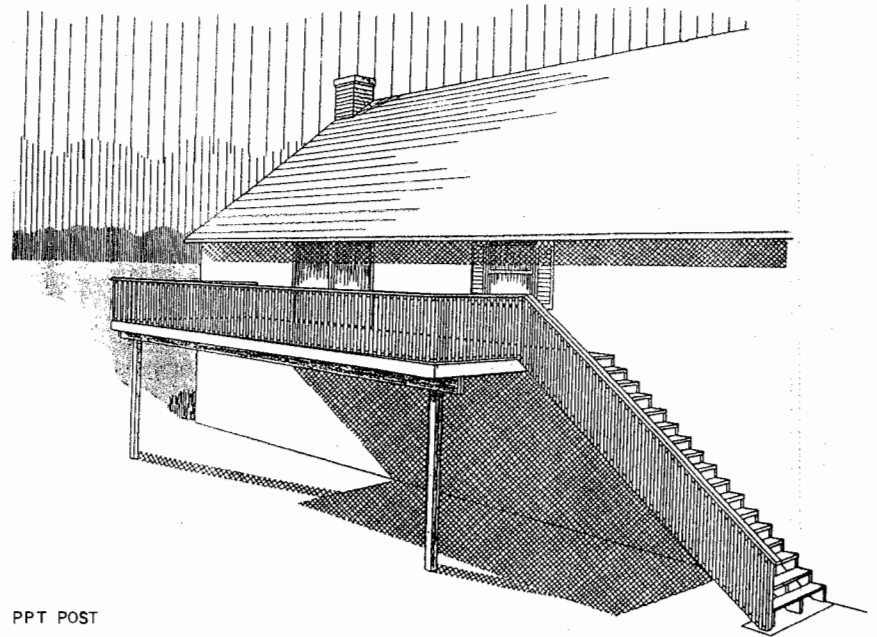


FRAMING ISOMETRIC
FOR JOIST SPANS (BEAM TO BEAM) OF 12' OR LESS



FOOTING DETAIL



NOTES:

1. THESE PLANS ARE DESIGNED TO SHOW BASIC DECK CONSTRUCTION, ASSUMING 50 lb/sq. ft. TOTAL LOAD -- A HOME USE STANDARD
2. THE BASIC MODULE (14' x 16') MAY BE SHORTENED OR EXTENDED ALONG THE 16' DIMENSION
3. REFER TO TABLE 1 WHEN SPANNING OTHER DISTANCES THAN SHOWN IN THIS PLAN
4. PRESSURE PRESERVATIVE (CCA) TREATED WOOD SHOULD BE USED. USE OF TREATED LUMBER FOR POSTS AND BEAMS AND REDWOOD FOR DECKING AND RAILS IS A POPULAR CHOICE
5. DECKS MAY BE OF ANY WEATHER RESISTANT MATERIAL THAT HAS ADEQUATE STRENGTH SUCH AS 23/32 INCH APA RATED STURO - I - FLOOR EXT. PLYWOOD. WEATHER RESISTANT PROTECTIVE COATINGS ARE RECOMMENDED. PRESSURE PRESERVATIVE TREATED, 1.5" THICK BOARDS ARE EXCELLENT EXCEPT THAT TREATMENT CHEMICAL MUST BE EPA APPROVED FOR THIS USE

NOTE:

- * THINNER WOOD DECKS REQUIRE CLOSER SPACING OF JOIST
- * SEE 6407 FOR STAIR AND RAILING DETAIL

TABLE 1

JOIST SIZE AND SPAN CHART

BOARD SIZE	#1 GRADE	#1 GRADE	#2 GRADE	#2 GRADE
	16" O.C.	24" O.C.	16" O.C.	24" O.C.
	MAX. SPAN	MAX. SPAN	MAX. SPAN	MAX. SPAN
2 x 6	9' - 9"	7' - 11"	8' - 7"	7' - 0"
2 x 8	12' - 10"	10' - 6"	11' - 4"	9' - 3"
2 x 10	16" - 5"	13' - 4"	14' - 6"	11' - 10"



ATTACHED PORCH DECK

MD 88 | 6406 | SHEET 1 OF 1

Disclaimer

This site makes available conceptual plans that can be helpful in developing building layouts and selecting equipment for various agricultural applications. These plans do not necessarily represent the most current technology or construction codes. They are not construction plans and do not replace the need for competent design assistance in developing safe, legal and well-functioning agricultural building system. The LSU Agriculture Center, the Mid-West Plan Service, the United States Department of Agriculture and none of the cooperating land-grant universities warranty these plans.