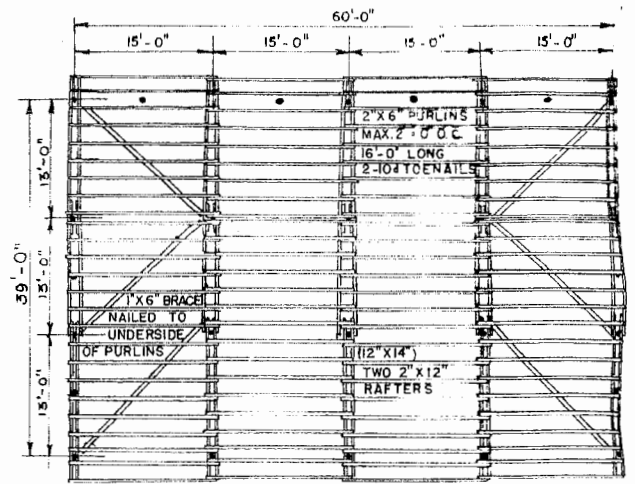
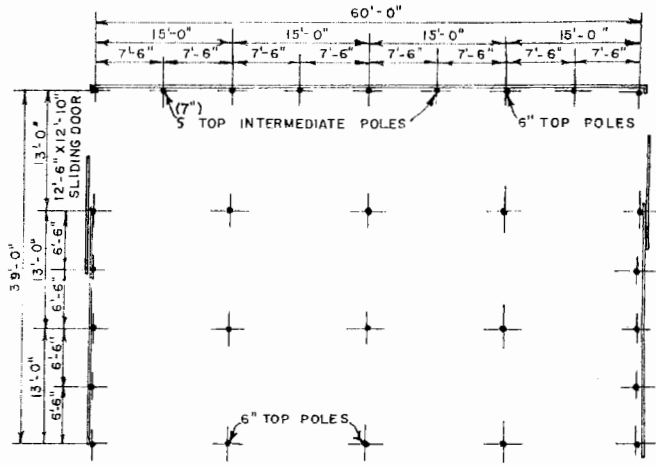


CROSS SECTION SCALE: 1/4" = 1'-0"

NOTE THIS BUILDING MAY BE BUILT IN ANY LENGTH DESIRED IN UNITS OF 15'-0" ALL POLES AND SPLASH BOARDS TO BE PRESSURE TREATED WITH PRESERVATIVE

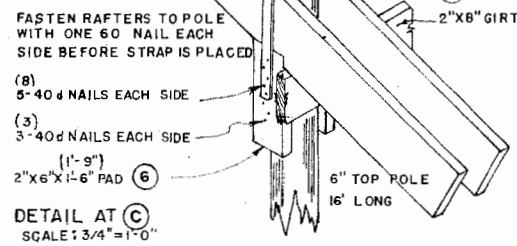
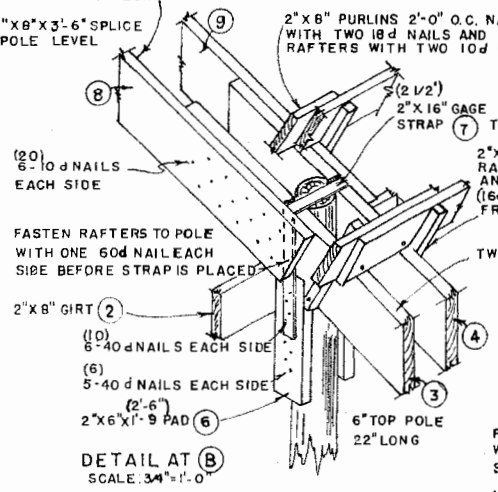
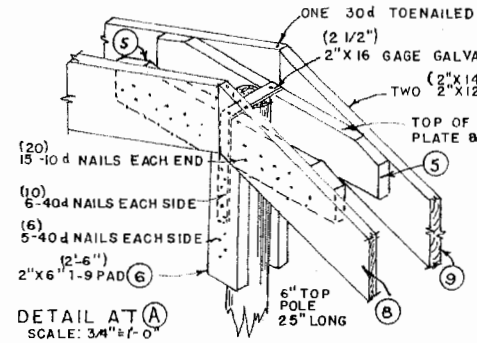


ROOF FRAMING PLAN SCALE: 3/32" = 1'-0"



FLOOR PLAN SCALE: 3/32" = 1'-0"

NOTE THIS BUILDING IS DESIGNED FOR AREAS OF THE UNITED STATES WHERE THE SNOW LOAD IS 20LB (OR 30 LB) PER SQUARE FOOT OR WIND DOES NOT EXCEED 88 (OR 108) MILES PER HOUR. FRAMING SIZE AND NAILS FOR 30LB. LOAD OR 108 MILE PER HOUR WIND SHOWN IN PARENTHESES



ASSEMBLY NOTE FIRST PUT UP GIRTS (1) AND (2) THEN NAIL RAFTERS (3) AND (4) TO POLES WITH A 60d NAIL AT EACH END. PLACE SPLICE PLATE (5) AND NAIL WITH 2-60d NAILS TO EACH SIDE OF RIDGE POLE. PLACE PADS (6) IN POSITION AND HOLD WITH 2-40 NAILS. FASTEN STRAPS (7) TO RAFTERS (3) AND (4) AND SPLICE PLATES (5) WITH 2-16d NAILS. COMPLETE NAILING OF PADS AND STRAPS. PLACE RAFTERS (8) AND (9) SECURE WITH 15-10d NAILS AT EACH END TO RAFTERS (3) AND (4) AND SPLICE PLATE (5). TOENAIL RAFTERS AT RIDGE WITH 2-16d AND 1-30d NAIL.

NOTE DRILL 3/16" HOLES THROUGH RAFTERS AND PADS FOR ALL 40 AND 60 NAILS AS SHOWN ON DRAWING

**LSU AgCenter**  
Research & Extension

**TYPE "B" POLE CONSTRUCTION 39' WIDTH**  
RIDGE CENTERED ON POLE ROW

ENGINEER	SCALE
DRAWN BY	SHEET 1 OF 1
TRACED BY JNC	DATE 10-27-66 NO 5831

## Disclaimer

This site makes available conceptual plans that can be helpful in developing building layouts and selecting equipment for various agricultural applications. These plans do not necessarily represent the most current technology or construction codes. They are not construction plans and do not replace the need for competent design assistance in developing safe, legal and well-functioning agricultural building system. The LSU Agriculture Center, the Mid-West Plan Service, the United States Department of Agriculture and none of the cooperating land-grant universities warranty these plans.