

THIS PLAN IS FOR A 28'x154' BUILDING HOUSING 117 GESTATION STALLS FOR SOWS, 9 STALLS FOR BOARS AND 5 PENS FOR GILTS READY FOR BREEDING AND YOUNG BOARS. THE BUILDING IS COMPLETELY FAN VENTILATED WITH BOTH VARIABLE SPEED AND SINGLE SPEED FANS, SUPPLEMENTAL HEAT IS PROVIDED TO MAINTAIN A MINIMUM WINTER TEMPERATURE OF 55° TO 60°. IN ADDITION, THE DESIGN CALLS FOR EVAPORATIVE COOLING PADS BE INSTALLED TO MODERATE THE EXTREME HOT SUMMER WEATHER. RESEARCH HAS SHOWN THAT CONCEPTION RATES CAN DROP BELOW 50% DURING LATE SUMMER IF THE PRODUCER DOES NOT TAKE STEPS TO KEEP HIS SOWS AND BOARS COOL. NEAR TOTAL CONTROL OF THE ENVIRONMENT SHOULD PREVENT MONTHLY VARIATIONS IN BREEDING PERFORMANCE FROM ENVIRONMENTAL CAUSES.

THE PLAN CALLS FOR GESTATION STALLS FOR THE SOWS AND BOAR, RESEARCH HAS SHOWN THAT ANIMALS REMAIN PRODUCTIVE LONGER WHEN CONFINED TO STALLS. THE PRODUCER CAN BETTER CONTROL FEED INTAKE AND SHOULD HAVE FEWER PROBLEMS THAT ARE NORMALLY ASSOCIATED WITH FIGHTING AND GROUP HANDLING OF SOWS.

THE BREEDING AREA IS DESIGNED TO ACCOMMODATE HAND MATING WITH A MINIMUM OF LABOR, EACH ESTRUS SOW IS BACKED FROM HER STALL INTO THE BREEDING AREA IMMEDIATELY BEHIND HER.

THE BREEDING AREA IS GATED SO THAT 5 MATINGS MAY TAKE PLACE AT ONCE. IT SHOULD BE VERY SIMPLE FOR A PRODUCER TO EXPOSE EVERY SOW WITHIN A GROUP TO A BOAR TWICE DAILY FROM WEANING UNTIL MATING. THE NUMBER OF BOAR STALLS MAY SEEM EXCESSIVE; HOWEVER, DIRECT BOAR-SOW CONTACT SHOULD HASTEN THE ONSET OF ESTRUS AND MANY BREEDING PROBLEMS OBSERVED IN THE FIELD HAVE BEEN DUE TO INSUFFICIENT BOAR POWER.

#### ELECTRICAL POWER OUTAGES:

SERIOUS PROBLEMS CAN BE ENCOUNTERED IN TOTALLY ENCLOSED SWINE BUILDING DURING AN ELECTRICAL POWER OUTAGE, WHEN THE VENTILATION FANS STOP. TO AVOID POSSIBLE PROBLEMS AN ENCLOSED SWINE BUILDING SHOULD BE EQUIPPED WITH AN AUTOMATIC WARNING SYSTEM TO ALERT YOU WHEN A POWER FAILURE HAS OCCURRED AND A STANDBY ELECTRICAL GENERATOR SHOULD BE AVAILABLE.

#### THERMOSTAT ADJUSTMENT:

THE THERMOSTAT SETTINGS GIVEN ABOVE ALLOW THE BUILDING TEMPERATURE TO VARY FROM A MINIMUM OF 60°F IN THE WINTER TO A MAXIMUM OF 85°F IN THE SUMMER.

#### THERMOSTAT

	<u>NORMAL SETTING</u>
FAN B (LOW TEMPERATURE CUT OFF)	55°F
HEATER	60°F
FAN B (SET POINT ON VARIABLE SPEED CONTROLLER)	65°F
FAN A	70°F
FAN C	75°F
COOLING PAD PUMP AND MOTORIZED SHUTTER	80°F

NOTE: CHECK THE AIR TEMPERATURE AT THE LEVEL OF THE PIGS AND ADJUST THE THERMOSTATS IF YOUR READING IS SUBSTANTIALLY DIFFERENT FROM THE DESIRED TEMPERATURE. DOES NOT APPLY TO COOLING PAD PUMP THERMOSTAT.

#### WASTE STORAGE REQUIREMENTS:

0.50 CUBIC FEET OF STORAGE PER DAY PER SOW  
THIS FACILITY PROVIDES 30 DAYS OF MANURE STORAGE PER USEFUL FOOT OF PIT DEPTH; 90 DAYS STORAGE TOTAL.

NOTE: TWO FEET OF PIT DEPTH IS GENERALLY NOT CONSIDERED USABLE STORAGE VOLUME, BECAUSE SOME OF THE SOLIDS ARE NOT REMOVED DURING CLEANING AND THE LIQUID LEVEL SHOULD NOT BE ALLOWED WITHIN ONE FOOT OF THE BOTTOM OF THE SLATS.

#### DESIGN VENTILATION RATES AND SUPPLEMENTAL HEAT:

MINIMUM 15 CFM PER SOW  
MAXIMUM 210 CFM PER SOW  
SUPPLEMENTAL HEAT 420 BTU PER HOUR PER SOW

#### FEED AND WATER REQUIREMENTS:

FEED : 4 # PER SOW PER DAY = 4200# TOTAL PER WEEK  
WATER : 4.5 GAL PER DAY PER SOW  
675 GAL PER DAY TOTAL  
MINIMUM PUMPING RATE : 8 GAL PER MINUTE

#### WATER LINES:

WATER LINES ARE GENERALLY INSTALLED BY ATTACHING THEM BELOW THE CEILING.

#### SLATS:

SLOT OPENING : 1 INCH  
SLAT TOP WIDTH : 5 INCH MAXIMUM

#### ESTIMATED MATERIAL LIST:

1/2" EXT. PLYWOOD	228 PC.
3/8" EXT. PLYWOOD	10 PC.
LUMBER (EXCLUDING TRUSSES)	3642 B.F.
28' TRUSSES (4/12 PITCH)	78
6" LIGHT WEIGHT CONCRETE BLOCK	1620
8" STANDARD WEIGHT CONCRETE BLOCK	2046
12" STANDARD WEIGHT CONCRETE BLOCK	1848
CONCRETE (FLOOR, FOOTINGS & BLOCK FILL)	140 YDS.
6" INSULATION (CEILING & WALLS)	5768 SQ. FT.
10' SLATS	1530 SQ. FT.
METAL ROOFING & SIDING	7000 SQ. FT.
6' SLATS	918 SQ. FT.

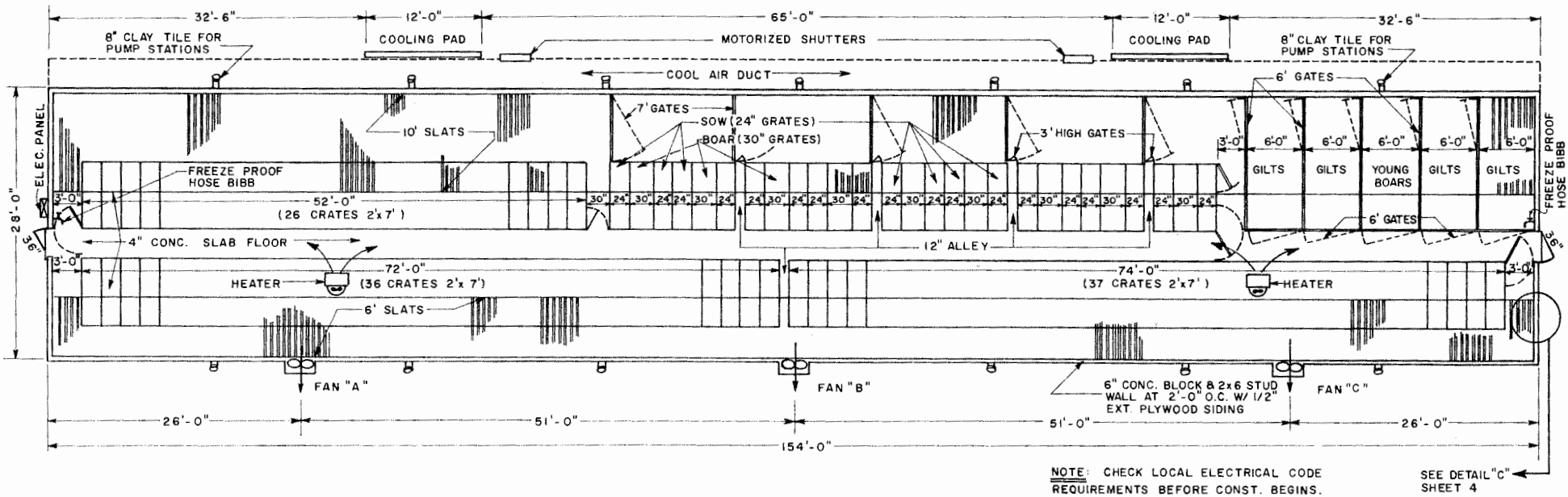
#### COOLING PAD SYSTEM:

IT IS IMPORTANT THAT YOU CONTACT THE PAD MANUFACTURER FOR DETAILED DESIGN ASSISTANCE AND PROPER INSTALLATION PROCEDURE.

**LSU**  
**AgCenter**  
Research & Extension

SWINE BREEDING &  
GESTATION BUILDING

KY. '80 EX. 6333 SHEET 1 OF 4



FLOOR PLAN , ELECTRIC , PLUMBING , HEATING , COOLING & VENTILATION LAYOUT SCALE: 1/8" = 1'-0"

**FAN TYPE AND RATING:**

FAN	TYPE	CFM RATING AT 1/8 INCH STATIC PRESSURE
FAN A	SINGLE SPEED	10,000
FAN B	VARIABLE SPEED	2,100 - 10,000
FAN C	SINGLE SPEED	10,000

**SUPPLEMENTAL HEATERS:**

MINIMUM REQUIREMENT: 120,000 BTU PER HOUR OR 34 KW TOTAL  
60,000 BTU PER HOUR PER HEATER OR 17 KW

HEATER FANS SHOULD PROVIDE A 30 FT. THROW AND  
HAVE A FLOW DIVIDER INSTALLED IN THE OUTLET.

**COOLING PAD:**

CONSULT MANUFACTURER

**MOTORIZED SHUTTER:**

MINIMUM REQUIREMENT: ONE SQUARE FOOT OF SHUTTER OPENINGS  
PER SQUARE FOOT OF FAN OPENING.

**THERMOSTATS:**

THERMOSTAT	TYPE (FOR LINE VOLTAGE APPLICATIONS)
HEAT	OPEN ON RISE
FAN A	CLOSE ON RISE
FAN B	SOLID STATE CONTROL, WITH MINIMUM CUTOFF
FAN C	CLOSE ON RISE
COOLING PAD PUMPS	DUAL ACTION (SINGLE POLE DOUBLE THROW)
MOTORIZED SHUTTER	DUAL ACTION (SINGLE POLE DOUBLE THROW)

THERMOSTAT LOCATION: NEAR CENTER OF BUILDING AS LOW AS POSSIBLE  
BUT OUT OF ANIMAL REACH. NOT IN A DIRECT LINE  
WITH THE HEATER OUTPUT

**FAN, HEATER, COOLING PAD PUMP, AND MOTORIZED SHUTTER  
OPERATING SEQUENCE, AND BAFFLE SETTING:**

INSIDE TEMPERATURE	FAN A	FAN B	FAN C	HEATER	BAFFLE SETTING
ABOVE 75°	ON	MAXIMUM	ON	OFF	SEE BELOW
75° - 70°	ON	MAXIMUM	OFF	OFF	1"
70° - 60°	OFF	VARIABLE	OFF	OFF	1/2" - 1/8"
BELOW 60°	OFF	MINIMUM	OFF	ON	1/8"

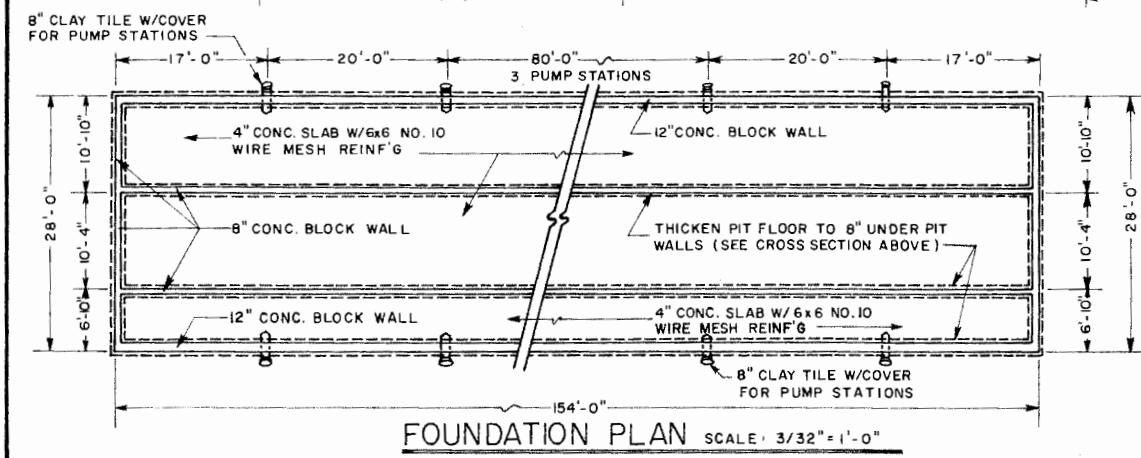
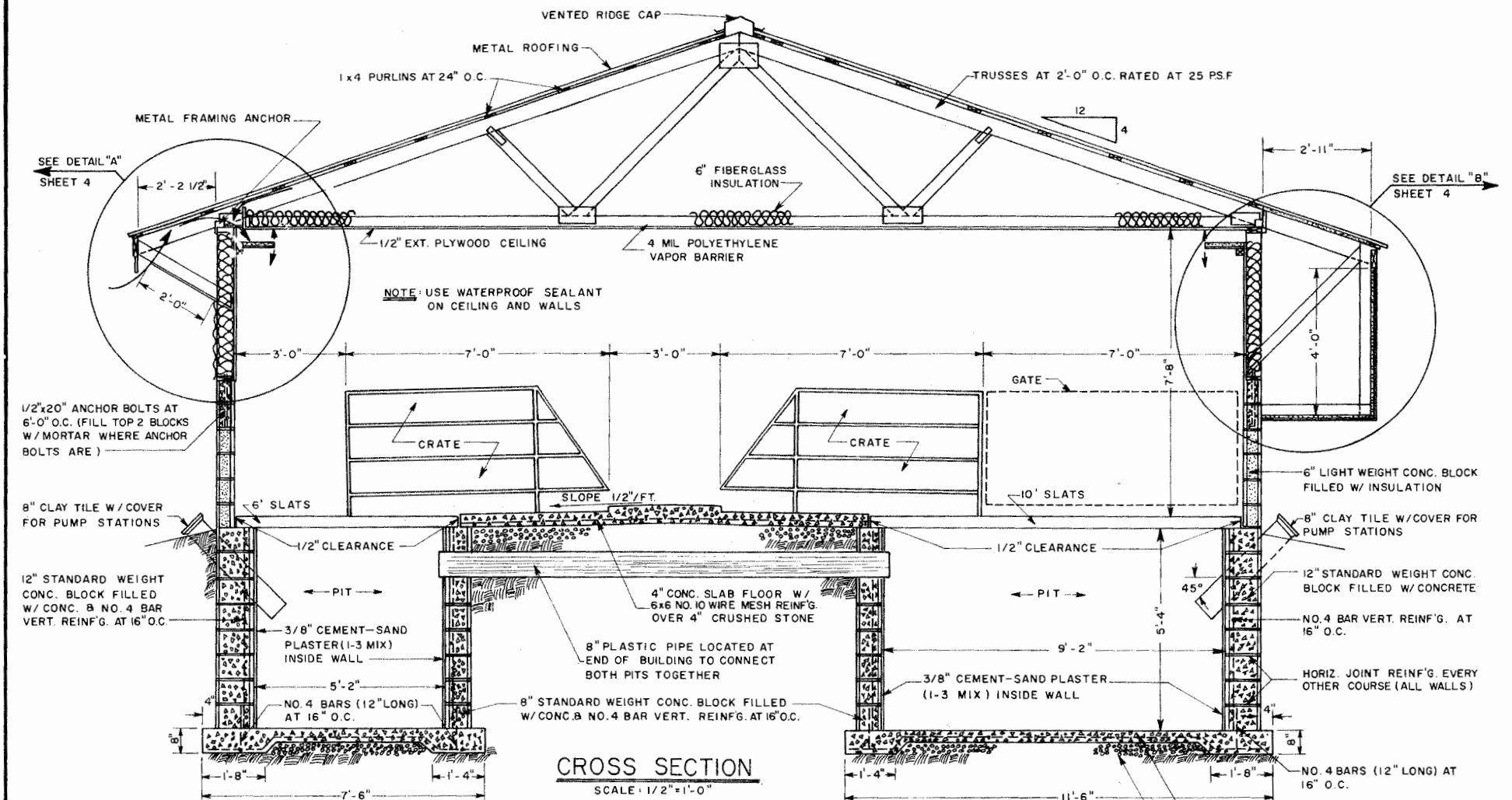
OUTSIDE TEMPERATURE	MOTORIZED SHUTTERS	COOLING PAD PUMP	ADJACENT TO PAD	ADJACENT TO FANS
ABOVE 80°	CLOSED	ON	4"	CLOSED
BELOW 80°	OPEN	OFF	1 3/4"	1 3/4"

\* THE COOLING PAD PUMP AND MOTORIZED SHUTTER THERMOSTAT SHOULD BE  
INSTALLED OUTSIDE IN A LOCATION PROTECTED FROM DIRECT SUNLIGHT AND  
RAIN

**LSU**  
**AgCenter**  
Research & Extension

**SWINE BREEDING &  
GESTATION BUILDING**

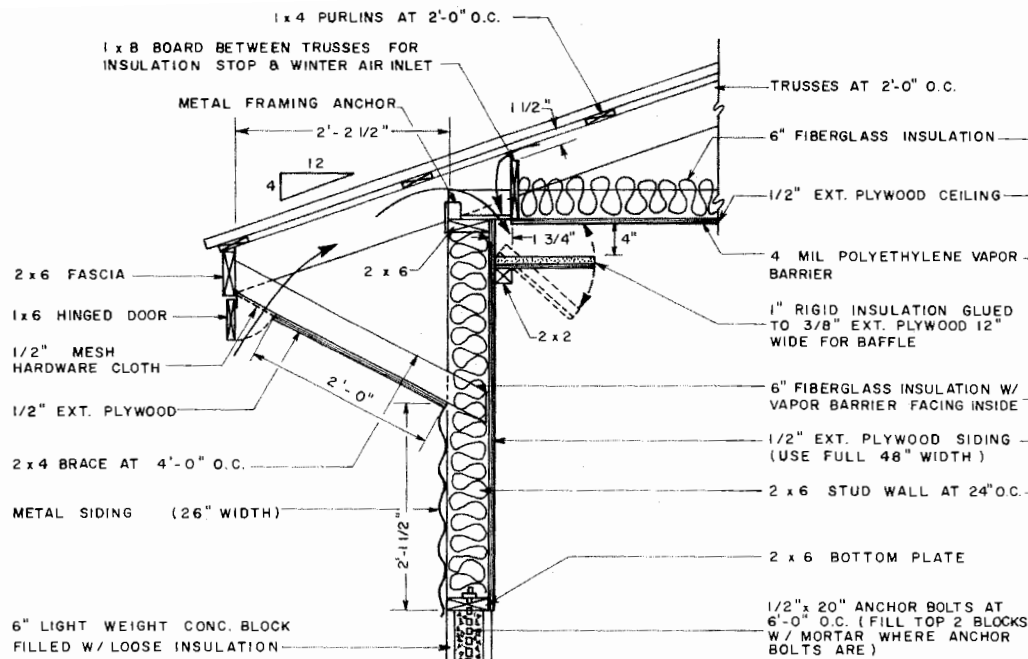
KY. '80	EX. 6333	SHEET 2 OF 4
---------	----------	--------------



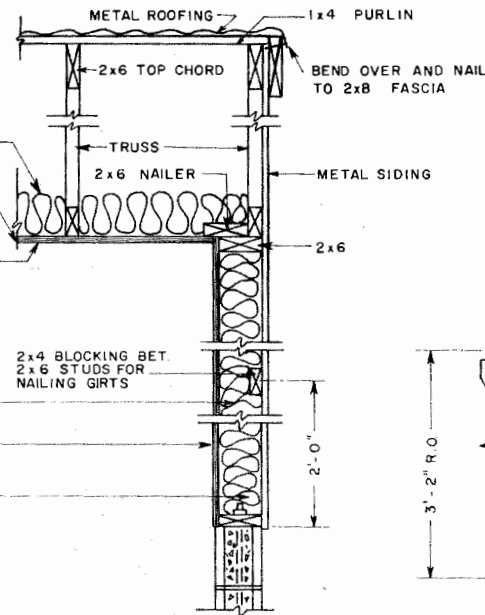
**LSU**  
**AgCenter**  
Research & Extension

**SWINE BREEDING & GESTATION BUILDING**

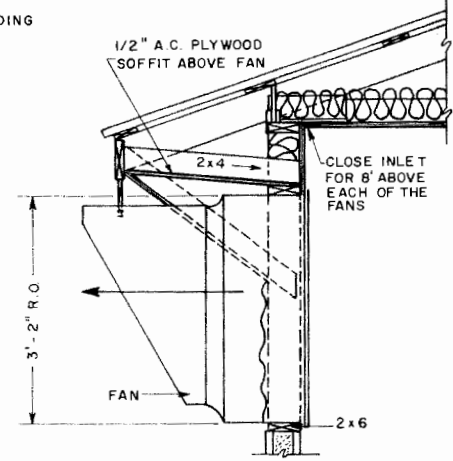
KY. '80	EX. 6333	SHEET 3 OF 4
---------	----------	--------------



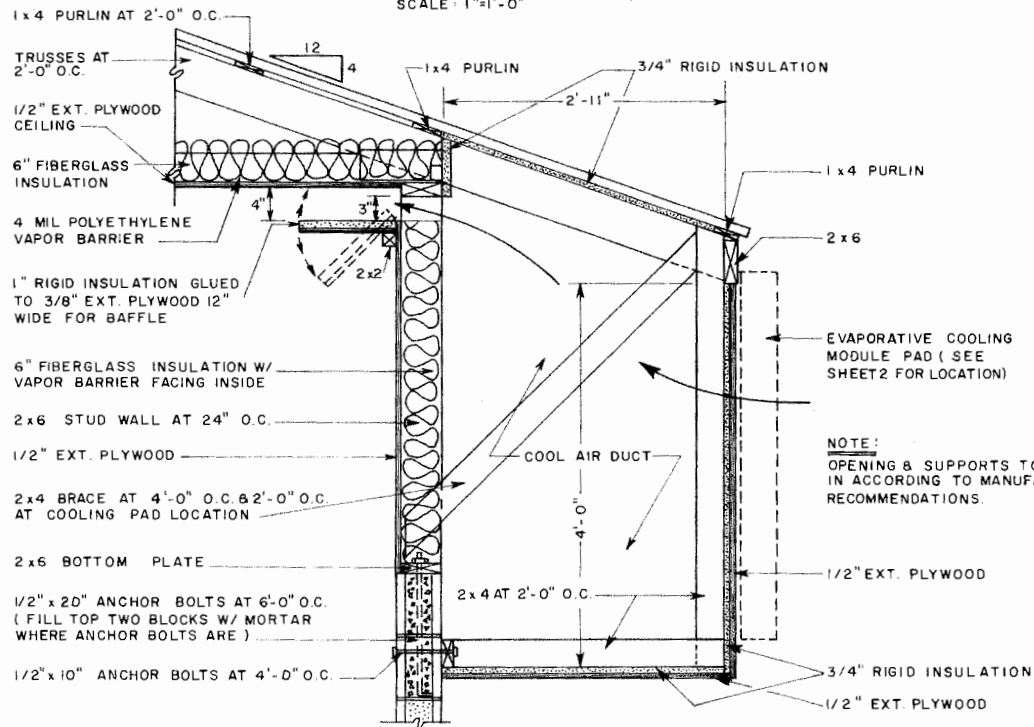
**DETAIL "A"**  
SCALE: 1"=1'-0"



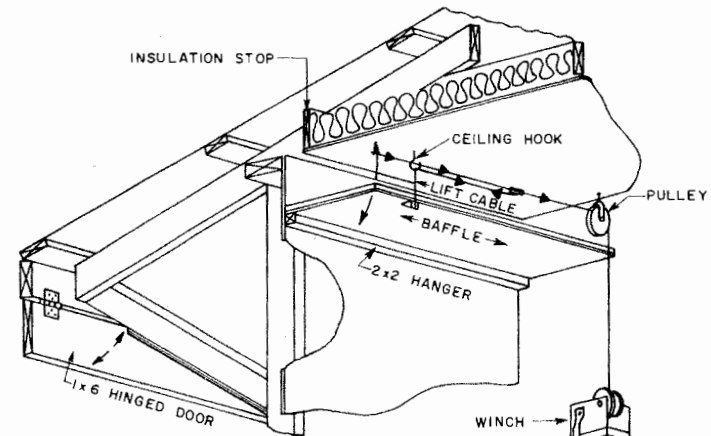
**END WALL  
DETAIL "C"**  
SCALE: 1"=1'-0"



**CROSS SECTION AT FAN**  
SCALE: 3/4"=1'-0"



**DETAIL "B"**  
SCALE: 1"=1'-0"



**DETAIL FOR BAFFLE INSTALLATION**  
N.T.S.

**NOTE:**  
OPENING & SUPPORTS TO BE  
IN ACCORDING TO MANUFACTURER  
RECOMMENDATIONS.



**SWINE BREEDING &  
GESTATION BUILDING**

KY. '80 EX. 6333 SHEET 4 OF 4

## Disclaimer

This site makes available conceptual plans that can be helpful in developing building layouts and selecting equipment for various agricultural applications. These plans do not necessarily represent the most current technology or construction codes. They are not construction plans and do not replace the need for competent design assistance in developing safe, legal and well-functioning agricultural building system. The LSU Agriculture Center, the Mid-West Plan Service, the United States Department of Agriculture and none of the cooperating land-grant universities warranty these plans.