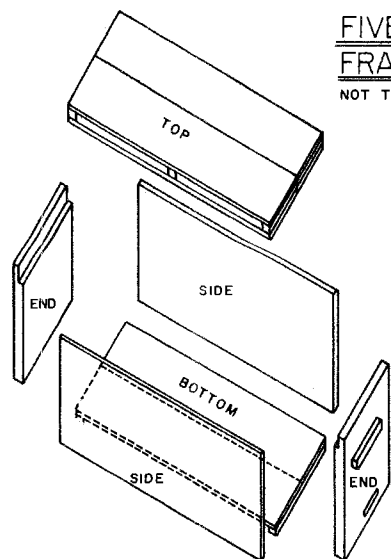


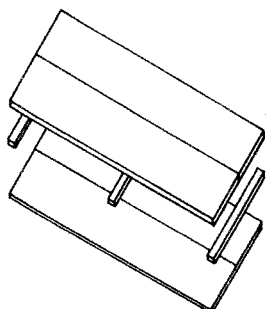
FIVE DEEP BROOD FRAME HIVE

NOT TO SCALE



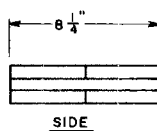
EXPLODED ISOMETRIC VIEW

NOT TO SCALE

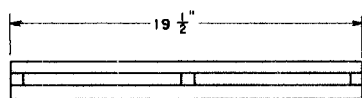


EXPLODED VIEW OF TOP

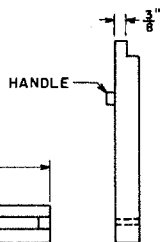
NOT TO SCALE



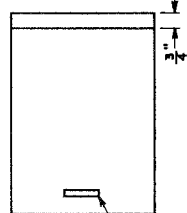
SIDE



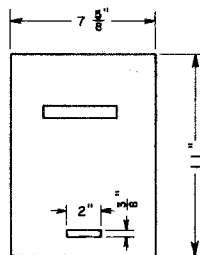
END



SIDE



ENTRANCE
INSIDE



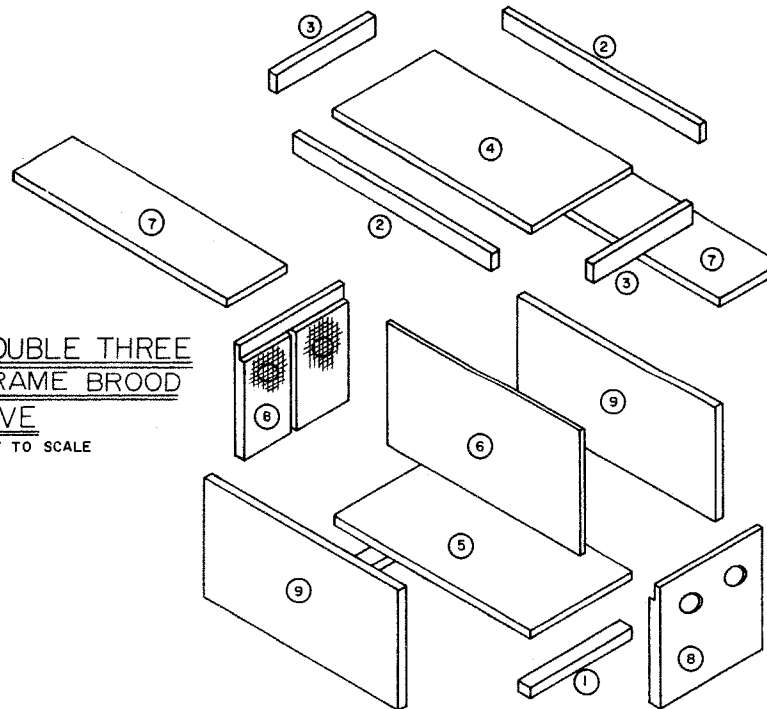
OUTSIDE

VIEW OF TOP

VIEW OF END

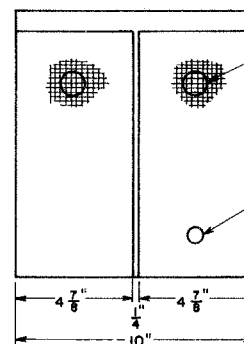
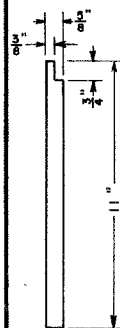
DOUBLE THREE FRAME BROOD HIVE

NOT TO SCALE



EXPLODED ISOMETRIC VIEW

NOT TO SCALE



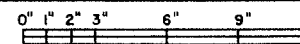
1" DIA. VENT
SCREENED

1/2" DIA. ENTRY

PART NO. 8 - END

SCALE: 3" = 1'-0"

PART NO.	LOCATION	SIZE
1	BOTTOM SUPPORT	1 1/2" x 10" x 3/4"
2	TOP RAIL	1 1/2" x 19 1/2" x 3/4"
3	TOP RAIL	1 1/2" x 12 1/2" x 3/4"
4	TOP	11 1/2" x 19 1/2" x 5/8"
5	BOTTOM	10" x 18 1/2" x 5/8"
6	DIVIDER	10 3/8" x 18 7/8" x 1/2"
7	INTER-TOP	4 7/8" x 18 1/2" x 1/2"
9	SIDE	11" x 19 1/2" x 5/8"



SCALE: 3" = 1'-0" UNLESS OTHERWISE NOTED

NOTE:

- PART NO. 6 AND NO. 7 TO BE REMOVABLE, DO NOT GLUE OR NAIL.
- PARTS NO. 1, 2 AND 3 MADE FROM 1x2 PINE OR CYPRESS.
- PART NO. 6 MADE FROM 1/8" EXT. A-A PLYWOOD.
- ALL OTHER PARTS OF 3/8" EXT. A-A PLYWOOD.
- TREAT ALL PARTS WITH PENTA SOLUTION.

NOTE: BASED ON UNIV. OF FLA. PLAN NOS. 907 AND 924-R

LSU
AgCenter
Research & Extension

5 8 6 DEEP BROOD HIVE

EX. 6327

SHEET 1 OF 1

Disclaimer

This site makes available conceptual plans that can be helpful in developing building layouts and selecting equipment for various agricultural applications. These plans do not necessarily represent the most current technology or construction codes. They are not construction plans and do not replace the need for competent design assistance in developing safe, legal and well-functioning agricultural building system. The LSU Agriculture Center, the Mid-West Plan Service, the United States Department of Agriculture and none of the cooperating land-grant universities warranty these plans.