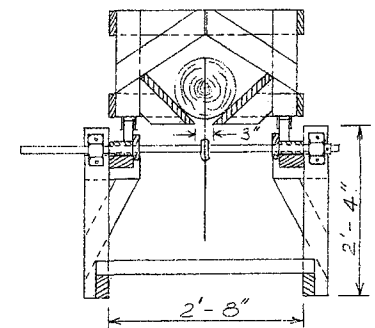
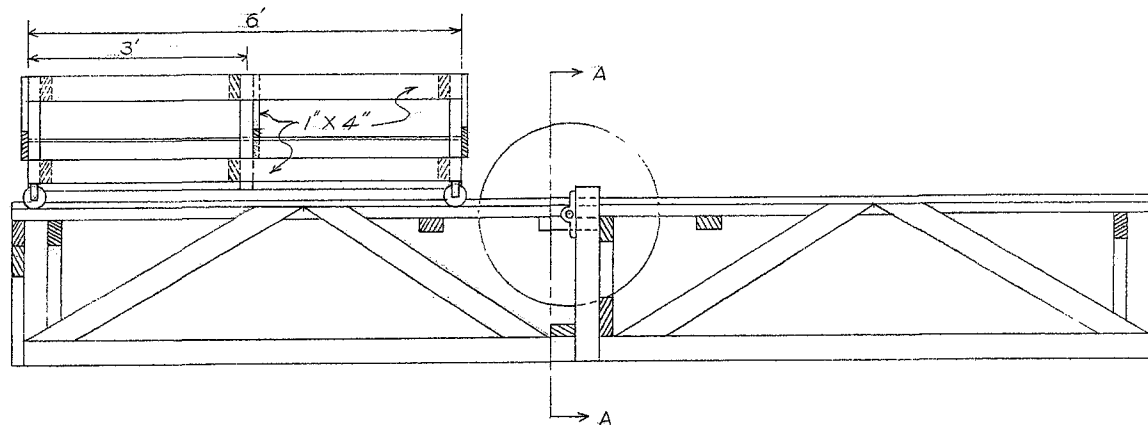
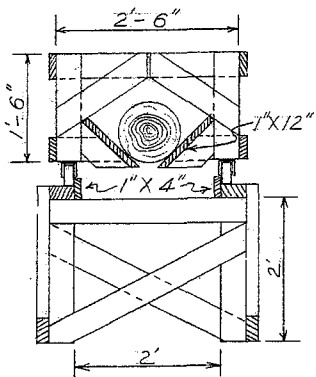
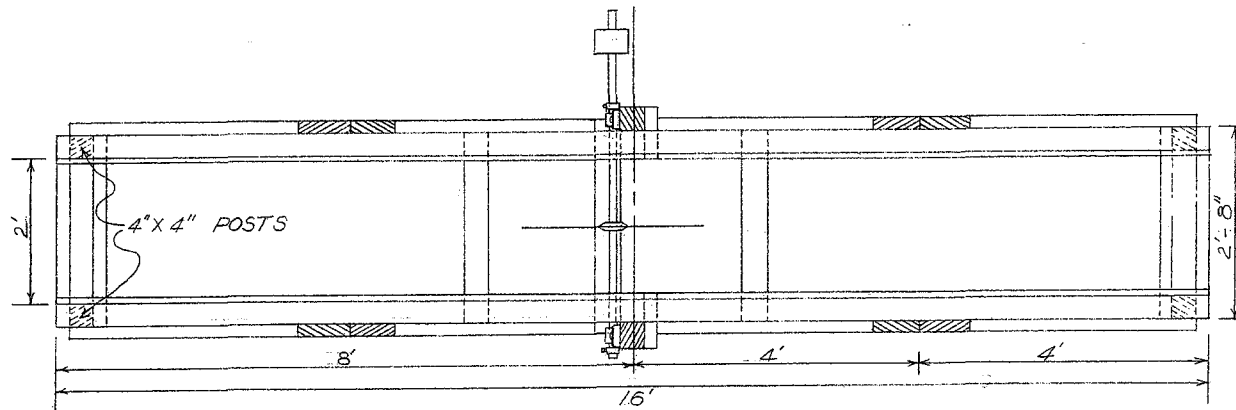


NOTE

1. CONSTRUCTED OF 2"X4"'S EXCEPT WHERE OTHERWISE NOTED.
2. USE 30" SAW, RUN AT 300 R.P.M.
3. VARY SIZE OF DRIVING PULLEY IN ORDER TO OBTAIN 800 R.P.M.
4. USE PRESSURE LUBRICATED BEARINGS.



SECTION A A



POST SPLITTING MACHINE

ENGINEER M. M. MAYEUX	SCALE $\frac{3}{8}'' = 1'-0''$
DRAWN BY B. E. HICKMAN	SHEET 1 OF 1
TRACED BY B. E. H.	JAN., 1952 NO. 42-8

Disclaimer

This site makes available conceptual plans that can be helpful in developing building layouts and selecting equipment for various agricultural applications. These plans do not necessarily represent the most current technology or construction codes. They are not construction plans and do not replace the need for competent design assistance in developing safe, legal and well-functioning agricultural building system. The LSU Agriculture Center, the Mid-West Plan Service, the United States Department of Agriculture and none of the cooperating land-grant universities warranty these plans.