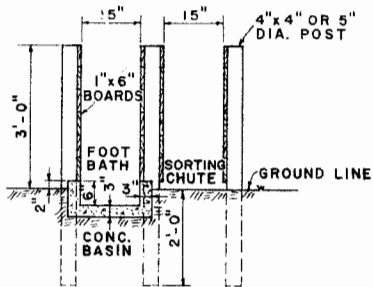
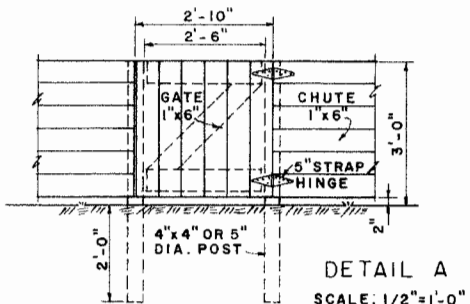


PLAN NO. 1
SCALE: 1/4"=1'-0"

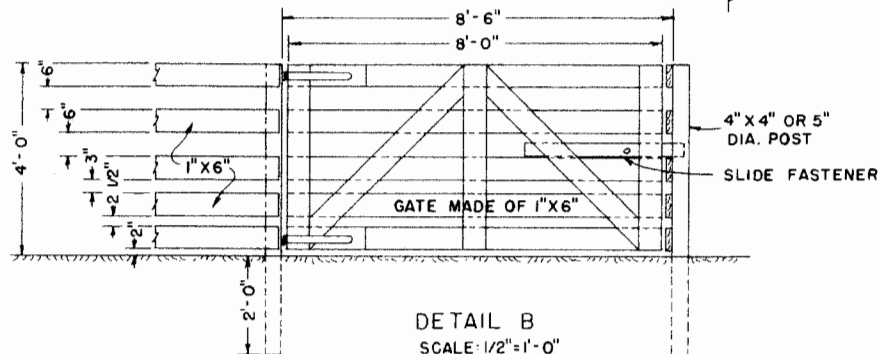


SECTION A-A
SCALE: 1/2"=1'-0"

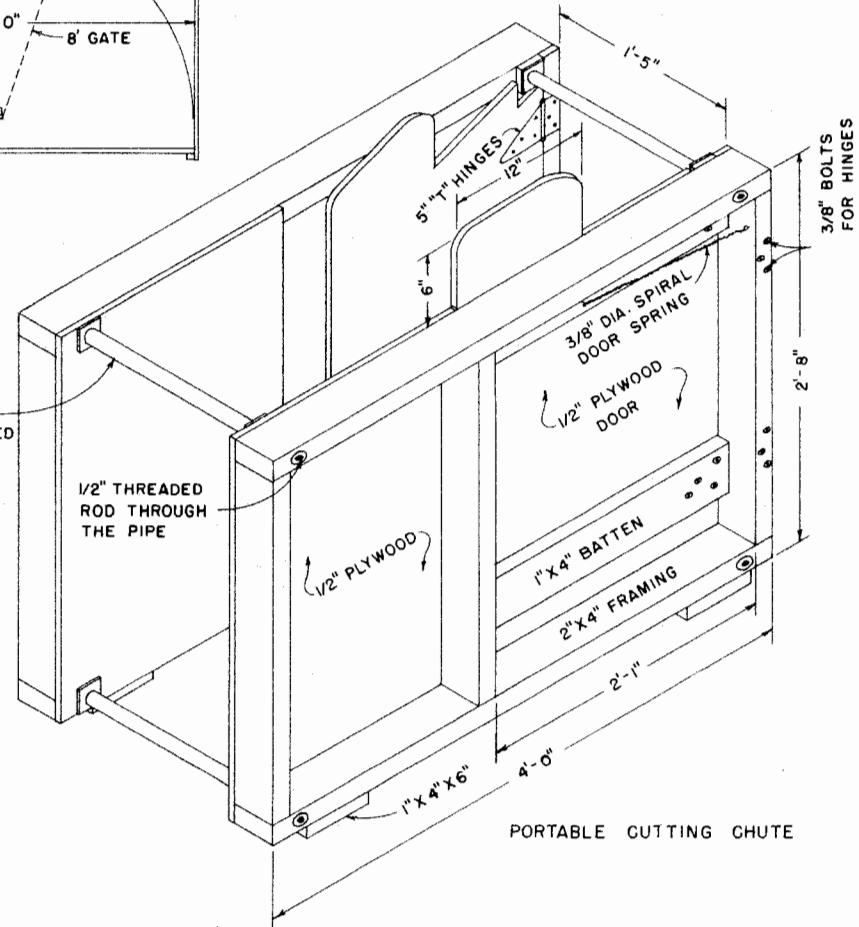
NOTE:
1. ALL WOOD NEAR OR IN CONTACT WITH THE GROUND SHOULD BE PRESSURE TREATED.



DETAIL A
SCALE: 1/2"=1'-0"



DETAIL B
SCALE: 1/2"=1'-0"



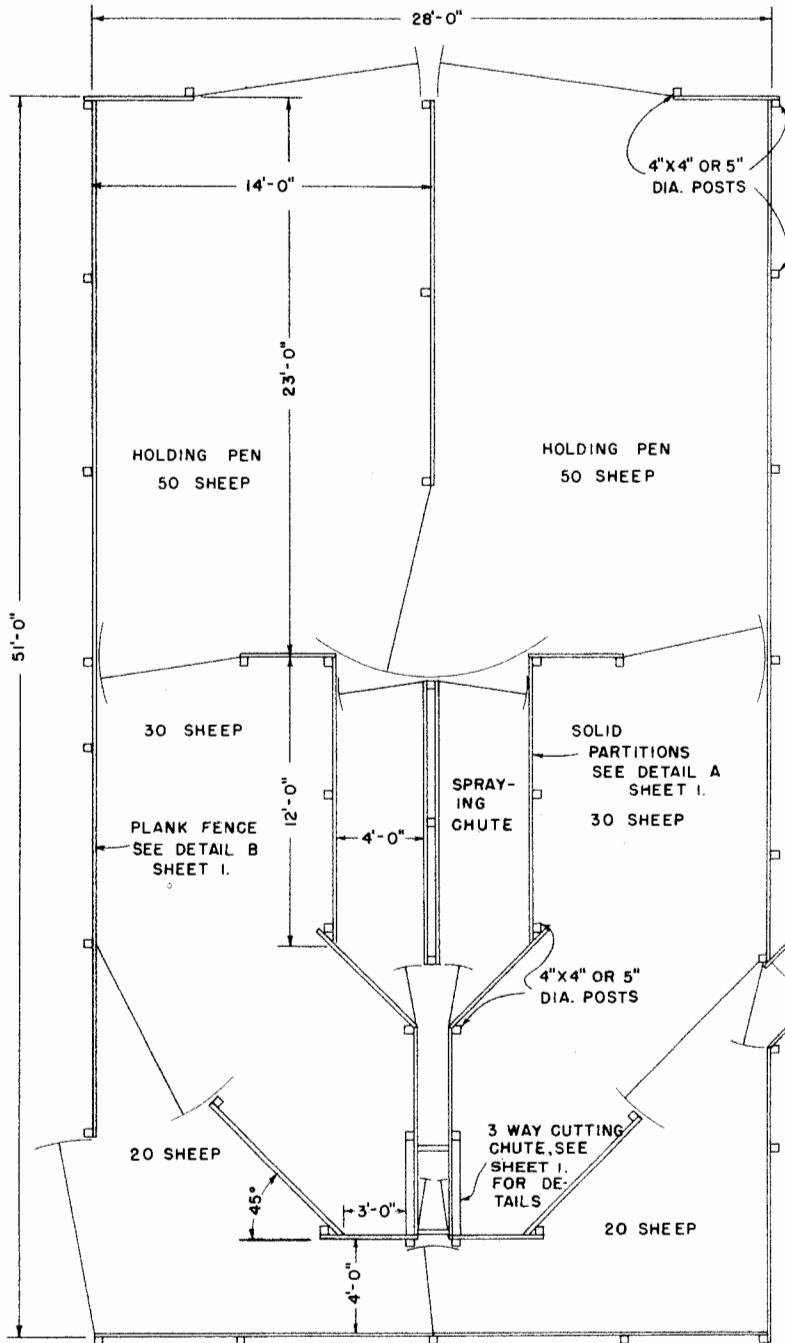
PORTABLE CUTTING CHUTE

BASED ON: V.R.I.-VA. PLANS E.1.18, 1.19, 1.20
USDA PLAN 5924

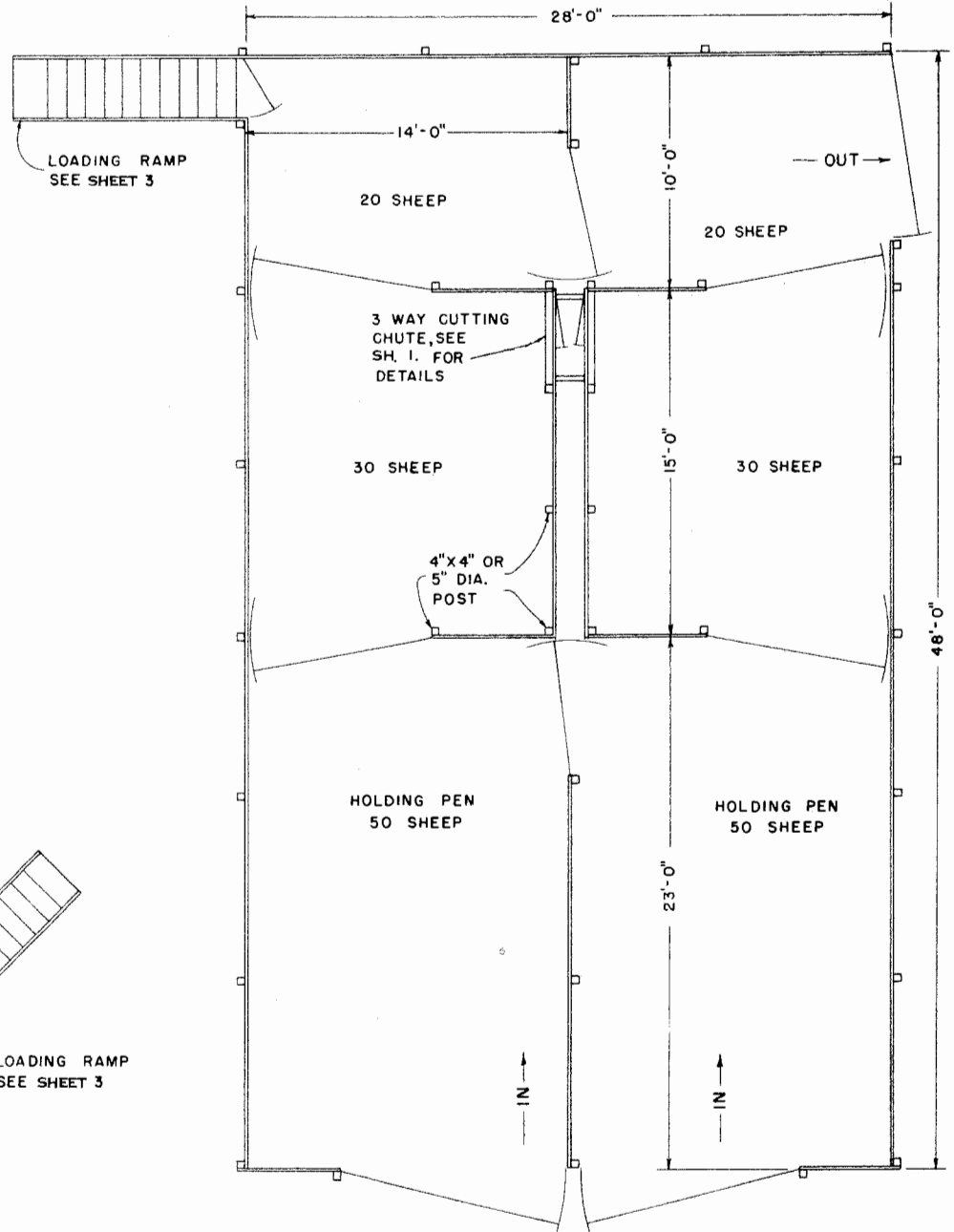


CORRALS FOR SHEEP

USDA-VA 67 EX 6019 SHEET 1 OF 3



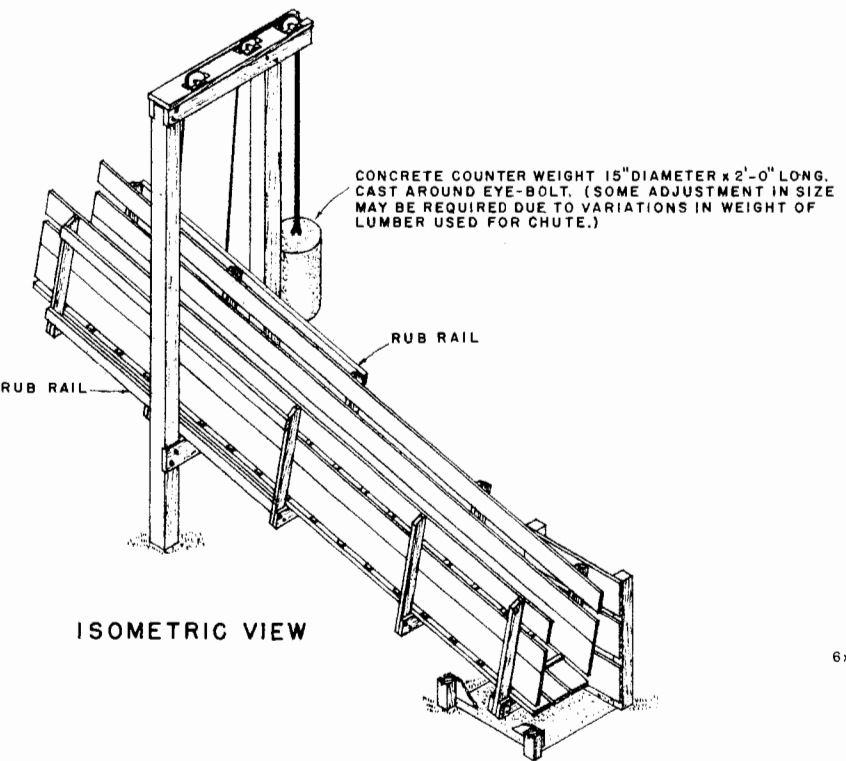
PLAN NO. 2
SCALE: 1/4" = 1'-0"



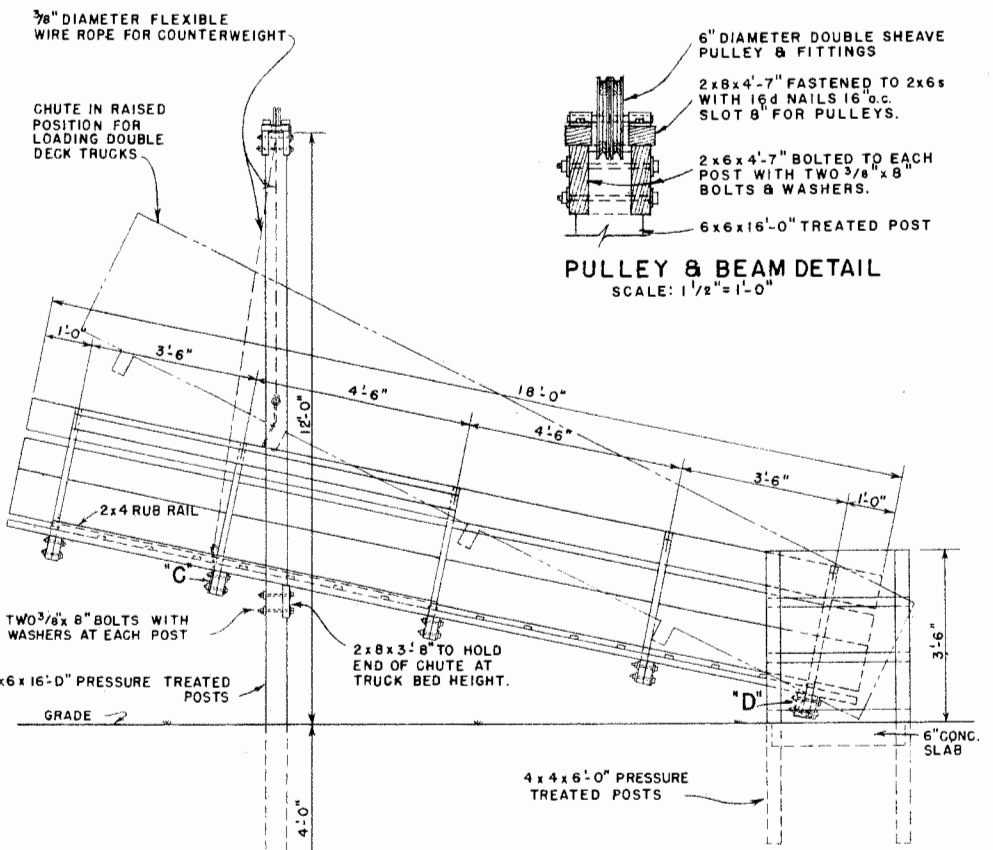
PLAN NO. 3
SCALE: 1/4" = 1'-0"



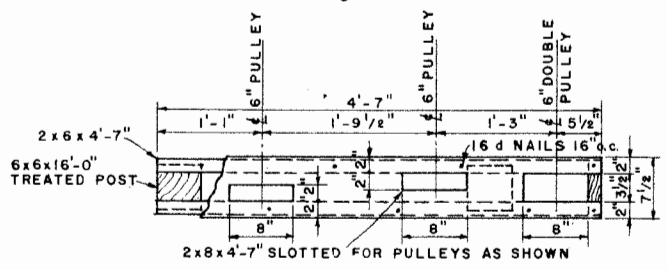
CORRALS FOR SHEEP



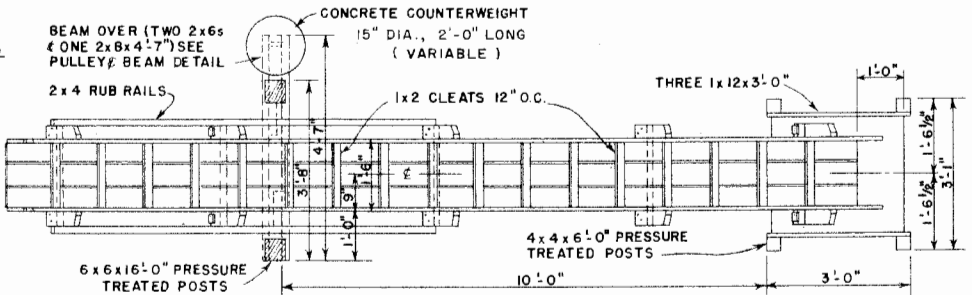
ISOMETRIC VIEW



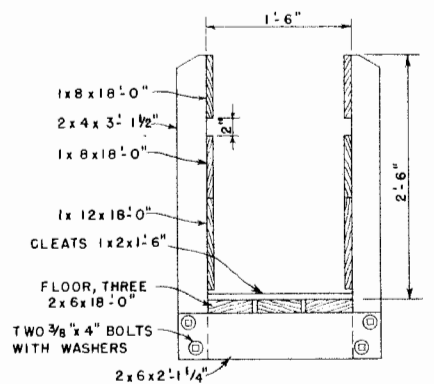
ELEVATION
SCALE: 1/2" = 1'-0"



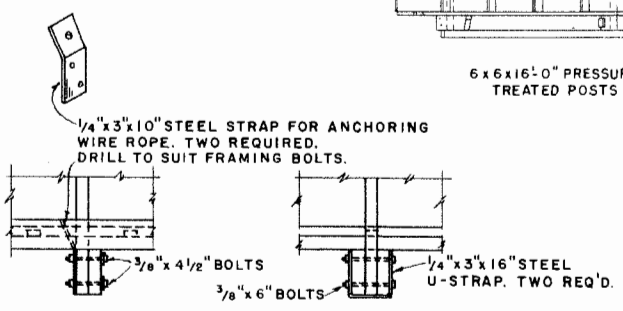
PLAN OF BEAM
SCALE: 1" = 1'-0"



PLAN VIEW
SCALE: 1/2" = 1'-0"



TYPICAL CROSS SECTION THRU CHUTE



DETAIL AT C DETAIL AT D

SCALE: 1" = 1'-0"

NOTE: DRESSED LUMBER TO BE USED THRU-OUT.

LSU
AgCenter
Research & Extension

CORRALS FOR SHEEP

USDA-VA.67 EX. 6019 SHEET 3 OF 3

Disclaimer

This site makes available conceptual plans that can be helpful in developing building layouts and selecting equipment for various agricultural applications. These plans do not necessarily represent the most current technology or construction codes. They are not construction plans and do not replace the need for competent design assistance in developing safe, legal and well-functioning agricultural building system. The LSU Agriculture Center, the Mid-West Plan Service, the United States Department of Agriculture and none of the cooperating land-grant universities warranty these plans.