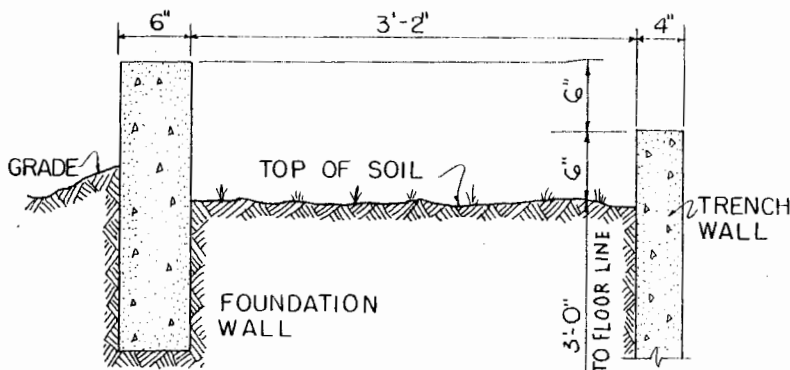


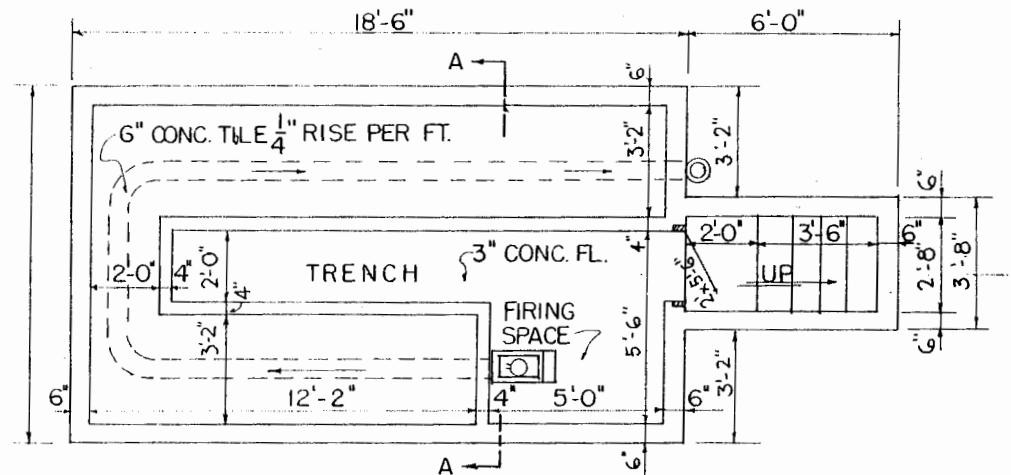
GENERAL VIEW

EAVE & RIDGE DETAIL

SECTION A A



SECTION THROUGH BENCH



PLAN

**MATERIAL REQUIRED:**

CONCRETE WALLS (1: 2 3/4: 4 MIX)  
24 SACKS OF CEMENT  
2.5 CU. YD. SAND  
3.5 CU. YD. GRAVEL

CONCRETE FLOOR (1; 2 1/4: 3 MIX)  
3 SACKS CEMENT  
1/4 CU. YD. SAND  
1/3 CU. YD. GRAVEL

METAL RIDGE CAP 12'X18'-6"  
METAL STRIPS 14-PC. -5"X6'-0"

RAFTERS 7 PC. -2"X4"X12'-0"  
DOOR FRAME 1 PC. -2'X4"X14'-0"  
WINDOW FRAME 1 PC. -2'X4"X6'-0"  
RIDGE BOARDS 6 PC. -1"X6"X10'-0"  
SASH 12 PC. -3'-0"X6'-0"  
REAR WINDOW 1 PC. -4 LT. 10"X12" GL.  
DOOR 1 -2'-0"X5'-8"  
GLASS - APPROX. 15 SQ. FT.  
HARDWARE & PAINT

STOVE PIPE 1-PC. 6" DIAM. 5'-0"  
" " CAP FOR 6" DIAM. PIPE

**LSU AgCenter**  
RESEARCH & EXTENSION

**CONCRETE FLUE HEATED GREENHOUSE**

DRAWN BY	SHEET 1 OF 1
TRACED BY VRJ	NO. 48-2
CHECKED BY	

## Disclaimer

This site makes available conceptual plans that can be helpful in developing building layouts and selecting equipment for various agricultural applications. These plans do not necessarily represent the most current technology or construction codes. They are not construction plans and do not replace the need for competent design assistance in developing safe, legal and well-functioning agricultural building system. The LSU Agriculture Center, the Mid-West Plan Service, the United States Department of Agriculture and none of the cooperating land-grant universities warranty these plans.