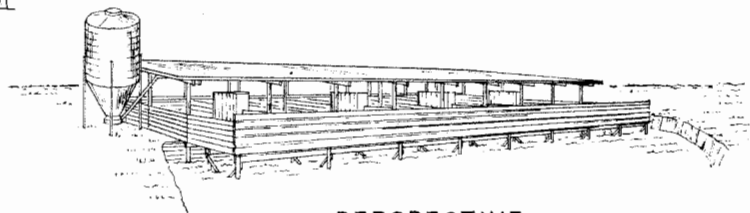


NOTES:

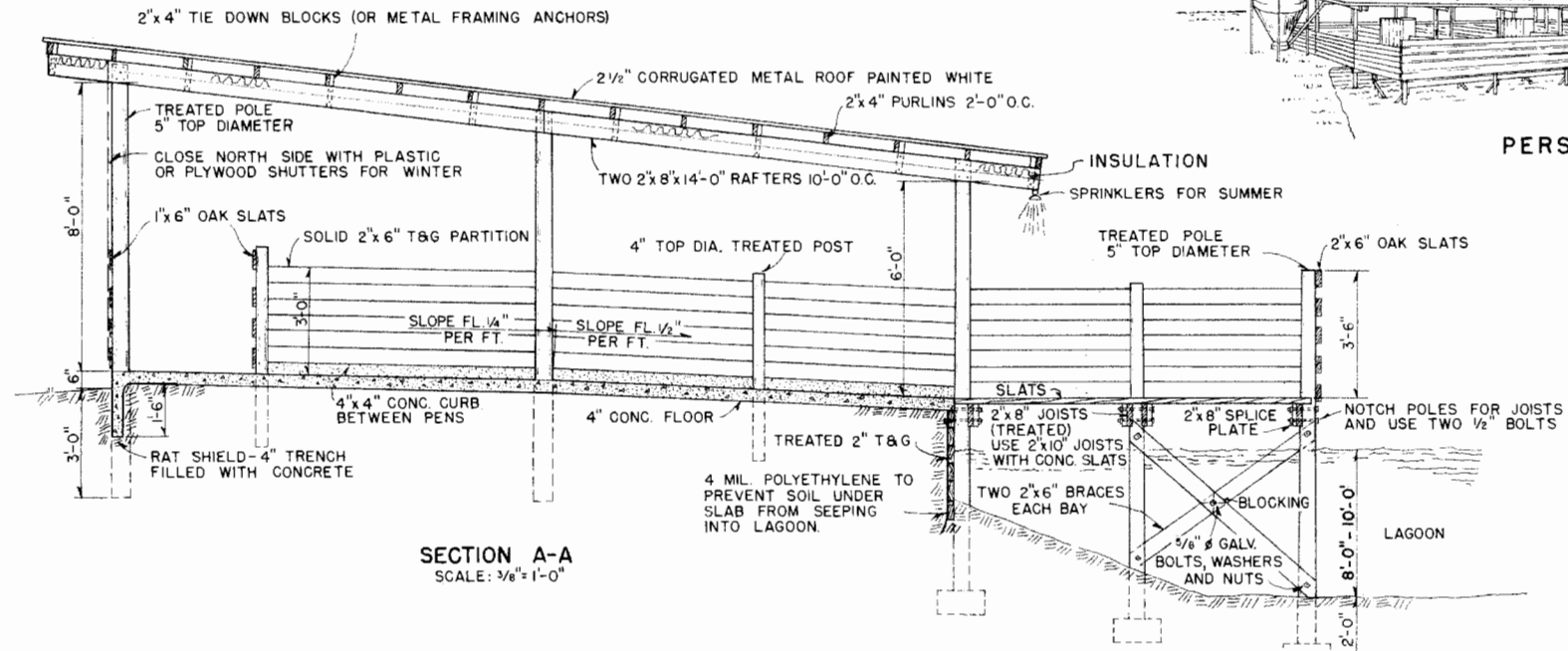
- CONSULT LOCAL HEALTH AUTHORITIES BEFORE STARTING CONSTRUCTION TO BE SURE THAT THE PLAN CONFORMS WITH LOCAL AND STATE REGULATIONS.
- DIMENSIONS OF MEMBERS SHOWN OTHER THAN POLES ARE BASED ON THE USE OF DRESSED LUMBER.
- PRESSURE-TREATED WOOD SHOULD RETAIN THE EQUIVALENT OF 8 LBS. OF CREOSOTE PER CUBIC FOOT.
- ALL METAL FASTENERS TO BE GALVANIZED.
- PREVENT LAGOON BANK EROSION NEXT TO BUILDING.

NOTE: FILL FEEDERS WITH FIXED AUGER FROM FEED BIN OR FROM TRUCK ON NORTH SIDE WITH PORTABLE AUGER.

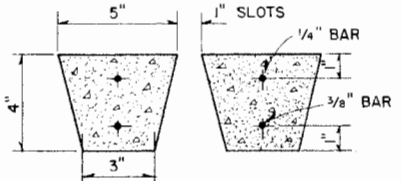
PLAN
SCALE: $\frac{1}{8}$ " = 1'-0"



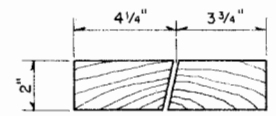
PERSPECTIVE



SECTION A-A
SCALE: $\frac{3}{8}$ " = 1'-0"

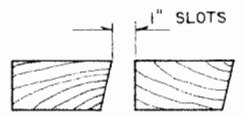


CONCRETE SLAT DETAILS



CUTTING DETAIL
(RIP FROM 2"x8" WHITE OAK)

SCALE: 3" = 1'-0"

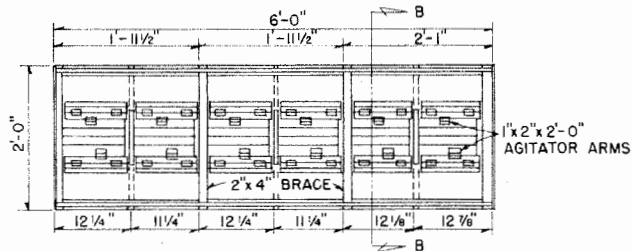


SLATS IN PLACE

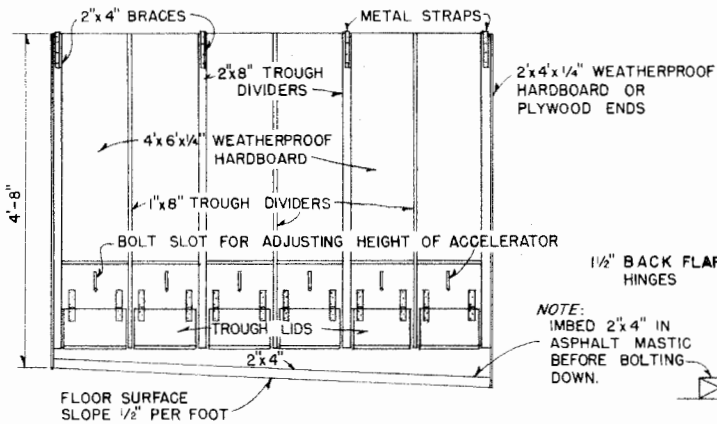
WOOD SLAT DETAILS

BASED ON NORTH CAROLINA STATE UNIVERSITY PLAN (SAME TITLE)

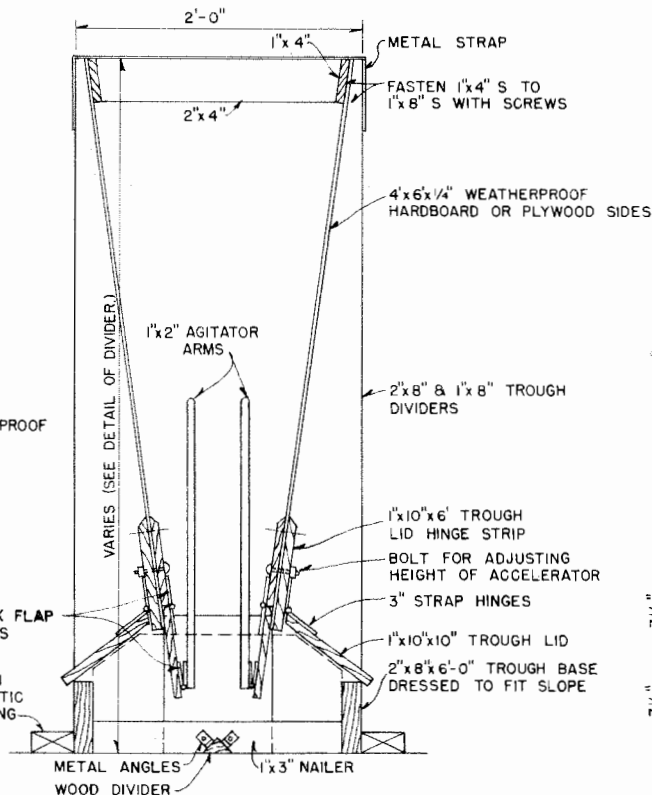
LSU AgCenter <small>Research & Extension</small>		
PART SLAT FEEDING FLOOR 200 PIGS		
USDA '65	EX. 5986	SHEET 1 OF 2



PLAN OF FEEDER
(METAL STRAPS NOT SHOWN)
SCALE: 3/4" = 1'-0"

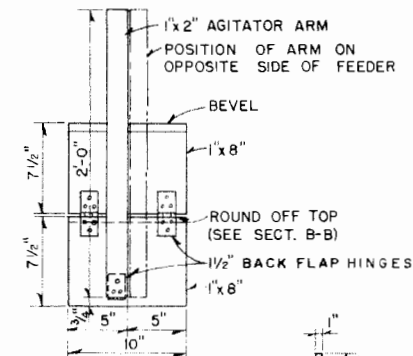
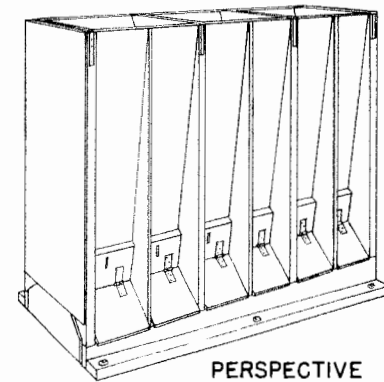


FRONT ELEVATION
SCALE: 3/4" = 1'-0"

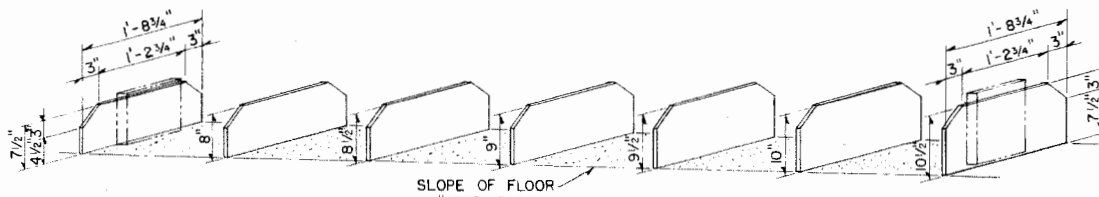


SECTION B-B
SCALE: 1/2" = 1'-0"

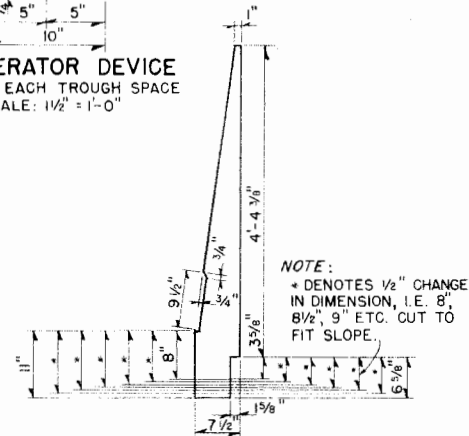
NOTE: IMBED 2x4" IN ASPHALT MASTIC BEFORE BOLTING DOWN.



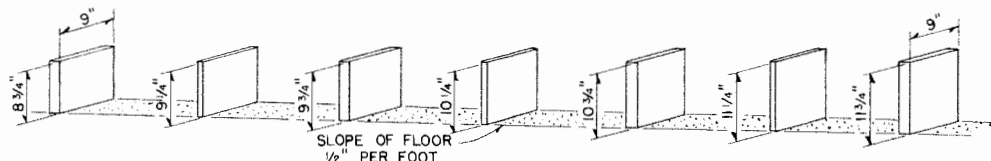
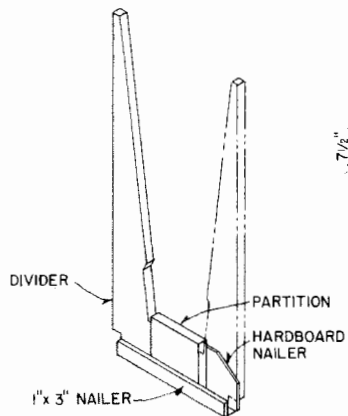
ACCELERATOR DEVICE
ONE FOR EACH TROUGH SPACE
SCALE: 1/2" = 1'-0"



ISOMETRIC VIEW OF NAILERS
1/4" HARDBOARD 7 PIECES



DIVIDER & END
8 PIECES 2"x8" 6 PIECES 1"x8"
SCALE: 3/4" = 1'-0"



ISOMETRIC VIEW OF PARTITIONS
4 PIECES 2"x10" 3 PIECES 1"x10"

NOTE: NUMBER OF PIECES AS NOTED ARE REQUIRED FOR EACH FEEDER.



PART SLAT FEEDING FLOOR
200 PIGS

USDA '65 EX. 5986 SHEET 2 OF 2

Disclaimer

This site makes available conceptual plans that can be helpful in developing building layouts and selecting equipment for various agricultural applications. These plans do not necessarily represent the most current technology or construction codes. They are not construction plans and do not replace the need for competent design assistance in developing safe, legal and well-functioning agricultural building system. The LSU Agriculture Center, the Mid-West Plan Service, the United States Department of Agriculture and none of the cooperating land-grant universities warranty these plans.