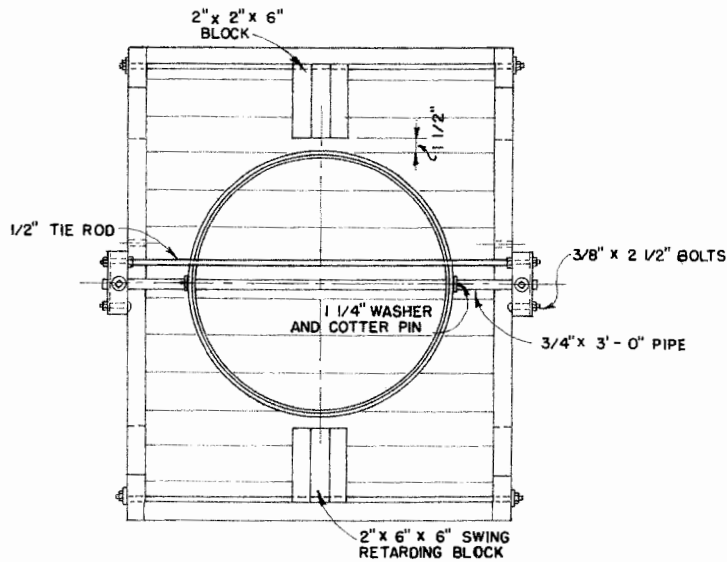
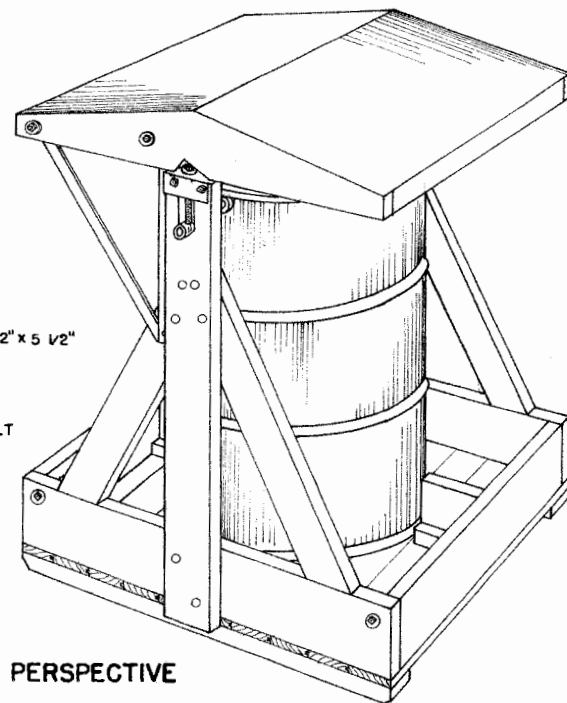


COVER DETAIL

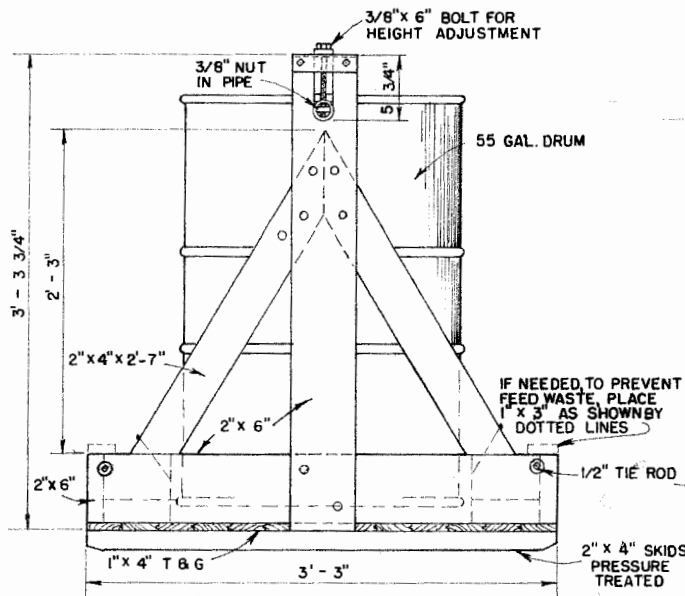
SHOWING FIT
SCALE: 1 1/2" = 1' - 0"



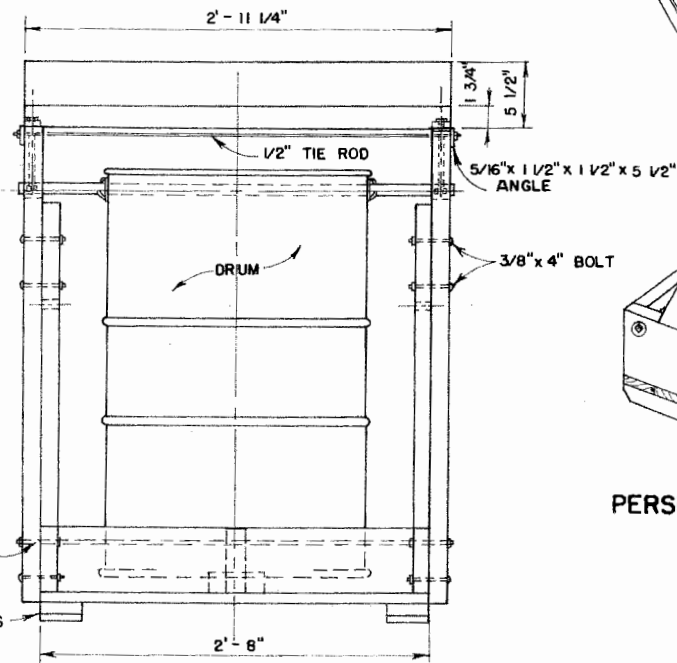
PLAN
COVER NOT SHOWN



PERSPECTIVE



ELEVATION



END VIEW

FRAMING DETAILS

WITH COVER REMOVED
SCALE 1 1/2" = 1' - 0"



SELF FEEDER FOR HOGS

ENGINEER	SCALE AS SHOWN
DRAWN BY CALIF. '55	SHEET 1 OF 1
TRACED BY JLH	DATE
	NO. 5815

Disclaimer

This site makes available conceptual plans that can be helpful in developing building layouts and selecting equipment for various agricultural applications. These plans do not necessarily represent the most current technology or construction codes. They are not construction plans and do not replace the need for competent design assistance in developing safe, legal and well-functioning agricultural building system. The LSU Agriculture Center, the Mid-West Plan Service, the United States Department of Agriculture and none of the cooperating land-grant universities warranty these plans.