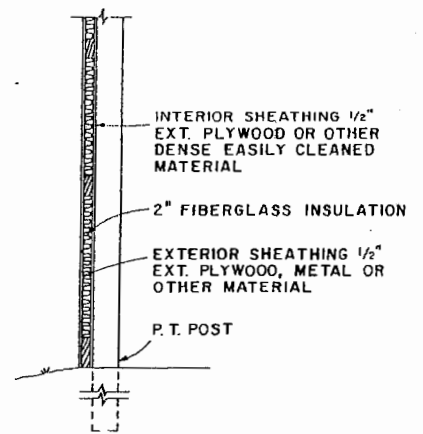


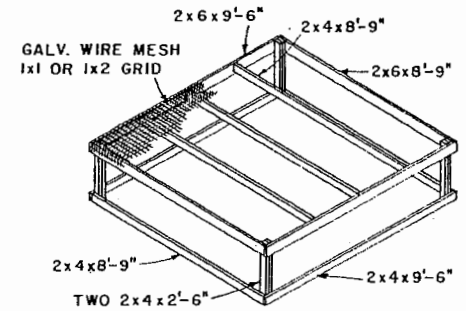
NOTE:
 BUILD ROOF FRAME IN TWO PANELS
 NAIL EACH PANEL TO PRESSURE
 TREATED (P.T.) POSTS, THEN ATTACH
 THE TWO OUTSIDE PURLINS.

FRAME PICTORIAL

NOTES:
 TOTAL OUTSIDE DIMENSIONS AFTER
 CONSTRUCTION APPROXIMATELY 12'x16'.
 FLOOR MAY BE DIRT OR CONCRETE.
 CONSULT LOCAL HEALTH AND BUILDING
 CODE AUTHORITIES BEFORE STARTING
 CONSTRUCTION.

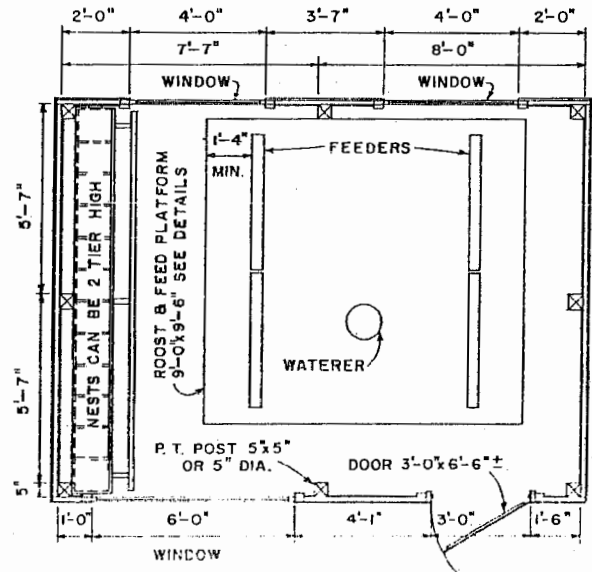


TYPICAL WALL SECTION
 SCALE: 3/4"=1'-0"
 12" 9" 6" 3" 0"

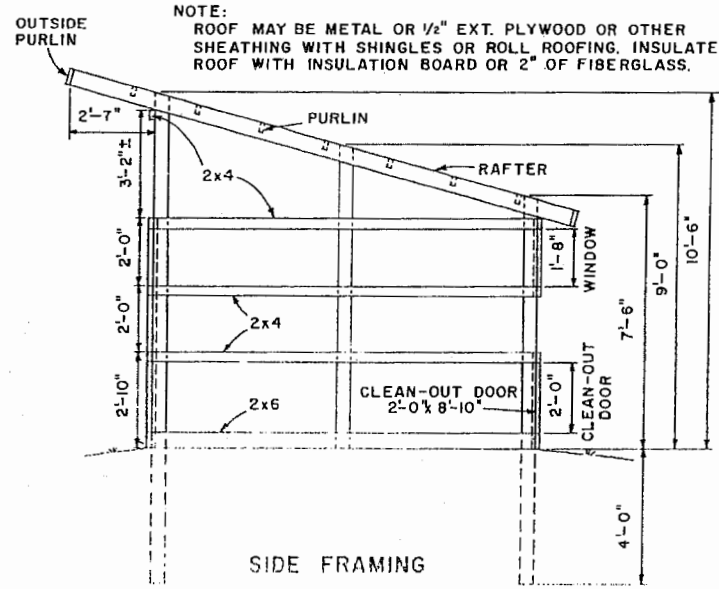


NOTE:
 ENCLOSE BOTH ENDS AND ONE SIDE WITH
 1/2" EXT. PLYWOOD. OPEN SIDE TO FACE
 OUTSIDE CLEAN-OUT DOOR. MUST BE
 BUILT INSIDE OF HOUSE.

ROOST & FEED PLATFORM DETAILS
 SCALE: 1/4"=1'-0"
 12" 6" 0" 1" 2" 3" 4"



FLOOR PLAN



SIDE FRAMING

NOTE:
 ROOF MAY BE METAL OR 1/2" EXT. PLYWOOD OR OTHER
 SHEATHING WITH SHINGLES OR ROLL ROOFING. INSULATE
 ROOF WITH INSULATION BOARD OR 2" OF FIBERGLASS.

BASED ON: W. VA. UNIV.
 PLAN NO. PO 146

OTHERWISE NOTED
 12" 6" 0" 1" 2" 3" 4"

POULTRY HOUSE 50 TO 80 LAYERS		
W VA '74	6188	SHEET 1 OF 1

Disclaimer

This site makes available conceptual plans that can be helpful in developing building layouts and selecting equipment for various agricultural applications. These plans do not necessarily represent the most current technology or construction codes. They are not construction plans and do not replace the need for competent design assistance in developing safe, legal and well-functioning agricultural building system. The LSU Agriculture Center, the Mid-West Plan Service, the United States Department of Agriculture and none of the cooperating land-grant universities warranty these plans.