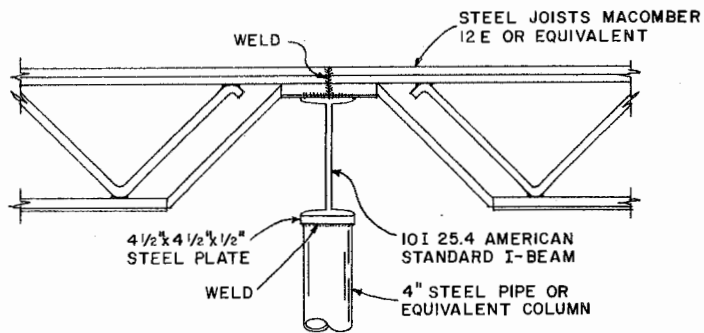
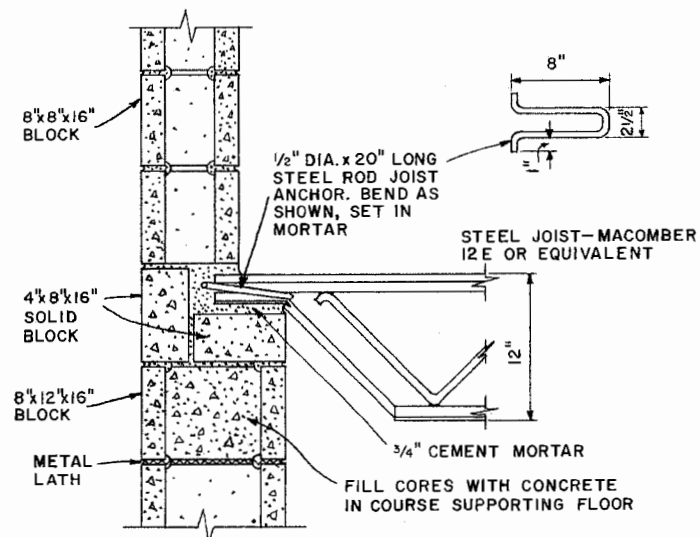


COMMUNITY BUILDING

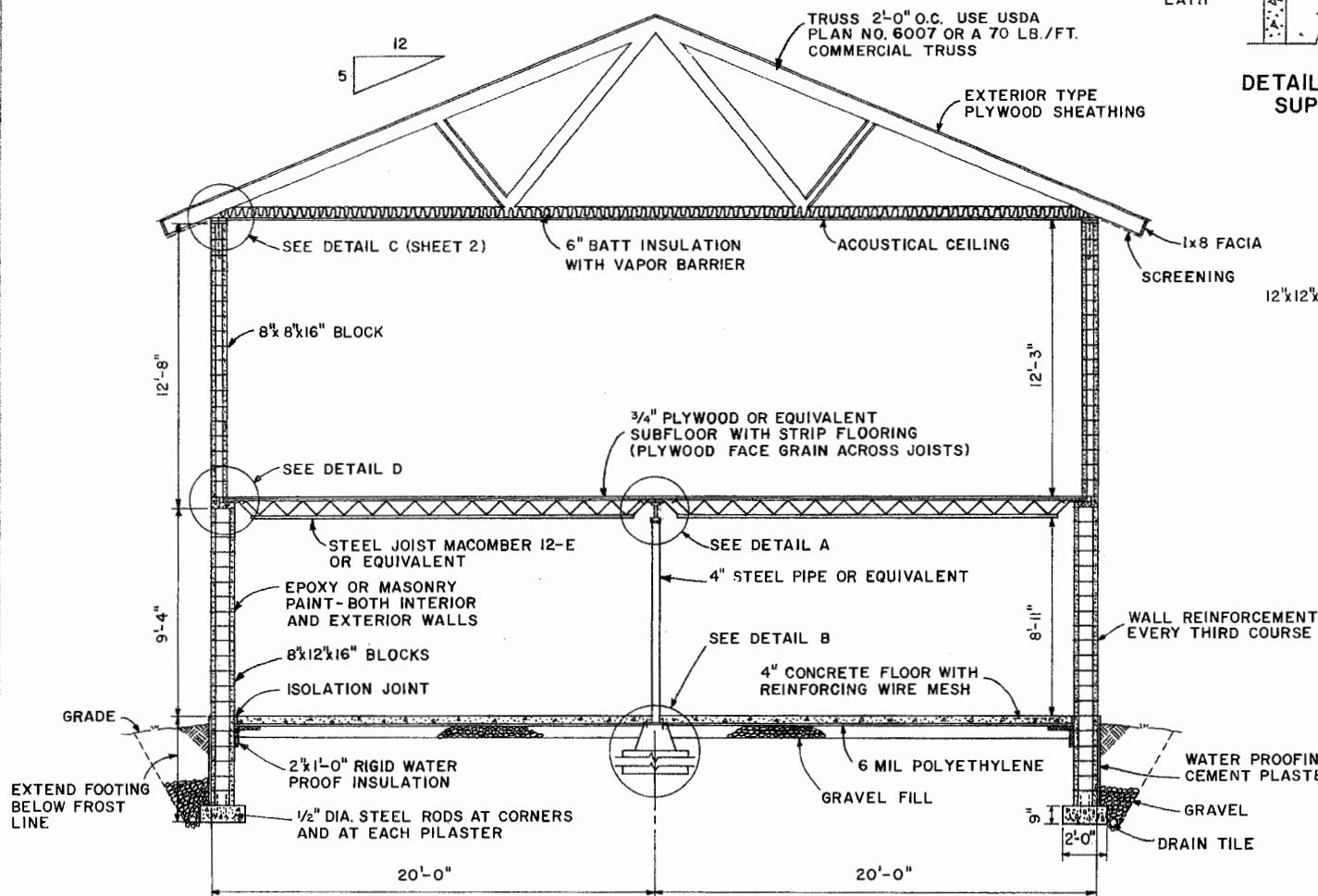
W. VA. '72 6149 SHEET 2 OF 4



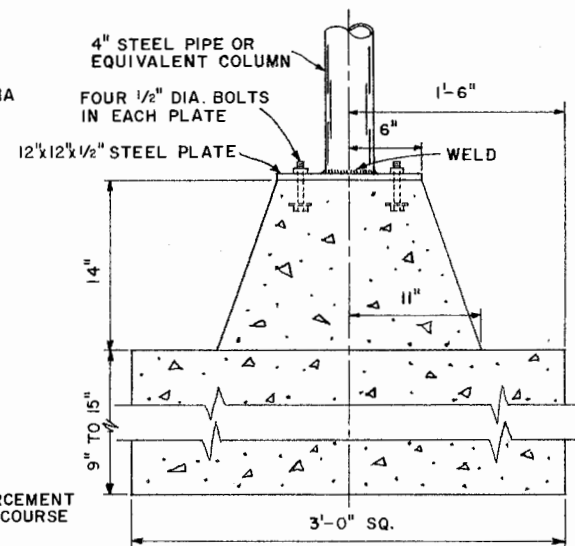
DETAIL A-BEAM & JOIST



DETAIL D-FLOOR JOIST END SUPPORT & ANCHORAGE



CROSS SECTION  
SCALE: 1/4" = 1'-0"



DETAIL B-COLUMN FOOTING

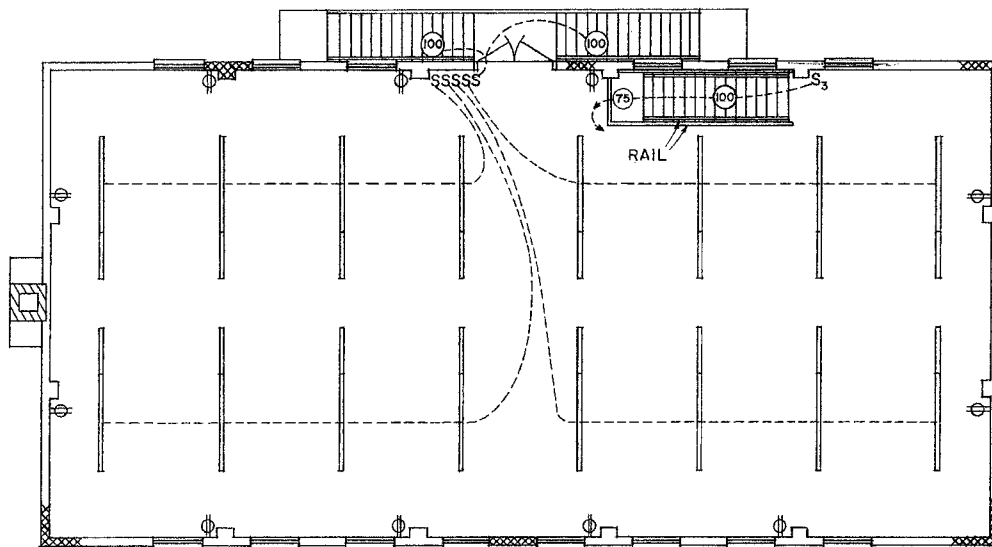
SCALE: 1 1/2" = 1'-0" UNLESS OTHERWISE NOTED.

NOTE:  
EXTERIOR WALLS THAT ARE UNDERGROUND  
MUST BE ADEQUATELY WATERPROOFED



COMMUNITY BUILDING

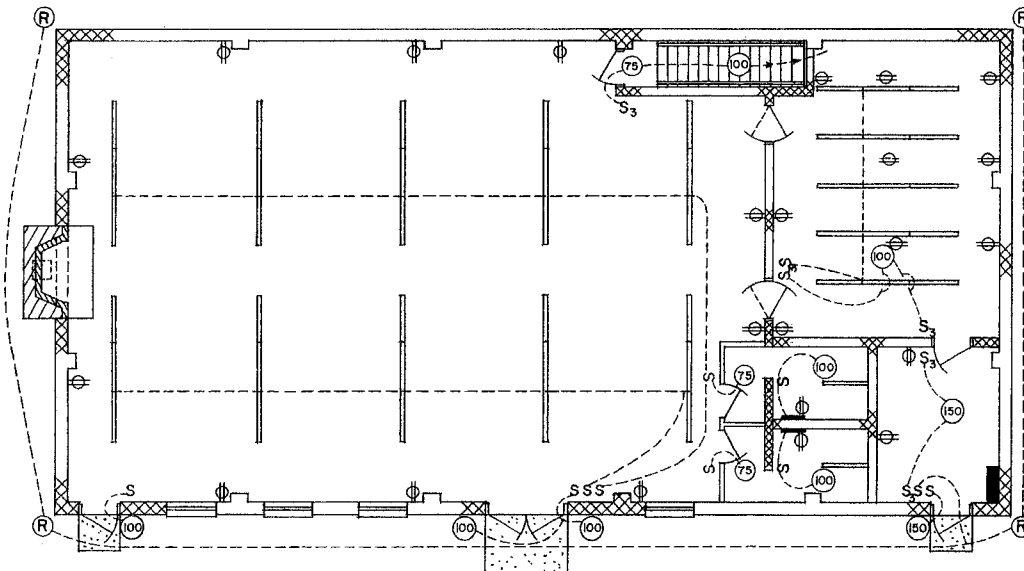
W. VA. '72 6149 SHEET 3 OF 4



SECOND FLOOR  
ELECTRICAL LAYOUT

NOTES:

1. OUTSIDE FLOOD LAMPS TO BE MOUNTED UNDER EAVES.
2. ALL WIRING TO CONFORM TO NATIONAL ELECTRIC CODE AND LOCAL CODES.
3. LIGHTING CIRCUITS SHOULD BE EQUALLY BALANCED ON 115 VOLT SIDES OF THE SERVICE TO BALANCE LOAD ON THE SYSTEM.
4. LIGHTING BASED ON RECOMMENDED LEVELS OF ILLUMINATION, ILLUMINATING ENGINEERING SOCIETY LIGHTING HANDBOOK, 1966.
5. RECOMMEND 200 AMP. SERVICE MINIMUM. CALCULATE KITCHEN, APPLIANCE, AND HEATING SYSTEM LOAD AS THEY MAY VARY. ENTRANCE SERVICE REQUIRED.



FIRST FLOOR  
ELECTRICAL LAYOUT

ELECTRICAL SYMBOLS

- (R) REFLECTOR FLOOD LAMP, 300 WATT.
- INCANDESCENT LAMP, WATTAGE SHOWN.
- FLUORESCENT LAMP, 2 BULBS 40 WATT EACH.
- FLUORESCENT LAMP, 2 BULBS 20 WATT EACH.
- ⊕ GROUNDING TYPE CONVENIENCE OUTLET.
- S SWITCH, SPST.
- S<sub>3</sub> SWITCH, THREE WAY
- DISTRIBUTION PANEL (FUSE OR CIRCUIT BREAKER)

SCALE: 1/8"=1'-0"  
UNLESS OTHERWISE NOTED.



COMMUNITY BUILDING

W.VA. '72 6149 SHEET 4 OF 4

## Disclaimer

This site makes available conceptual plans that can be helpful in developing building layouts and selecting equipment for various agricultural applications. These plans do not necessarily represent the most current technology or construction codes. They are not construction plans and do not replace the need for competent design assistance in developing safe, legal and well-functioning agricultural building system. The LSU Agriculture Center, the Mid-West Plan Service, the United States Department of Agriculture and none of the cooperating land-grant universities warranty these plans.