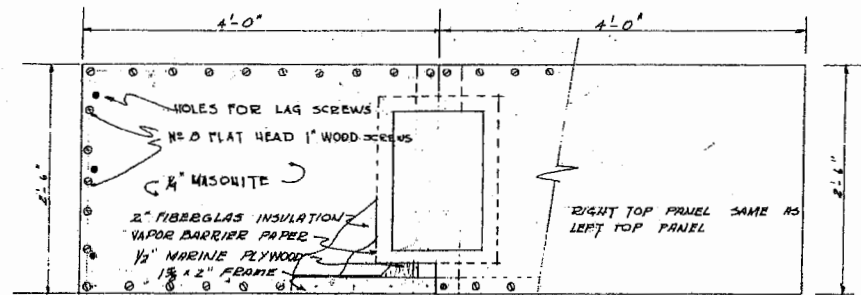


SIDE PANEL

SCALE 1"=1'-0"



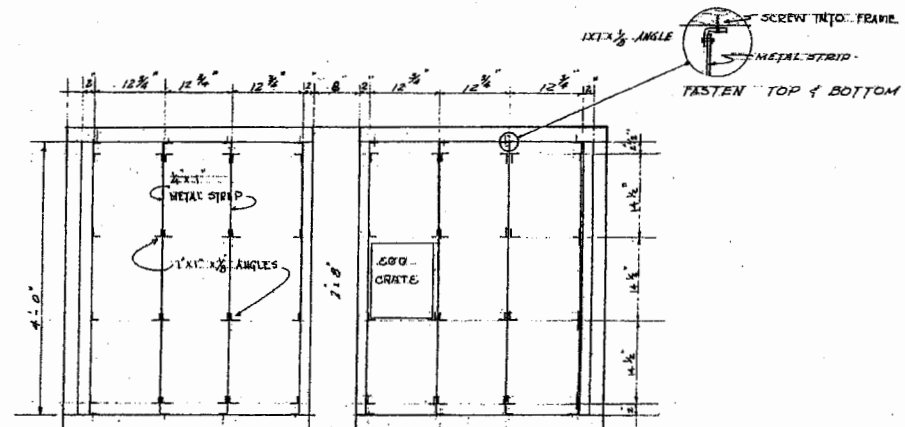
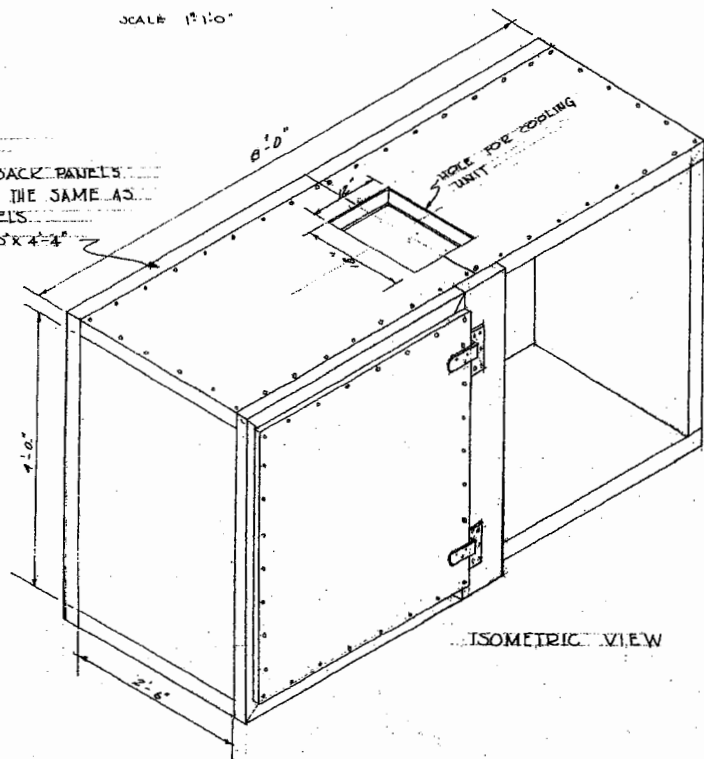
LEFT TOP PANEL

SCALE 1"=1'-0"

NOTE

THE TWO BACK PANELS ARE MADE THE SAME AS OTHER PANELS.

2 PANELS 4'-0" x 4'-4"



FRONT VIEW SHOWING
DETAIL OF CRATE BACK

SCALE 3/4"=1'-0"

ALL FRAMING SHALL BE CYPRESS



MECHANICAL EGG COOLER

ENGINEER R. P. KAY SCALE AS SHOWN

DRAWN BY K. B. C. SHEET 1 OF 1

TRACED BY DATE 1962 NO. 72-6

Disclaimer

This site makes available conceptual plans that can be helpful in developing building layouts and selecting equipment for various agricultural applications. These plans do not necessarily represent the most current technology or construction codes. They are not construction plans and do not replace the need for competent design assistance in developing safe, legal and well-functioning agricultural building system. The LSU Agriculture Center, the Mid-West Plan Service, the United States Department of Agriculture and none of the cooperating land-grant universities warranty these plans.