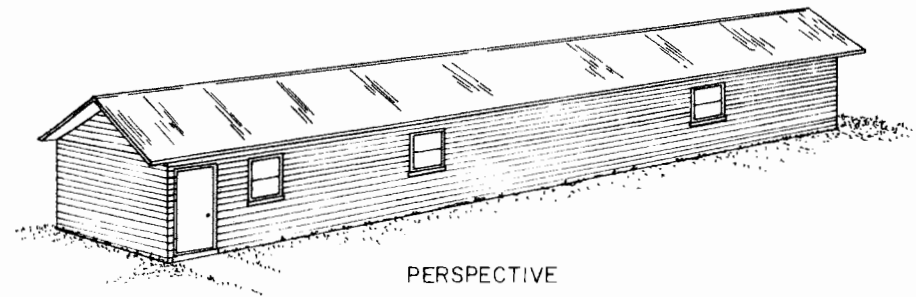


PLAN VIEW  
 $\frac{1}{4}'' = 1'0''$

**NOTES:**

1. THIS FACILITY IS DESIGNED TO HOUSE DAIRY CALVES FROM 0-2 MONTHS OF AGE.
2. VENTILATION: PROVIDE A MINIMUM OF 400 CFM AT ALL TIMES AND A MAXIMUM OF 6000-7000 CFM FOR SUMMER VENTILATION. A VARIABLE SPEED FAN WITH MINIMUM AND MAXIMUMS IN THESE RANGES IS DESIRABLE. FAN CONTROLLER FOR VARIABLE SPEED FAN SHOULD BE SET AT 50°F.
3. FURNACE SHOULD PROVIDE MINIMUM OUTPUT OF 50,000 BTU PER HOUR. SET THERMOSTAT AT 45F. TO AVOID CONFLICT WITH VENTILATION SYSTEM. FURNACES BURNING FOSSIL FUELS MUST BE VENTED TO OUTSIDE.
4. RAFTERS AND CEILING JOISTS DESIGNED ON 1200 PSI MINIMUM FIBER STRESS. DESIGN LOAD: 25 PSF ROOF, 5 PSF CEILING.
5. PRESSURE TREATED MATERIAL SHOULD HAVE 7LBS. PER CUBIC FOOT PRESERVATIVE RETENTION PER AWWA STANDARDS.
6. WASTE LINE SHOULD PITCH  $\frac{1}{4}''$  PER FOOT TO LAGOON. LAGOON TO BE DESIGNED IN ACCORDANCE WITH RECOMMENDATIONS OF THE LOCAL HEALTH AND BUILDING CODE AUTHORITIES.
7. FLOORING OVER GUTTER: #9 FLATTENED EXPANDED METAL WITH 1" OPENINGS.



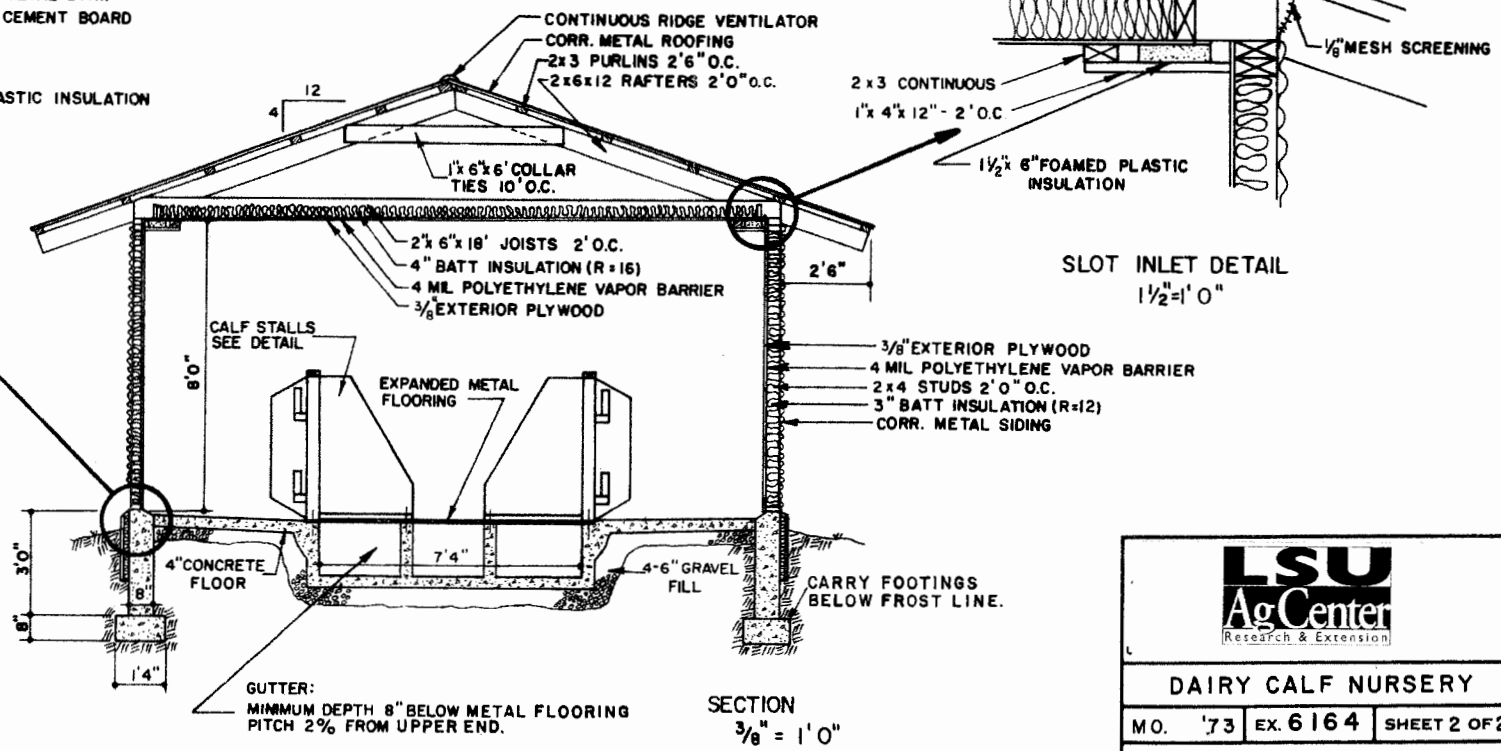
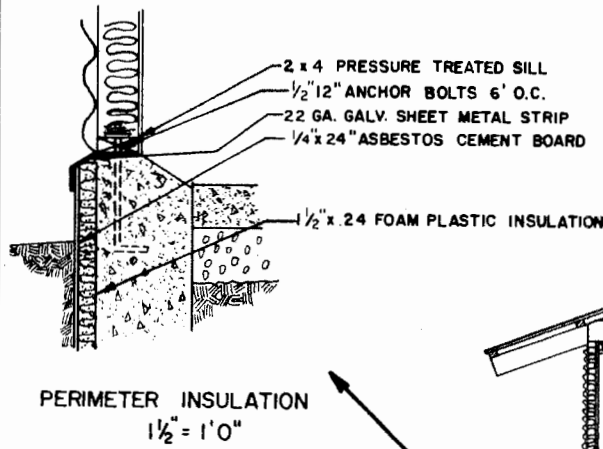
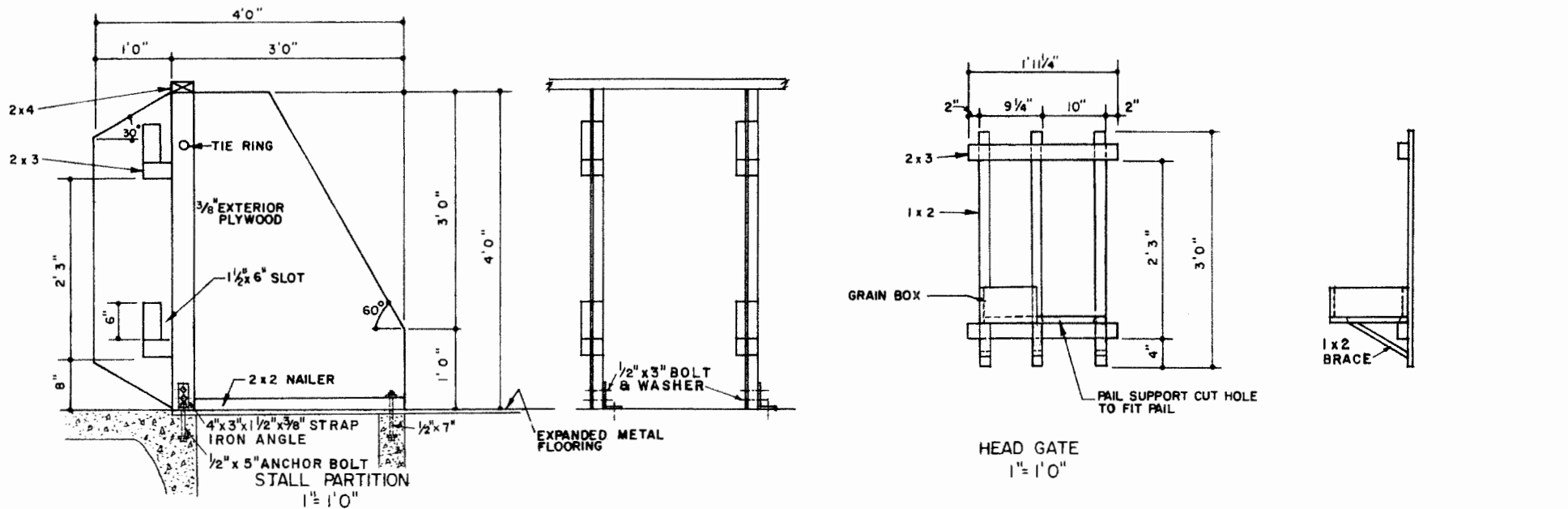
PERSPECTIVE

BASED ON: UNIV. OF MISSOURI  
 PLAN NO. 22-723-C2



DAIRY CALF NURSERY

MO. '73 EX. 6164 SHEET 1 OF 2



**LSU**  
**AgCenter**  
 Research & Extension

**DAIRY CALF NURSERY**

M.O. '73	EX. 6164	SHEET 2 OF 2
----------	----------	--------------

## Disclaimer

This site makes available conceptual plans that can be helpful in developing building layouts and selecting equipment for various agricultural applications. These plans do not necessarily represent the most current technology or construction codes. They are not construction plans and do not replace the need for competent design assistance in developing safe, legal and well-functioning agricultural building system. The LSU Agriculture Center, the Mid-West Plan Service, the United States Department of Agriculture and none of the cooperating land-grant universities warranty these plans.