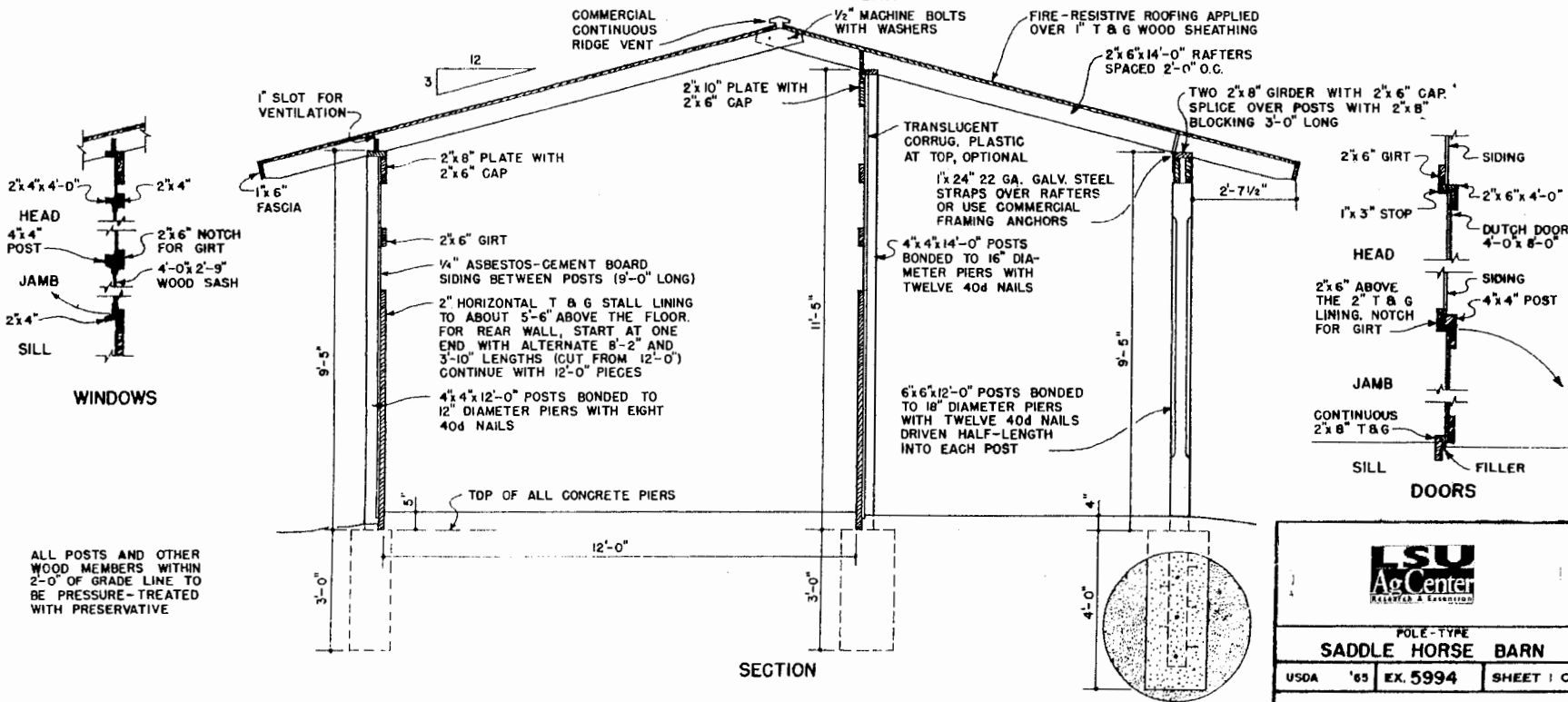


PLAN



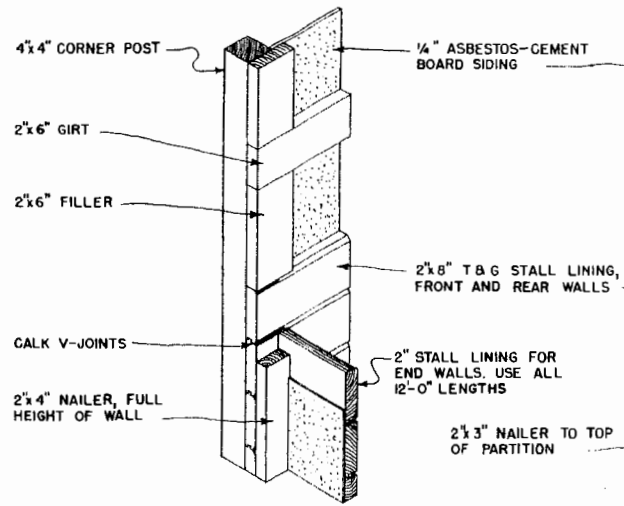
WINDOWS

DOORS

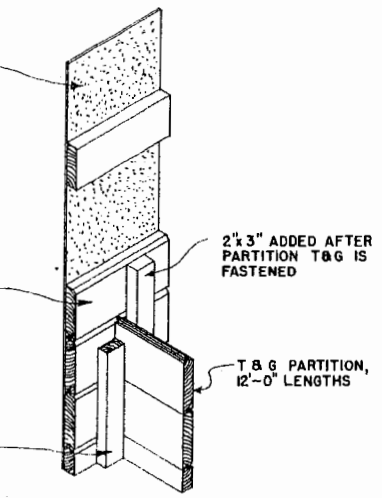
ALL POSTS AND OTHER WOOD MEMBERS WITHIN 2'-0" OF GRADE LINE TO BE PRESSURE-TREATED WITH PRESERVATIVE



POLE-TYPE		
SADDLE HORSE BARN		
USDA '65	EX. 5994	SHEET 1 OF 2

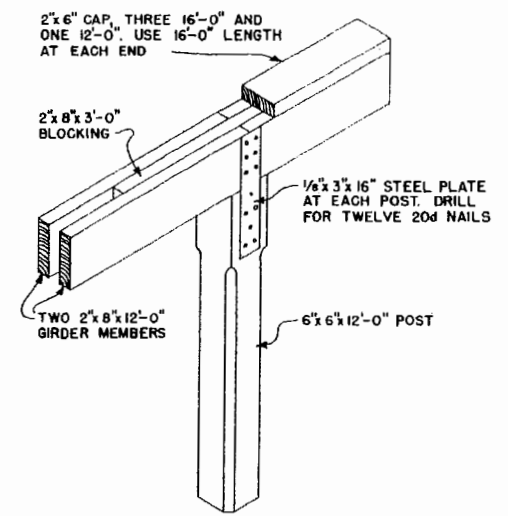


CORNER

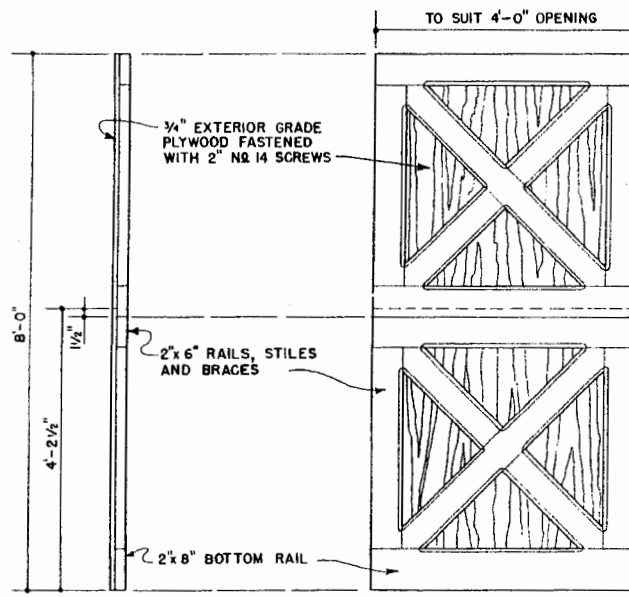


PARTITION

TYPICAL DETAILS

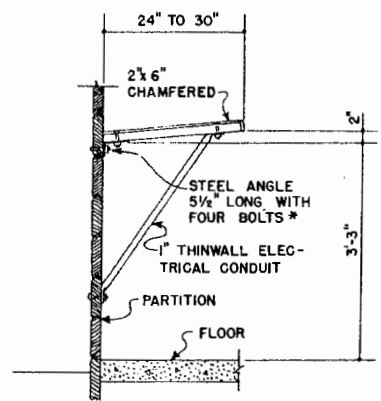


POST AND GIRDER



USE HEAVY DUTY HINGES AND DOOR BOLTS

DUTCH DOORS



* 3/8" DIAM. CARRIAGE BOLTS
SPACE RACKS 24" TO 30" APART

SADDLE RACK



POLE-TYPE SADDLE HORSE BARN		
USDA	'65	EX. 5994
		SHEET 2 OF 2

Disclaimer

This site makes available conceptual plans that can be helpful in developing building layouts and selecting equipment for various agricultural applications. These plans do not necessarily represent the most current technology or construction codes. They are not construction plans and do not replace the need for competent design assistance in developing safe, legal and well-functioning agricultural building system. The LSU Agriculture Center, the Mid-West Plan Service, the United States Department of Agriculture and none of the cooperating land-grant universities warranty these plans.