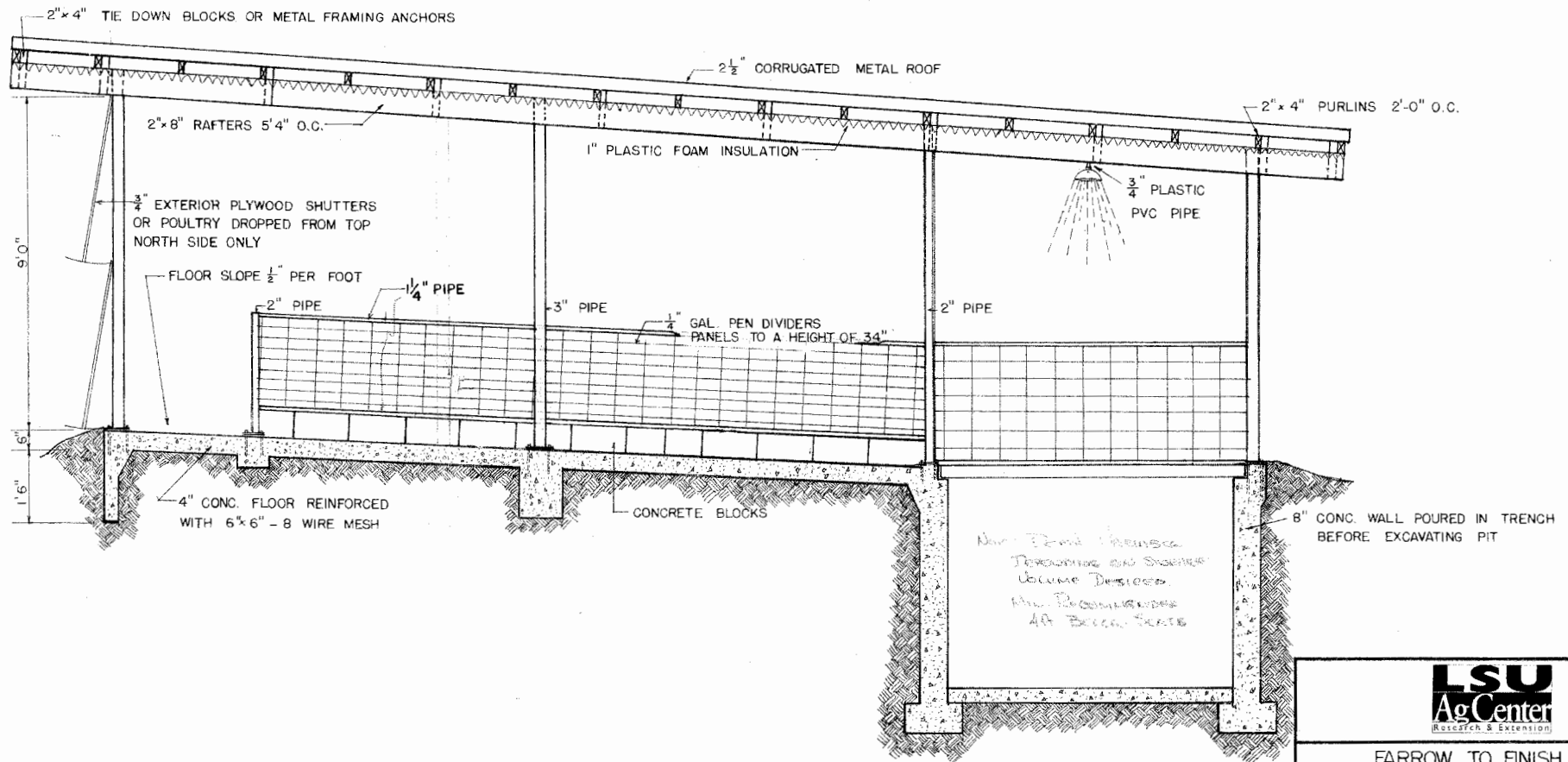


PERSPECTIVE VIEW



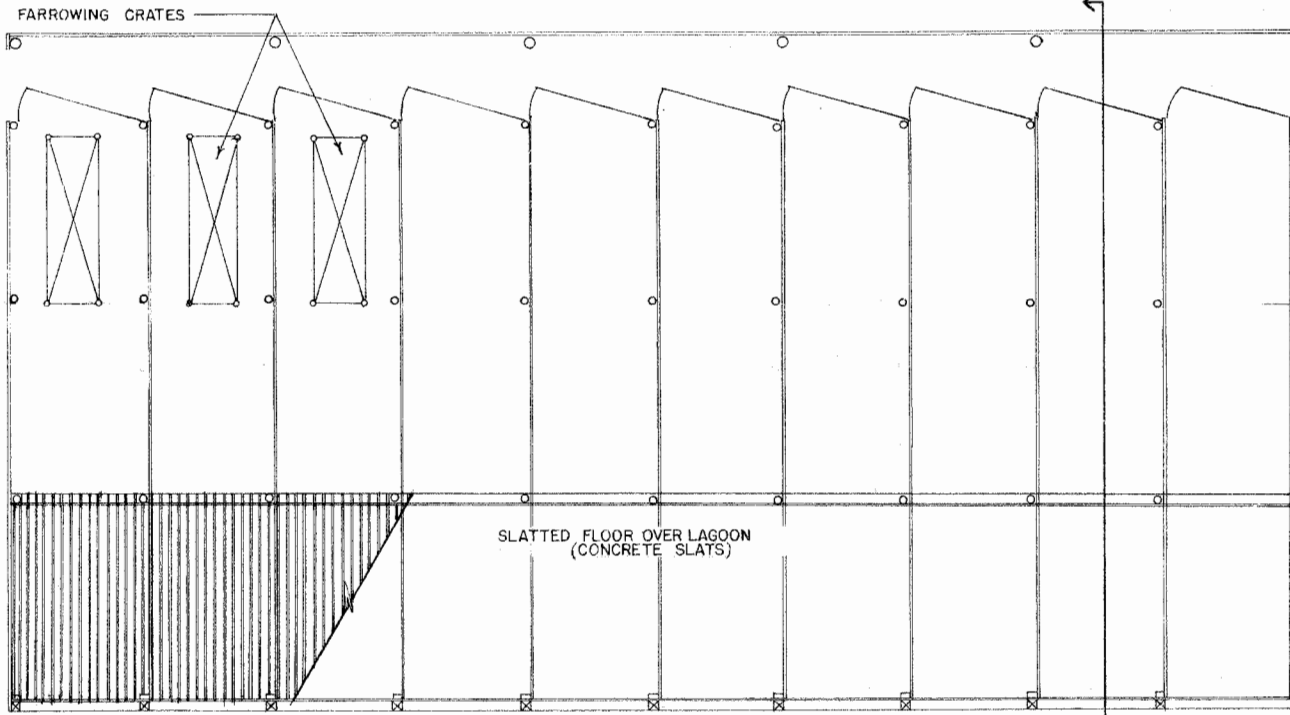
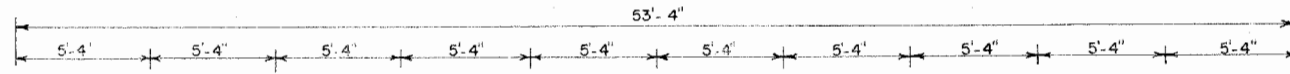
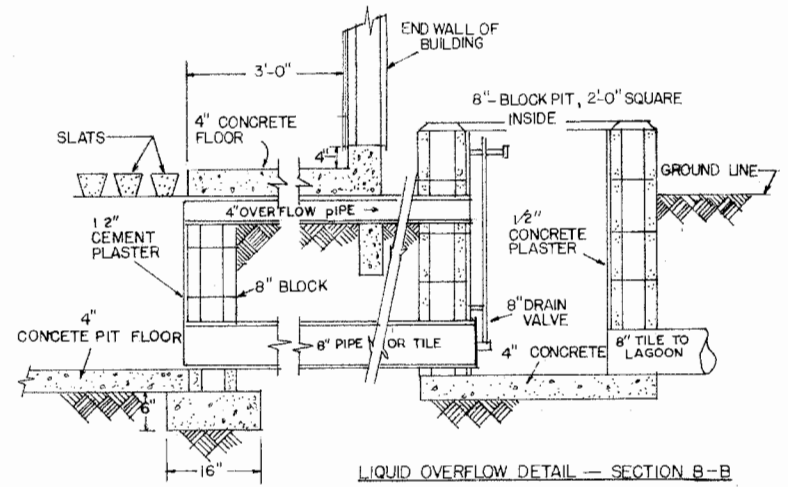
SECTION A-A
SCALE: 1/2" = 1'0"



FARROW TO FINISH
SWINE BUILDING


ENGINEER GENE BAKER	SCALE AS SHOWN
DRAWN BY DDA.	SHEET 1 OF 3
TRACED BY DDA.	DATE 5-12-76 NO 54-12

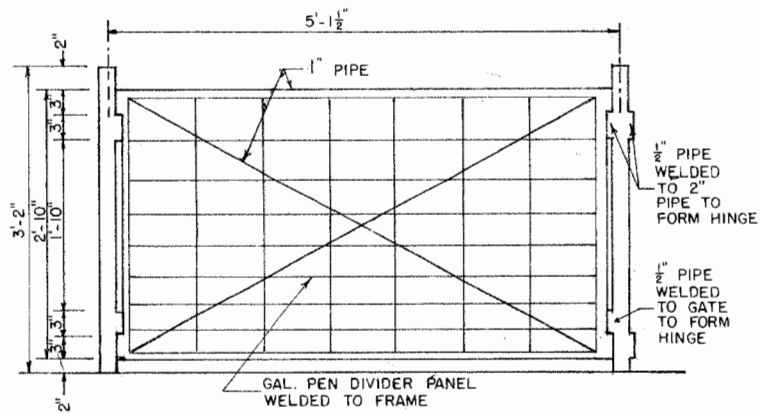
NOTE: PEN DIVIDERS AND GATES ARE PLANNED TO USE WELDED WIRE PANELS ALL DIMENSION ARE MULTIPLES OR DIVISIONS OF THE 16 FT. PANEL LENGTH.



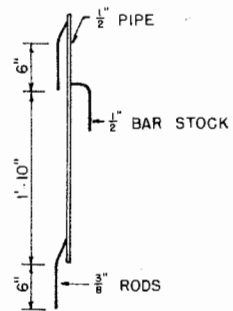
NOTE: ENDS ENCLOSED W/GAL. METAL

SECTION A-A

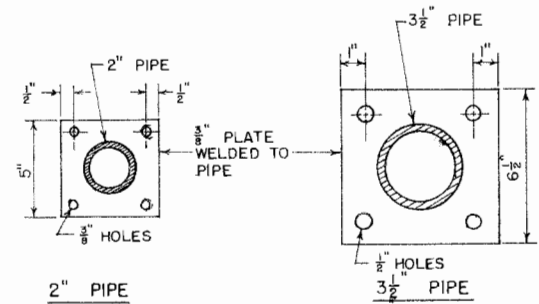
 <small>RESEARCH & EXTENSION</small>	
FARROW TO FINISH SWINE BUILDING	
ENGINEER GENE BAKER	SCALE AS SHOWN
DRAWN BY DDA	SHEET 2 OF 3
TRACED BY RCB	DATE 5-12-76 NO. 54-12



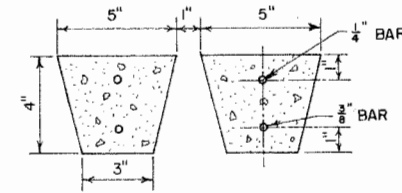
GATE AND POLE DETAIL (OPEN BOTH ENDS)
SCALE: 1" = 1'-0"



HINGE PIN DETAIL
SCALE: 1" = 1'-0"

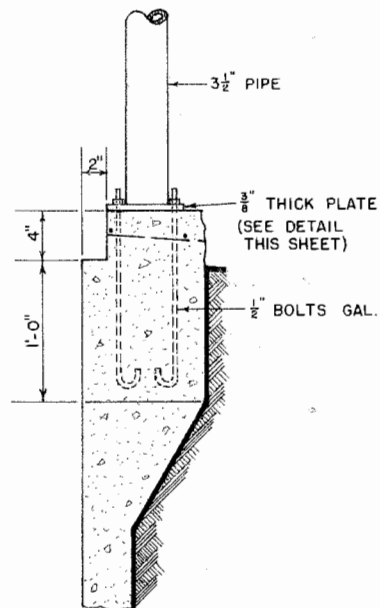


BOLTING PLATE DETAILS
SCALE 3" = 1'-0"

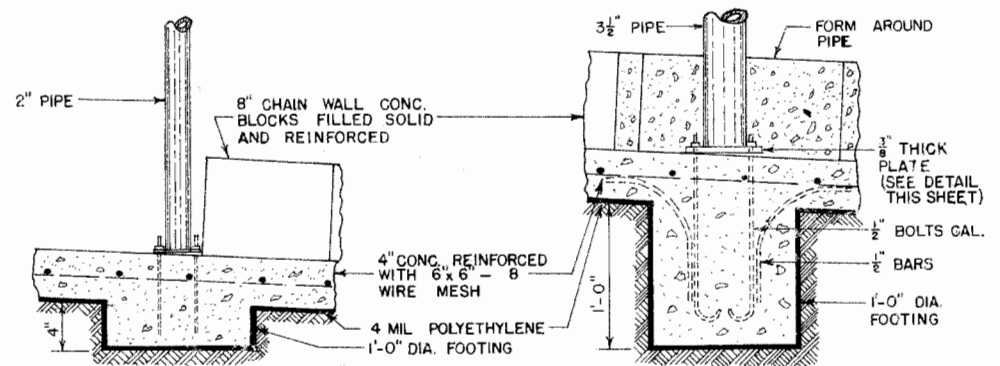


CONCRETE SLAT DETAIL
SCALE 3" = 1'-0"

NOTE: USE SAME END POLE DETAIL ON LEFT SIDE OF PIT.



END POLE DETAILS
SCALE: 1 1/2" = 1'-0"



PEN DIVIDER POST DETAILS
SCALE: 1 1/2" = 1'-0"



FARROW TO FINISH
SWINE BUILDING

ENGINEER GENE BAKER	SCALE AS SHOWN
DRAWN BY RKL	SHEET 3 OF 3
TRACED BY RCB	DATE 5-12-76 NO. 54-12

Disclaimer

This site makes available conceptual plans that can be helpful in developing building layouts and selecting equipment for various agricultural applications. These plans do not necessarily represent the most current technology or construction codes. They are not construction plans and do not replace the need for competent design assistance in developing safe, legal and well-functioning agricultural building system. The LSU Agriculture Center, the Mid-West Plan Service, the United States Department of Agriculture and none of the cooperating land-grant universities warranty these plans.