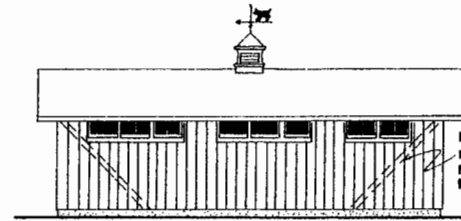
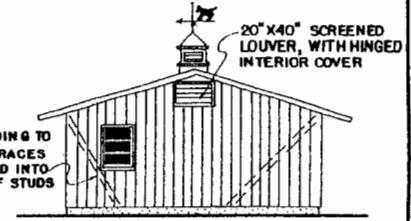


PERSPECTIVE



REAR ELEVATION

SCALE: 1/8" = 1'-0"

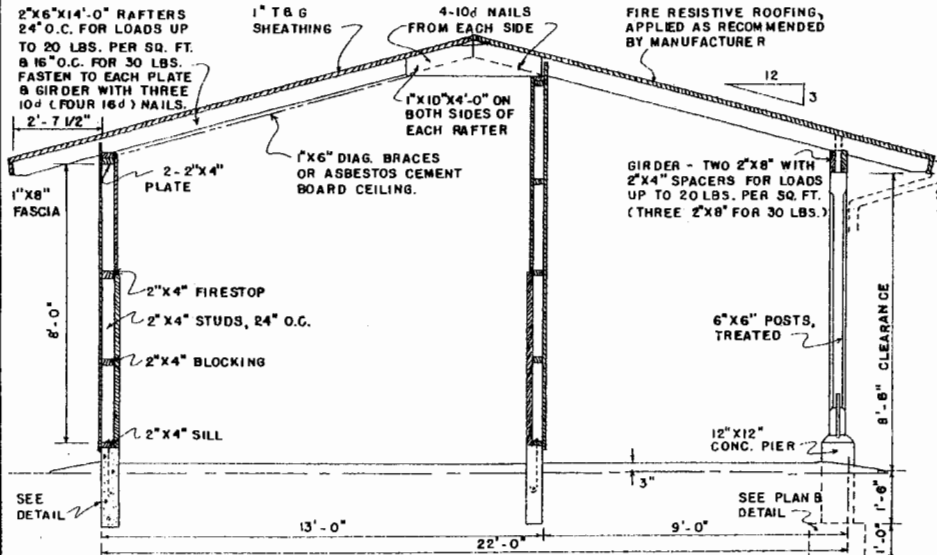


RIGHT END

SCALE: 1/8" = 1'-0"

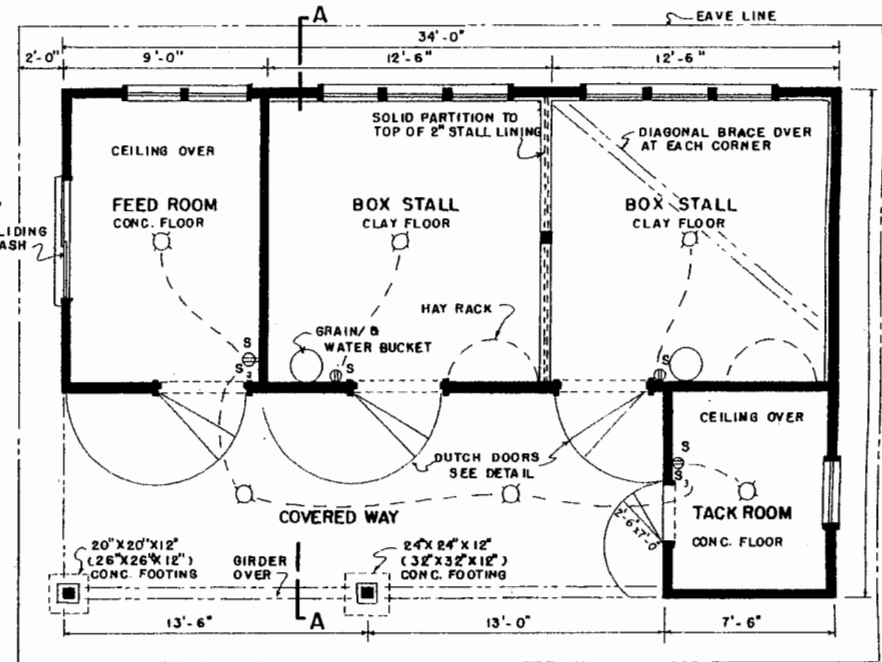
20" X 40" SCREENED LOUVER, WITH HINGED INTERIOR COVER

NAIL SIDING TO 1" X 6" BRACES NOTCHED INTO FACE OF STUDS



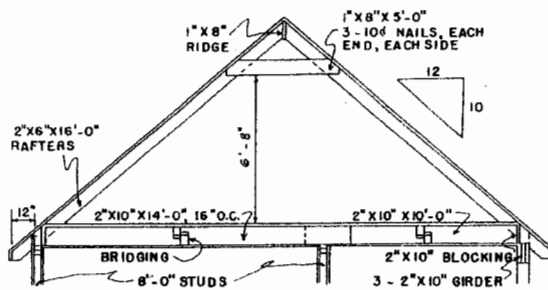
TYPICAL CROSS SECTION A-A

SCALE: 3/8" = 1'-0"



PLAN

SCALE: 1/4" = 1'-0"



ALTERNATE ROOF

SCALE: 1/4" = 1'-0"

THIS STEEPLY PITCHED ROOF PROVIDES MOW SPACE FOR STORAGE OF ADDITIONAL FEED & BEDDING, ALSO IS RECOMMENDED FOR USE WHEN NEEDED TO CONFORM TO THE APPEARANCE OF NEARBY BUILDINGS.

GENERAL NOTES:

- THIS BUILDING IS DESIGNED FOR USE IN AREAS WHERE SNOW LOAD DOES NOT EXCEED 30 POUNDS PER SQUARE FOOT AND WIND DOES NOT EXCEED 108 MPH.
- FOR AREAS WHERE THE SNOW LOAD DOES NOT EXCEED 20 LBS. PER SQ. FT., SPACE RAFTERS 24" O.C., USE THE TWO 2" X 8" GIRDER.
 - FOR SNOW LOADS UP TO 30 LBS. PER SQ. FT., SPACE RAFTERS 16" O.C. AND USE A THREE 2" X 8" GIRDER.
 - REGARDLESS OF SNOW LOAD, IF THE AREA IS SUBJECT TO WINDS OF HURRICANE FORCE, OVER 78 MPH, USE THE THREE 2" X 8" GIRDER AND THE FASTENINGS AND PIER FOOTINGS SHOWN IN PARENTHESIS (...).
 - STALL WINDOWS:
HOT CLIMATES: USE THREE SASH, AS SHOWN.
MODERATE " " TWO " "
COLD " " ONE " "
 - FOUNDATION WALLS AND PIER FOOTINGS MUST BE DEEP ENOUGH TO BEAR ON SOLID GROUND, BELOW FROST LINE.

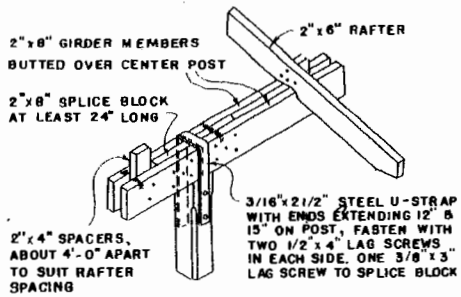
NOTE:

IF MOW IS USED, THE SMALLER ROOM AT RIGHT MAY BE USED FOR FEED STORAGE AND THE LARGER ROOM AT LEFT FOR TACK AND BUNK ROOM.



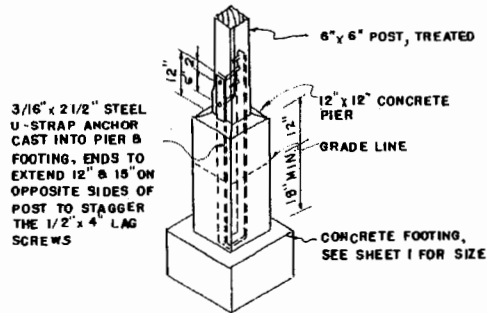
RIDING HORSE BARN

ENGINEER	SCALE
DRAWN BY	SHEET 1 OF 2
TRACKED BY	DATE
	NO. 5838

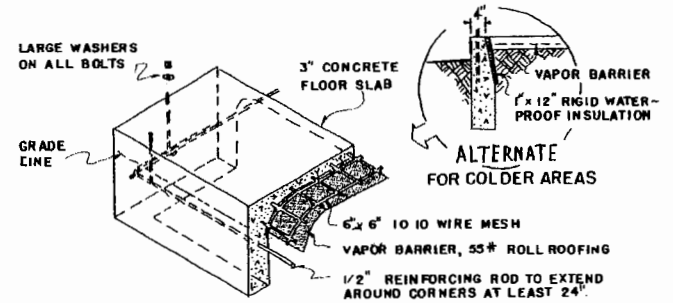


POST GIRDER & RAFTER DETAIL

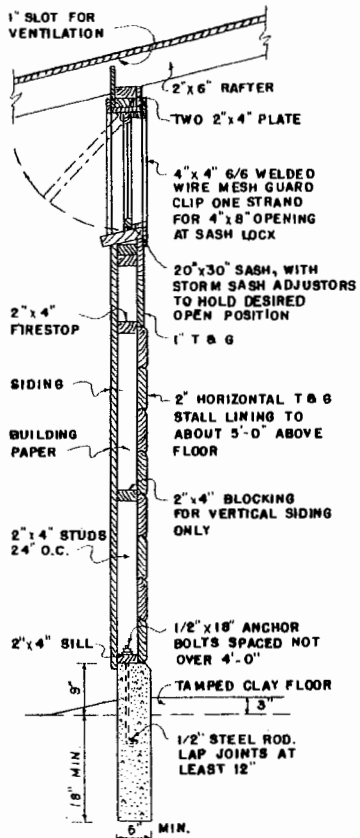
THE THREE PART GIRDER IS SIMILAR EXCEPT THE CENTER MEMBER JOINT SHALL BE 16" TO 30" FROM CENTER POST.



FOOTING, PIER & POST DETAIL

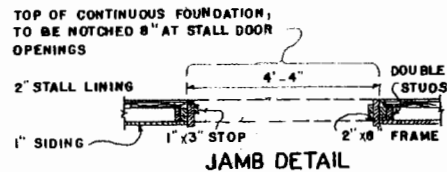


FOUNDATION & FLOOR DETAIL AT CORNER FOR FEED & TACK ROOMS

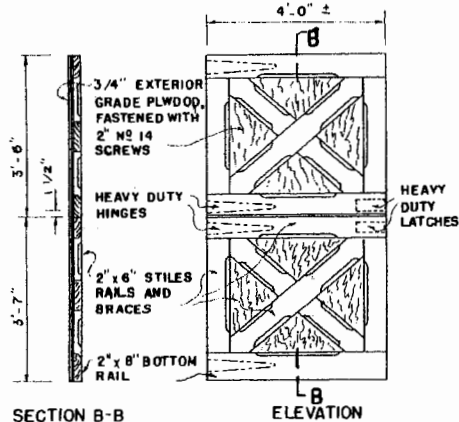


FOUNDATION, WALL, STALL WINDOW DETAIL

SCALE: 3/4" = 1'-0"

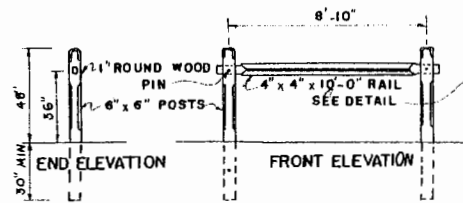


JAMB DETAIL



STALL DOOR DETAIL

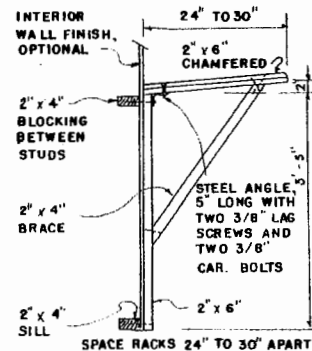
SCALE: 1/2" = 1'-0"



HITCHING RAIL

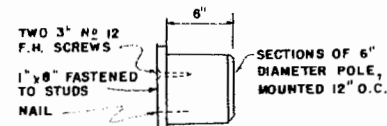
SCALE: 1/4" = 1'-0"

NOTE: RAIL & POSTS TO BE TREATED WITH PRESERVATIVE AFTER SHAPING



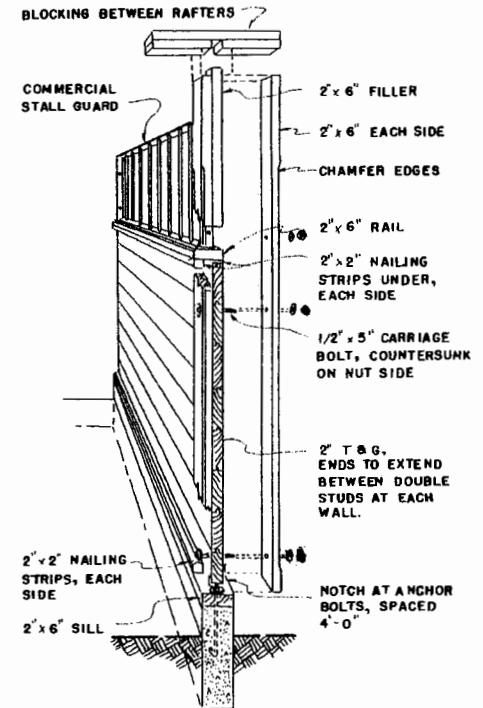
SADDLE RACK

SCALE: 3/4" = 1'-0"



BRIDLE RACK

SCALE: 1 1/2" = 1'-0"



CUTAWAY SECTION STALL PARTION



RIDING HORSE BARN

ENGINEER	SCALE
DRAWN BY	SHEET 2 OF 2
TRACED BY	DATE
	NO. 5838

Disclaimer

This site makes available conceptual plans that can be helpful in developing building layouts and selecting equipment for various agricultural applications. These plans do not necessarily represent the most current technology or construction codes. They are not construction plans and do not replace the need for competent design assistance in developing safe, legal and well-functioning agricultural building system. The LSU Agriculture Center, the Mid-West Plan Service, the United States Department of Agriculture and none of the cooperating land-grant universities warranty these plans.