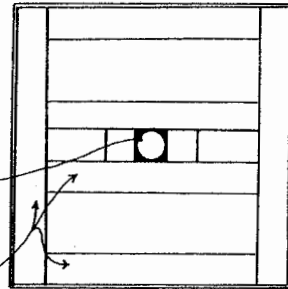


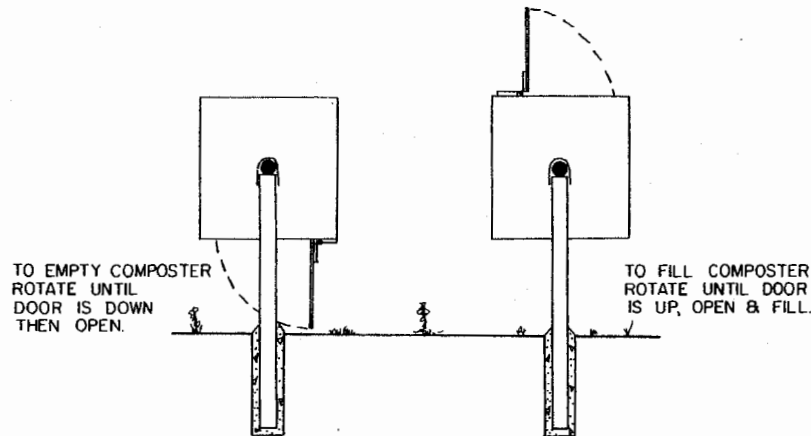
SHAFT COULD USE
4X4 ROUNDED
OVER POSTS FOR
ROTATION.

1X4 FOR NAILING
SIDE TO ENDS
AND REINFORCING
SHAFT SUPPORT.



$\frac{1}{2}$ " PLYWOOD EXTERIOR
GLUE FOR SIDES AND
ENDS.

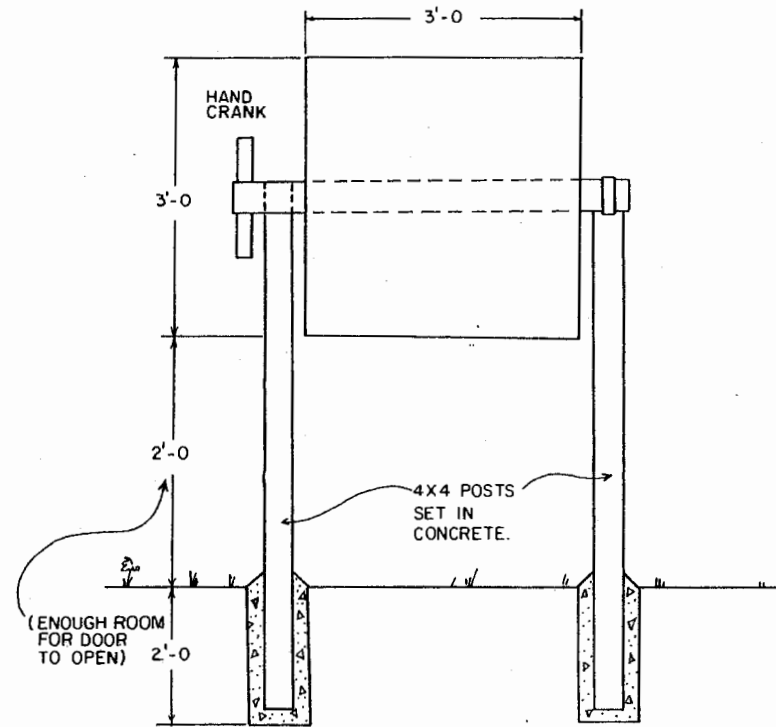
END VIEW DETAIL
SCALE: 1" = 1'-0"



TO EMPTY COMPOSTER
ROTATE UNTIL
DOOR IS DOWN
THEN OPEN.

TO FILL COMPOSTER
ROTATE UNTIL DOOR
IS UP, OPEN & FILL.

END VIEW
SCALE: $\frac{1}{2}$ " = 1'-0"



SIDE VIEW
SCALE: 1" = 1'-0"

SIZING -
3'-0" SHOULD BE MIN. DIMENSION
3' X 3' X 3' COMPOSTER HOLDS 27 CU.FT.



TURNING COMPOSTER

ENGINEER	BRANCH	SCALE	AS SHOWN
DRAWN BY	NICHOLS	SHEET	1 OF 1
TRACED BY	NICHOLS	DATE	7-'90 NO.48-15

Disclaimer

This site makes available conceptual plans that can be helpful in developing building layouts and selecting equipment for various agricultural applications. These plans do not necessarily represent the most current technology or construction codes. They are not construction plans and do not replace the need for competent design assistance in developing safe, legal and well-functioning agricultural building system. The LSU Agriculture Center, the Mid-West Plan Service, the United States Department of Agriculture and none of the cooperating land-grant universities warranty these plans.