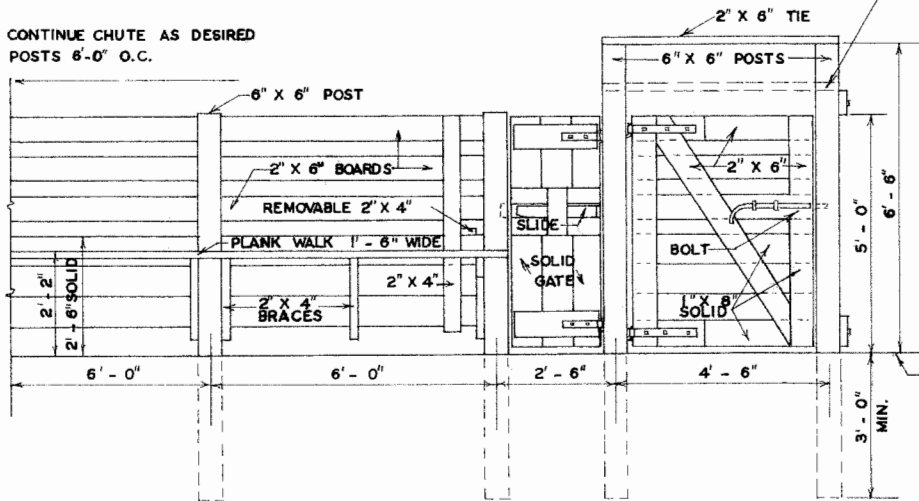
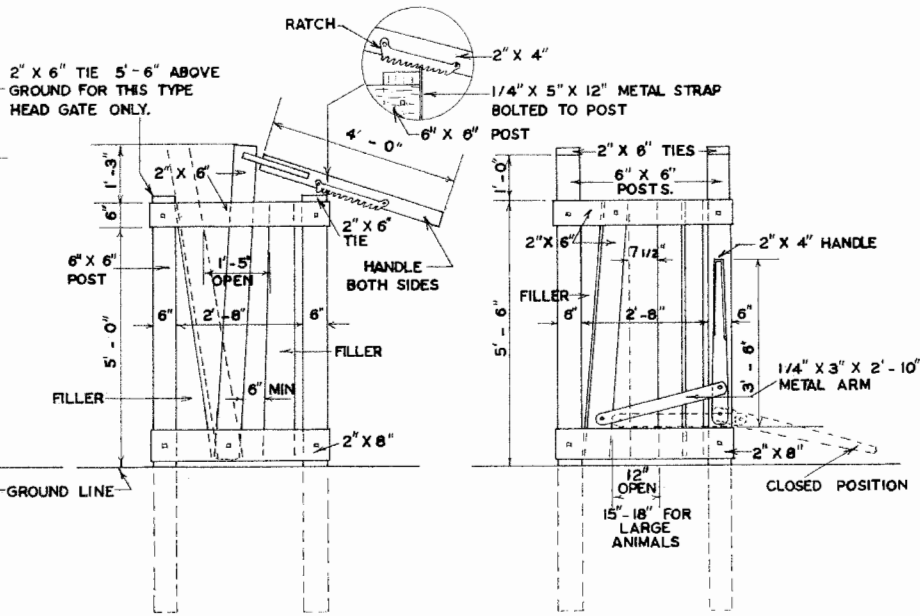


CONTINUE CHUTE AS DESIRED
POSTS 6'-0" O.C.



SIDE ELEVATION

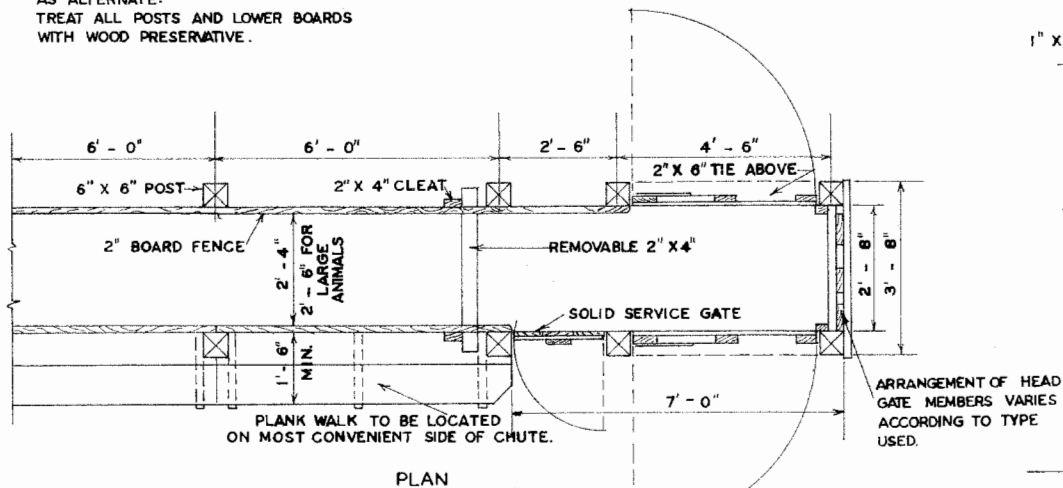


HEAD GATE
ELEVATION

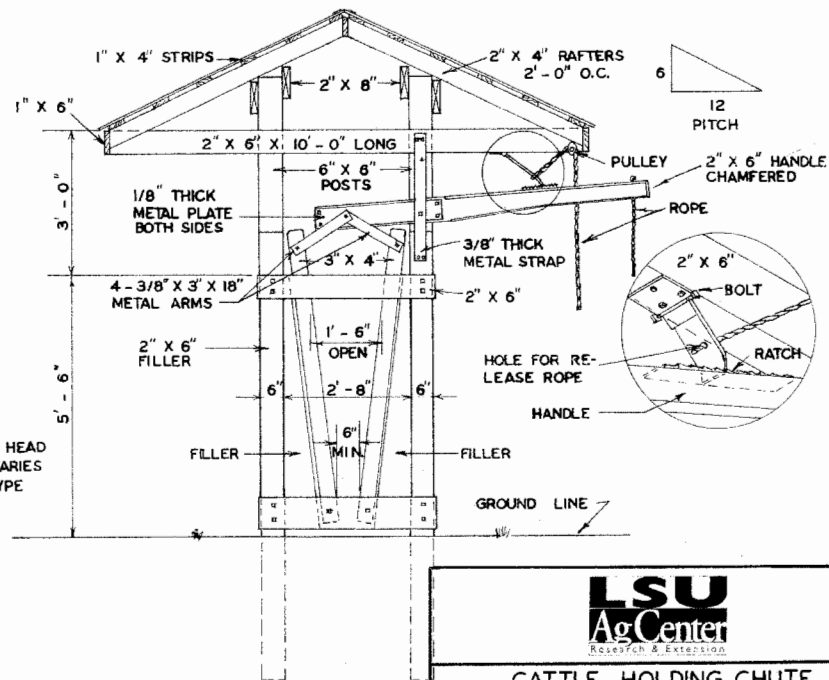
ALTERNATE
HEAD GATE

NOTE

PRESSURE TREATED LUMBER IS PREFERRED.
AS ALTERNATE:
TREAT ALL POSTS AND LOWER BOARDS
WITH WOOD PRESERVATIVE.



CATTLE HOLDING CHUTE & HEAD GATE



COVERED TYPE HEAD GATE



**CATTLE HOLDING CHUTE
AND HEAD GATE**

ENGINEER MD, '53	SCALE 1/2" = 1'-0"
DRAWN BY	SHEET OF
TRACED BY RWD	DATE FEB '63 NO. 5778

Disclaimer

This site makes available conceptual plans that can be helpful in developing building layouts and selecting equipment for various agricultural applications. These plans do not necessarily represent the most current technology or construction codes. They are not construction plans and do not replace the need for competent design assistance in developing safe, legal and well-functioning agricultural building system. The LSU Agriculture Center, the Mid-West Plan Service, the United States Department of Agriculture and none of the cooperating land-grant universities warranty these plans.