

FOUNDATION CORNER DETAIL

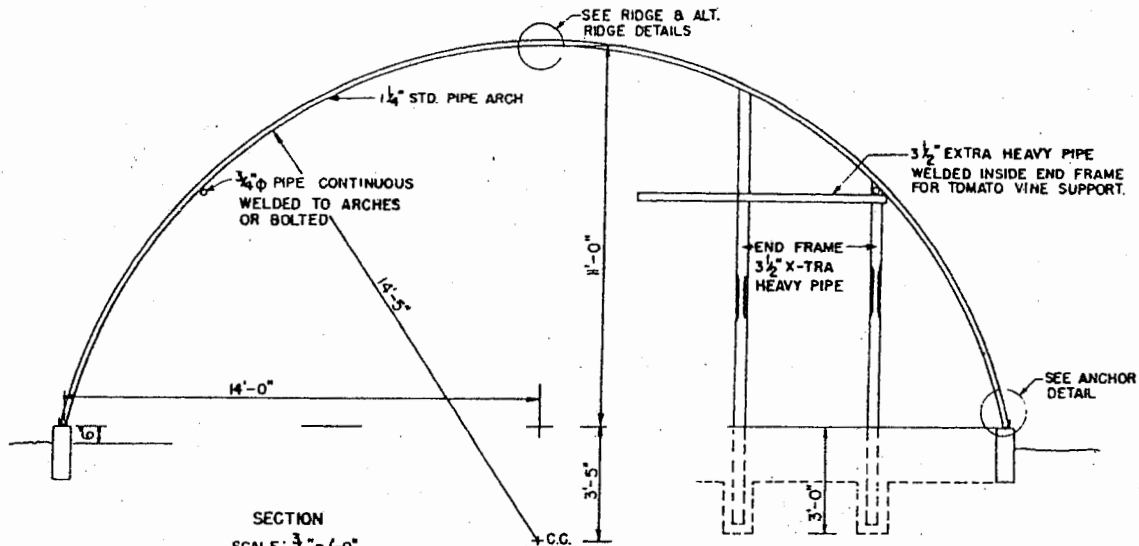
FLOOR PLAN  
SCALE: 3/16"=1'  
1" 0" 1" 2" 3" 4"

NOTE:  
CONSULT LOCAL HEALTH AND BUILDING  
CODE AUTHORITIES BEFORE STARTING  
CONSTRUCTION.

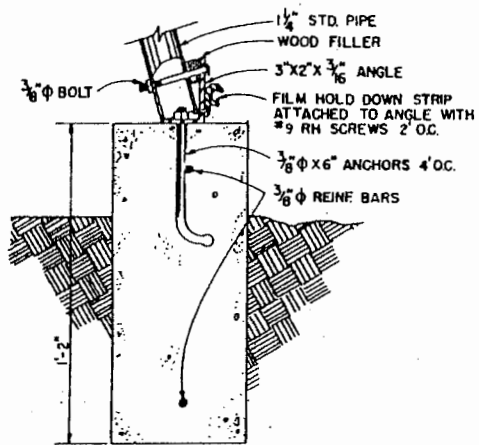
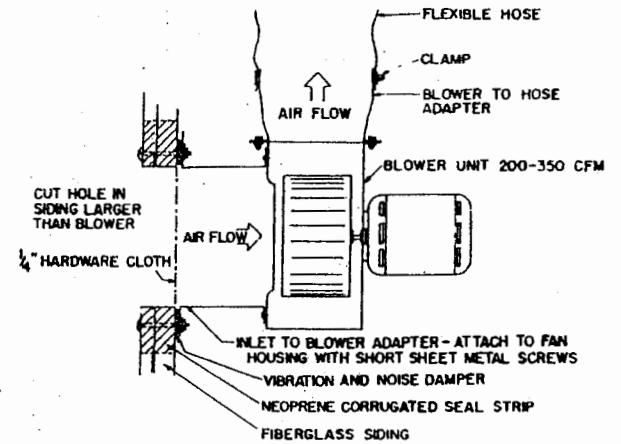
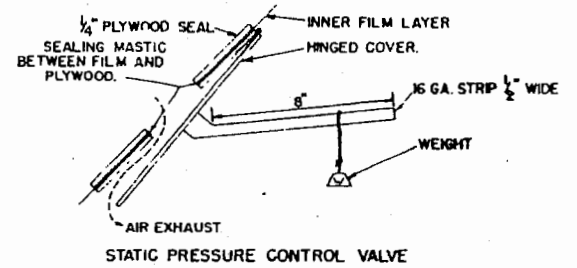


GREENHOUSE  
PIPE FRAME

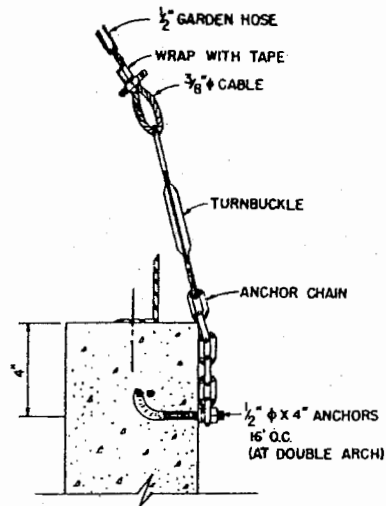
TEX. '75 6222 SHEET 1 OF 3



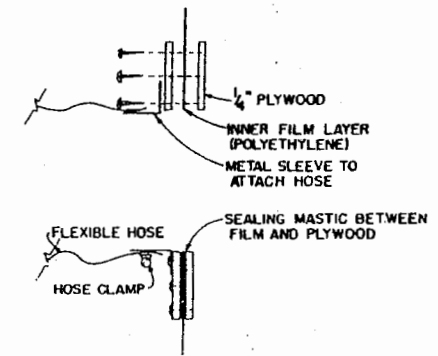
SECTION  
SCALE:  $\frac{3}{8}'' = 1'-0''$   
0 1 2



FOUNDATION DETAIL



TIE DOWN CABLE ANCHOR  
INSTALL ON BOTH SIDES OF BLDG.

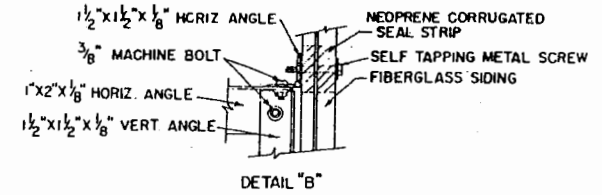
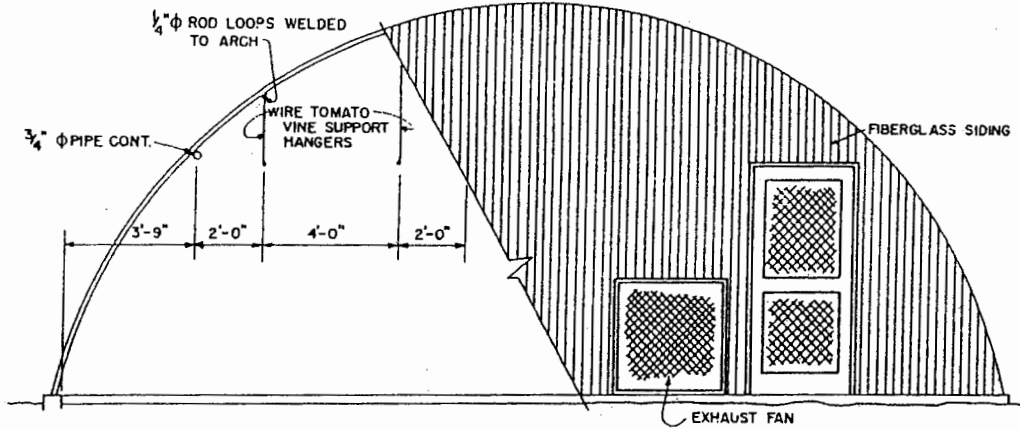


AIR SUPPLY ATTACHMENT

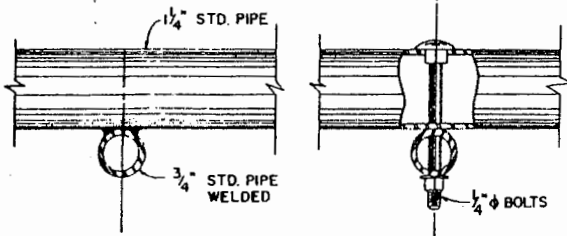


GREENHOUSE  
PIPE FRAME

TEX. '75 6222 SHEET 2 OF 3



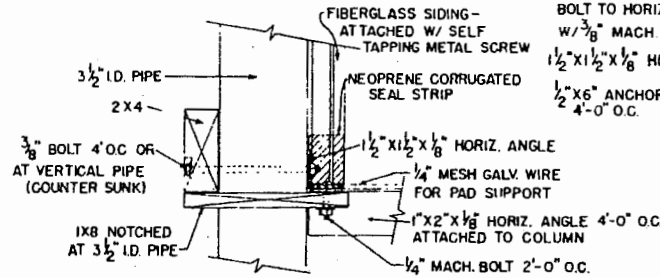
END ELEVATION & SECTION  
SCALE: 3/8" = 1'-0"



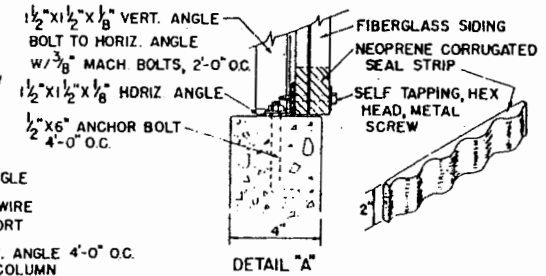
RIDGE DETAIL

ALT. RIDGE DETAIL

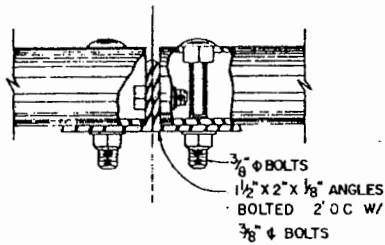
FOR CONTINUOUS ARCH  
(ACTUAL PIPE LENGTH 38'-3 5/8")



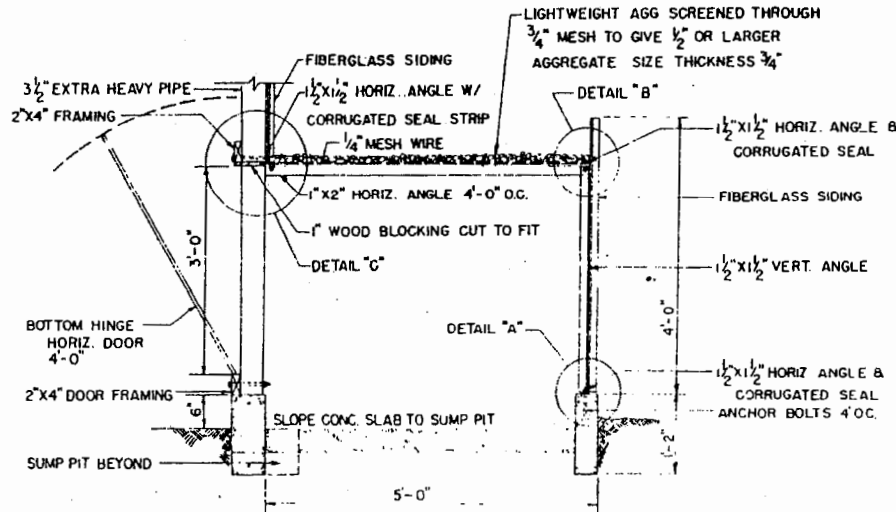
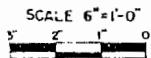
DETAIL "C"



DETAIL "A"



ALT RIDGE DETAIL  
USE TWO 20" ARCHES TO  
FORM 1 FRAME  
(ACTUAL PIPE LENGTH = 19'-1 13/16")



HORIZONTAL EVAPORATIVE PAD SECTION



GREENHOUSE  
PIPE FRAME

## Disclaimer

This site makes available conceptual plans that can be helpful in developing building layouts and selecting equipment for various agricultural applications. These plans do not necessarily represent the most current technology or construction codes. They are not construction plans and do not replace the need for competent design assistance in developing safe, legal and well-functioning agricultural building system. The LSU Agriculture Center, the Mid-West Plan Service, the United States Department of Agriculture and none of the cooperating land-grant universities warranty these plans.