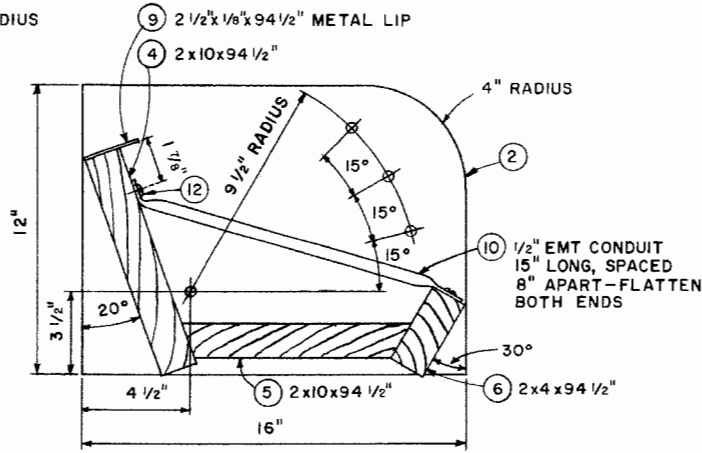


FEEDER END
SCALE: 3"=1'-0"

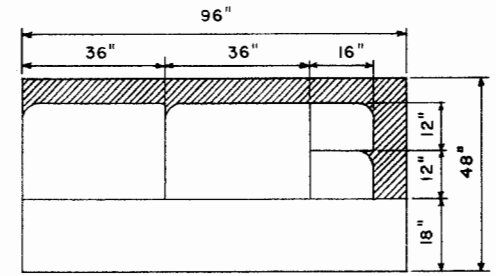
BILL OF MATERIAL

| NO. | NAME | MAT. | QN. | STOCK LIST & NOTES |
|-----|--------------------------|-------|-----|---|
| 1 | FEEDER END | WOOD | 2 | CUT FROM 4'-0" x 8'-0" SHEET, 3/4" B-C EXT-DFPA PLYWOOD |
| 2 | TROUGH END | " | 2 | " |
| 3 | STEP PANEL | " | 1 | " |
| 4 | TROUGH BACK | " | 1 | 2x10 DF } 16'-0" REQ'D |
| 5 | TROUGH BOTTOM | " | 1 | 2x10 DF } |
| 6 | TROUGH FRONT | " | 1 | 2x4 DF } |
| 7 | BRACE | " | 1 | 2x4 DF } 27'-0" REQ'D |
| 8 | STEP | " | 1 | 2x4 DF } |
| 9 | LIP | STEEL | 1 | 2 1/2" x 1/8" x 8'-0" LONG FLAT STOCK |
| 10 | SEPARATORS | ALUM. | 11 | 1/2" EMT CONDUIT |
| 11 | LEGS | STEEL | 4 | 2" x 2 1/8" x 9'-0" LONG ANGLE IRON |
| 12 | *10x1" RD. HD. WOOD SCR. | | 22 | |
| | 3/8" SQ. HD. BOLTS | | 21 | 8-1 1/2", 4-2", 4-3", 5-5" |
| | 3/8" SQ. HD. NUTS | | 21 | |
| | 3/8" MED. FLAT WASHERS | | 34 | |

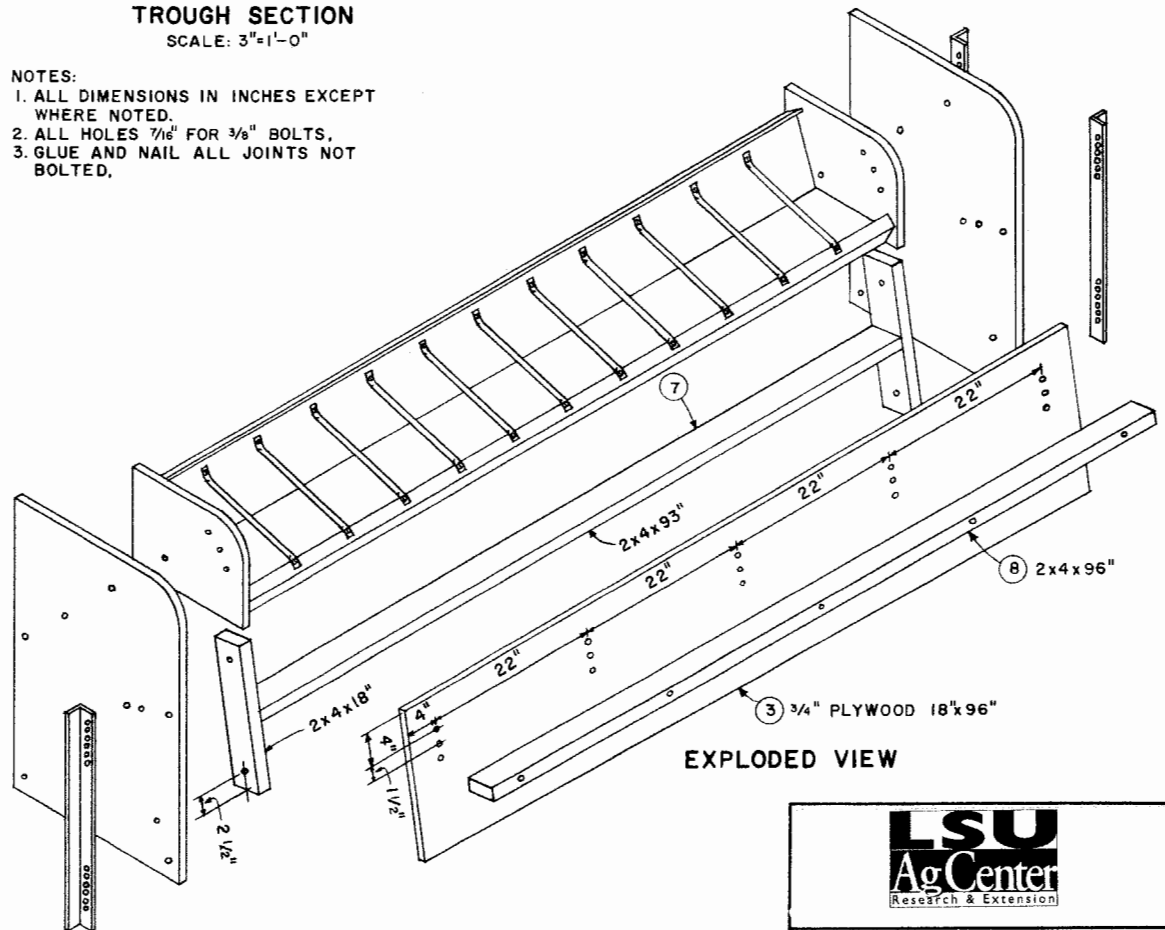


TROUGH SECTION
SCALE: 3"=1'-0"

- NOTES:
 1. ALL DIMENSIONS IN INCHES EXCEPT WHERE NOTED.
 2. ALL HOLES 7/16" FOR 3/8" BOLTS.
 3. GLUE AND NAIL ALL JOINTS NOT BOLTED.



PLYWOOD CUTTING DIAGRAM
SCALE: 1/2"=1'-0"



EXPLODED VIEW



**HOG FEEDER
STAND-UP TYPE**

CALIF. '72 **6144** SHEET 1 OF 1

Disclaimer

This site makes available conceptual plans that can be helpful in developing building layouts and selecting equipment for various agricultural applications. These plans do not necessarily represent the most current technology or construction codes. They are not construction plans and do not replace the need for competent design assistance in developing safe, legal and well-functioning agricultural building system. The LSU Agriculture Center, the Mid-West Plan Service, the United States Department of Agriculture and none of the cooperating land-grant universities warranty these plans.