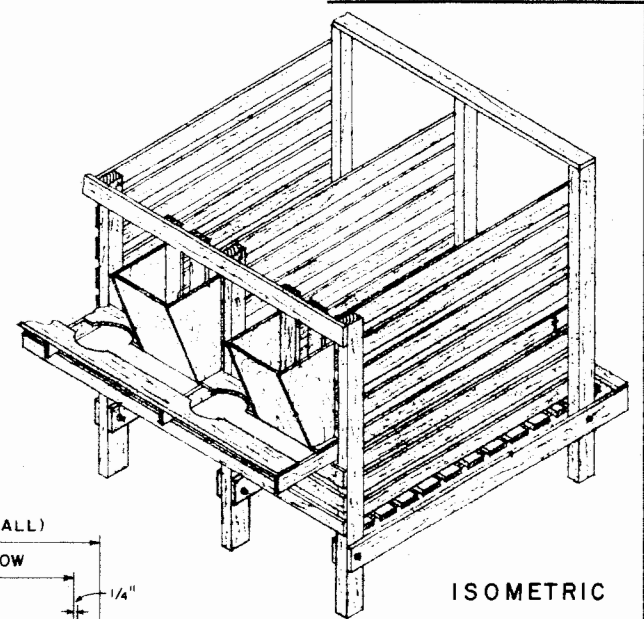


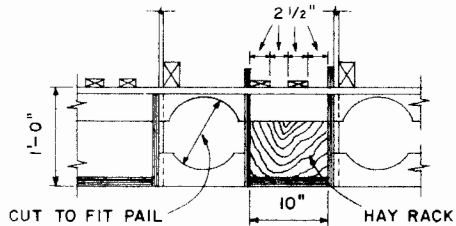
LIST OF MATERIALS
(All Sound Quality Planed Hardwood Lumber Having Good Resistance to Decay.)

SIZE*	LENGTH	QUANTITY	SIZE*	LENGTH	QUANTITY	SIZE*	LENGTH	QUANTITY
3/4" x 2"	19 1/2"	1 per Stall	2" x 3"	4'-3"	1 per Stall	NAILS: 1 1/2" (Common or Hardened)		
"	21 7/8"	1 per Stall	"	4'-0"	1 per Stall		1/10 lb. per Stall	
"	4' 3"	2 per Stall	3/4" x 2"	12'	1 per 6 Stalls	2" (Common or Hardened)		
3/4" x 3"	19 1/2"	1 per Stall	3/4" x 3"	12'	5 per 6 Stalls	BOLTS: 3/8" x 4" Mach. 2 per Stall		
"	21 7/8"	10 per Stall	3/4" x 4"	12'	2 per 6 Stalls		1/3 lb. per Stall	
"	27"	2 per Stall	1/2" ply. or			WASHERS: 3/8" Flat 4 per Stall		
"	4'-0"	7 per Stall	3/4" Bd.	10" x 19"	1 per Stall			
"	5'-0"	1 per Stall	1/2" ply.	12" x 16"	2 per Stall			
3/4" x 4"	4'-6" **	2 per Stall		(sloped)				

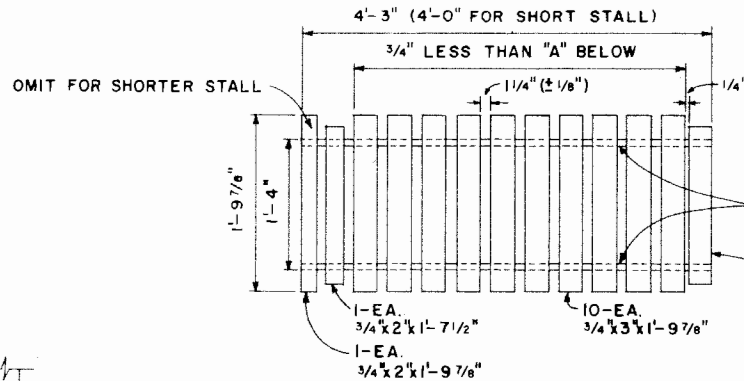
*All wood sizes "Actual"
**4'-6" for veal calves to 300 #.
Only 4'-0" for calves to 200 #.



ISOMETRIC



TOP VIEW



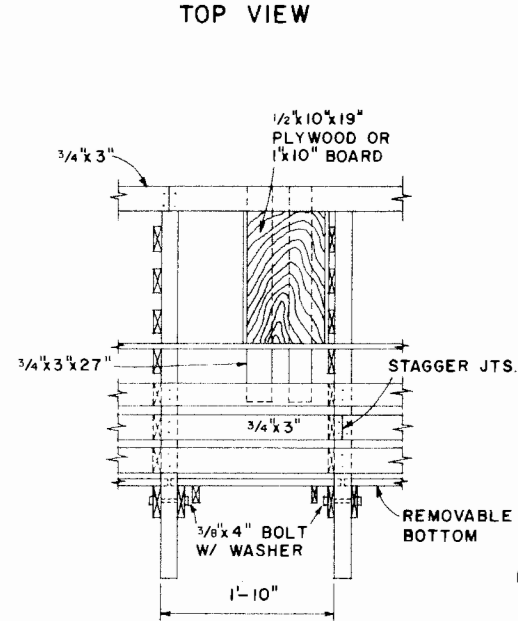
TOP VIEW-REMOVABLE BOTTOM

2-EA. 3/4" x 2" x 4'-3" (ON EDGE) (4'-0" FOR SHORT STALL)
1-EA. 3/4" x 3" x 1'-7 1/2"

NOTE:
CONSULT LOCAL HEALTH AND BUILDING CODE AUTHORITIES BEFORE STARTING CONSTRUCTION.

Mention of these firms does not constitute an endorsement by the Department of either their products or prices. No discrimination is intended, and no guarantee of reliability implied.

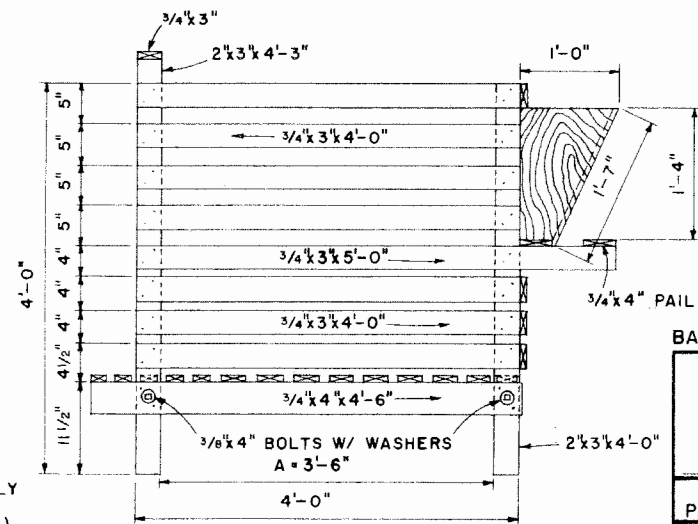
SCALE: 1"=1'-0" UNLESS OTHERWISE NOTED
12" 9" 6" 3" 0"



FRONT VIEW

ALTERNATE SHORT STALL
OPTIONAL FOR CALVES TO 200# OR 8 WEEKS OLD.

NOTE:
ALTERNATE FLOOR CAN BE SPECIALLY CONSTRUCTED:
METAL ROD FLOOR (3/8" RODS, 1" O.C.) WELDED TO 1/4" x 1" METAL STRAP ON EDGE OR 1" SQ. METAL TUBING.



SIDE VIEW

BASED ON: UNIV. OF KY. PLAN II.772-34

LSU
AgCenter
Research & Extension

ELEVATED CALF STALL
PAIL, HAY AND GRAIN FEEDING

KY.	'75	6199	SHEET 1 OF 1
-----	-----	------	--------------

Disclaimer

This site makes available conceptual plans that can be helpful in developing building layouts and selecting equipment for various agricultural applications. These plans do not necessarily represent the most current technology or construction codes. They are not construction plans and do not replace the need for competent design assistance in developing safe, legal and well-functioning agricultural building system. The LSU Agriculture Center, the Mid-West Plan Service, the United States Department of Agriculture and none of the cooperating land-grant universities warranty these plans.