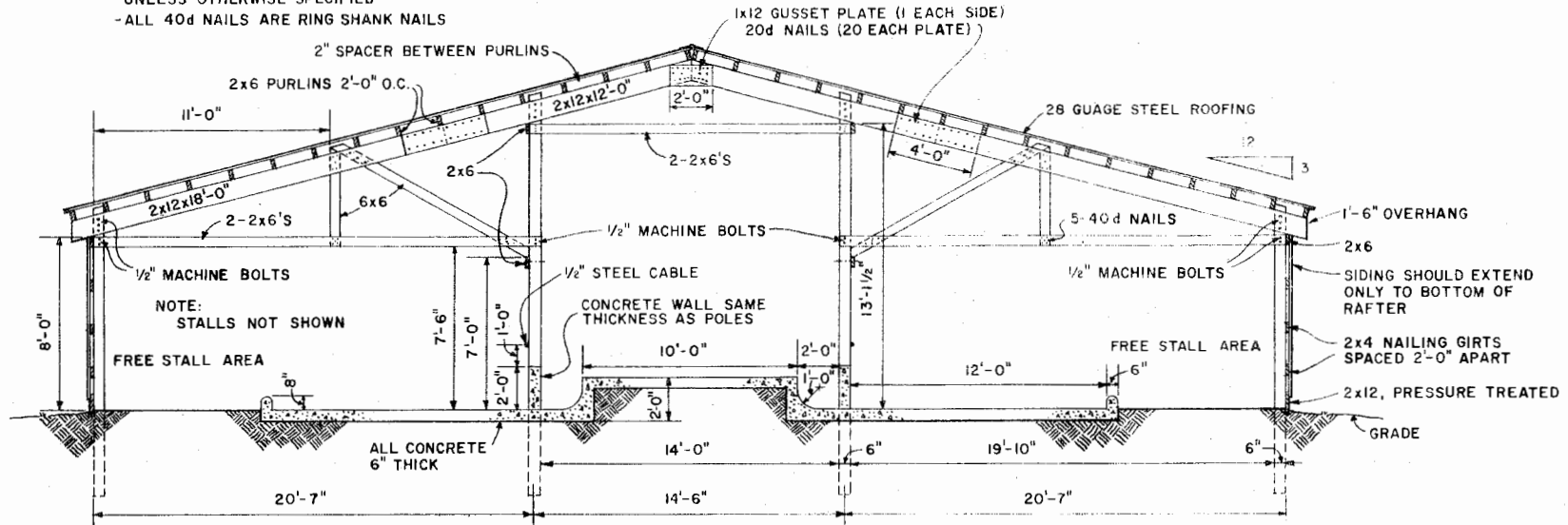
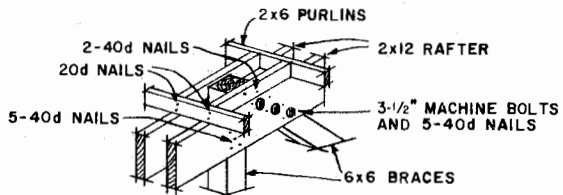


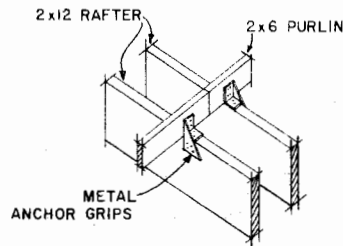
NOTE: -USE 3-40d NAILS FOR EACH 2x6 CONNECTION
AND 2-40d NAILS FOR EACH 2x4 CONNECTION
UNLESS OTHERWISE SPECIFIED
-ALL 40d NAILS ARE RING SHANK NAILS



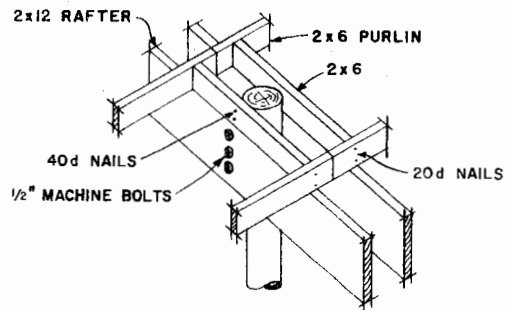
CROSS SECTION
SCALE: 1/4"=1'-0"



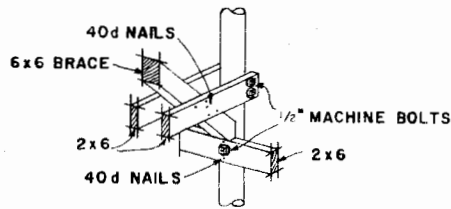
PURLIN TIE AT BRACE



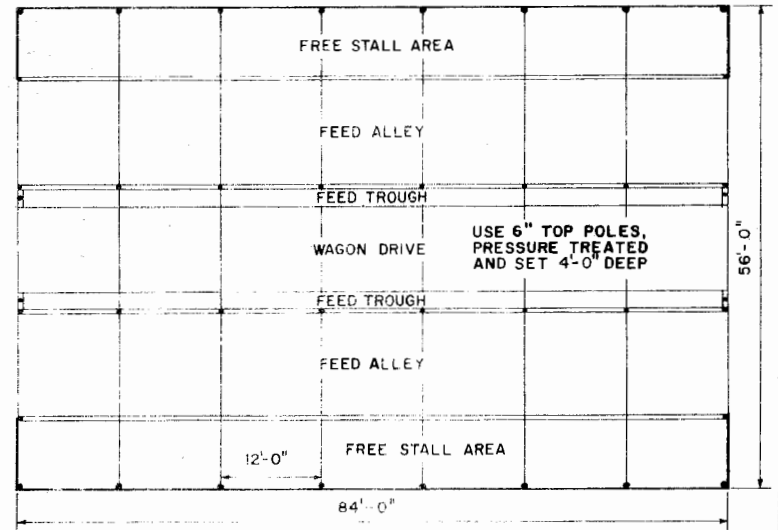
PURLIN TIE AT RAFTER



PURLIN TIE AT POLES



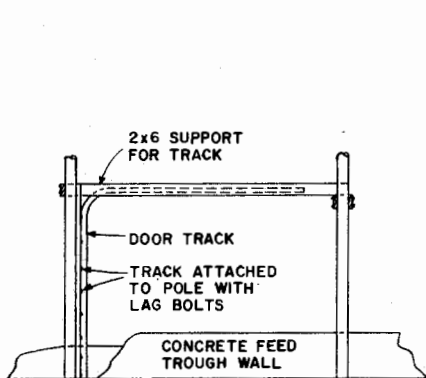
BRACE TIE AT INNER POLE



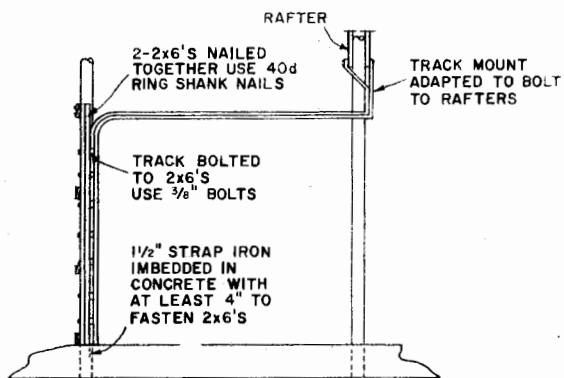
FLOOR PLAN
SCALE: 3/32"=1'-0"



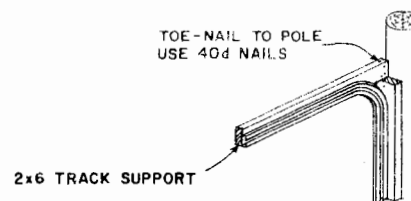
LSU AgCenter <small>Research & Extension</small>			
DAIRY BARN POLE FRAME CONSTRUCTION			
WYO.	71	6112	SHEET 1 OF 2



8'-0" DOORS, SIDE VIEW
SCALE: 1/4"=1'-0"



10'-0" DOOR, SIDE VIEW
SCALE: 1/4"=1'-0"



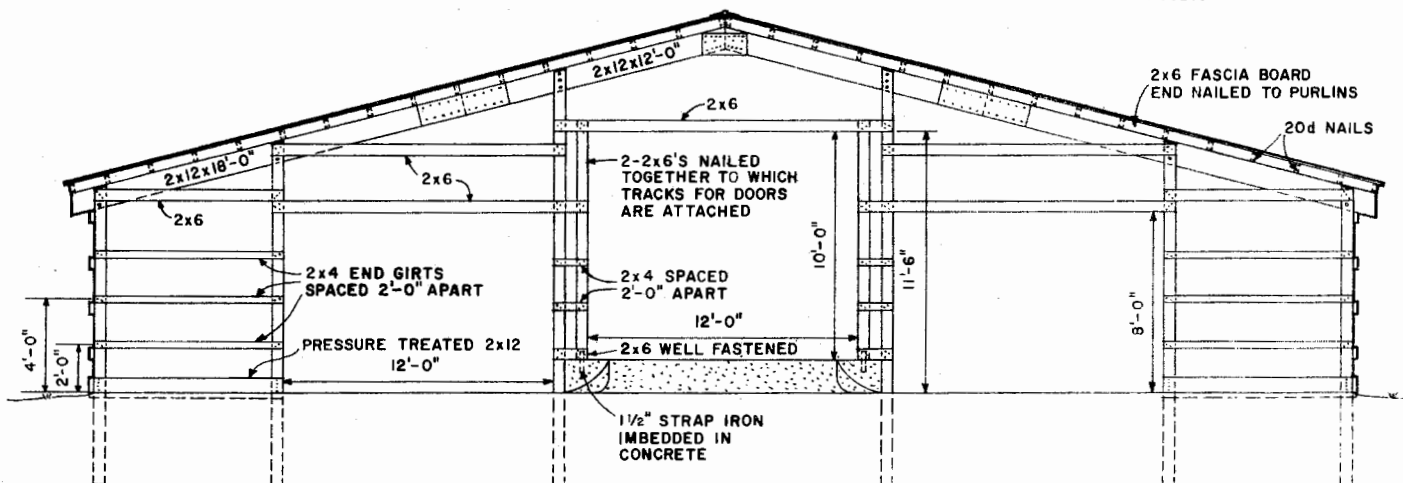
TRACK ATTACHMENT AT TOP

NOTE: IF TREATED 6x6 IS USED, TRACK SUPPORT SHOULD BE ATTACHED DIRECTLY TO POST.



TRACK ATTACHMENT AT POLES

NOTE: IF AVAILABLE, PRESSURE TREATED 6x6'S MAY BE USED FOR DOOR FRAME



FRAMING FOR DOORS, FRONT VIEW
SCALE: 1/4"=1'-0"

NOTE: USE 3 40d RING SHANK NAILS FOR EACH 2x6 GIRT CONNECTION
USE 2 NAILS FOR 2x4 GIRTS



Disclaimer

This site makes available conceptual plans that can be helpful in developing building layouts and selecting equipment for various agricultural applications. These plans do not necessarily represent the most current technology or construction codes. They are not construction plans and do not replace the need for competent design assistance in developing safe, legal and well-functioning agricultural building system. The LSU Agriculture Center, the Mid-West Plan Service, the United States Department of Agriculture and none of the cooperating land-grant universities warranty these plans.