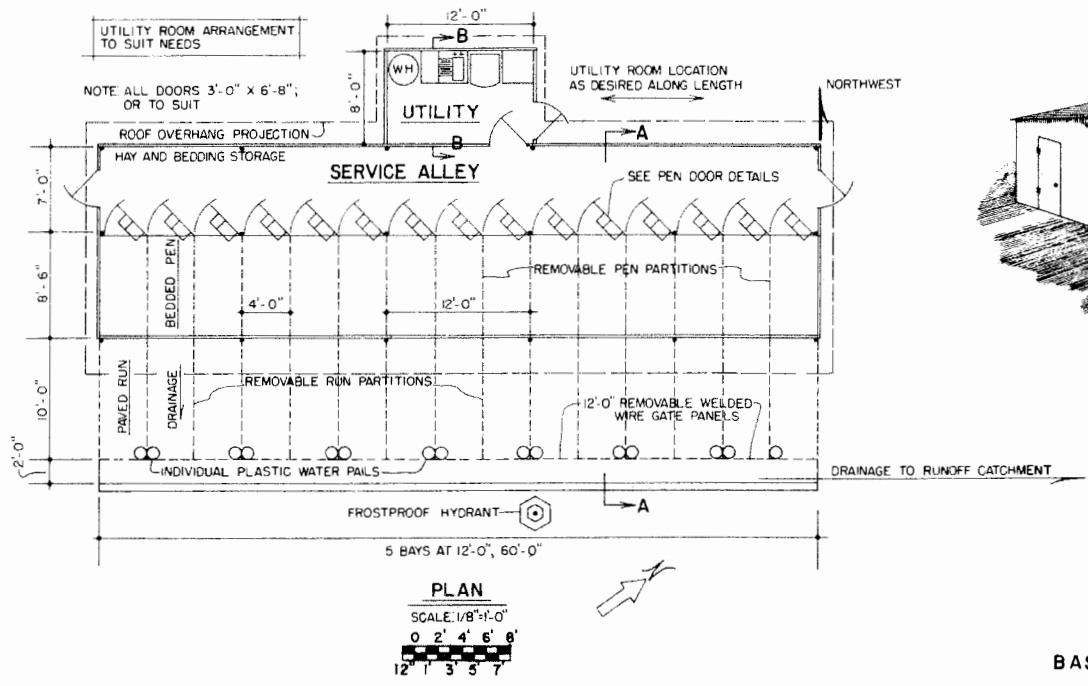


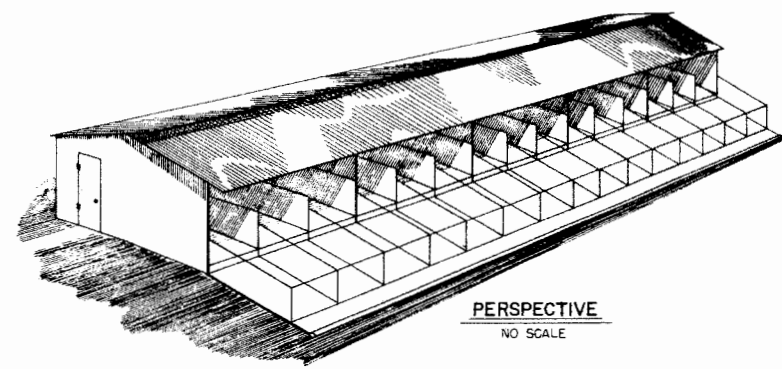
SECTION A-A
SCALE: 3/8"=1'-0"
12' 6" 0

CONSTRUCTION NOTES

1. WIRE RUN PARTITIONS ARE 9'-8" LONG WHERE CONNECTED TO FRONT POLES (6 REQUIRED IN 15-PEN UNIT).
2. USE FRAMING ANCHORS, PLUMBERS STRAP, OR OTHER MEANS TO SECURE RAFTERS AGAINST WIND UPLIFT.
3. UTILITY ROOM SHOULD BE INSULATED AND HEATED; TYPE OF INSULATION AND LINING MATERIALS ARE LEFT TO BUILDERS DISCRETION



PLAN
SCALE: 1/8"=1'-0"
0 2' 4' 6' 8'
12' 1' 3' 5' 7'

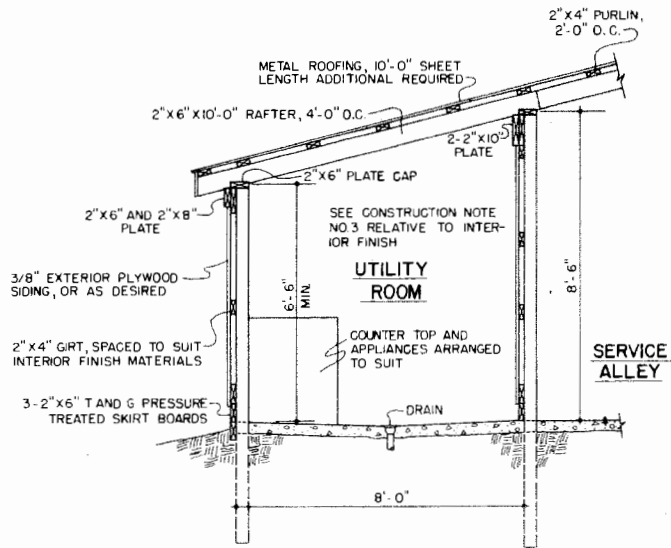


PERSPECTIVE
NO SCALE

NOTE:
CONSULT LOCAL HEALTH AND BUILDING CODE AUTHORITIES BEFORE STARTING CONSTRUCTION.

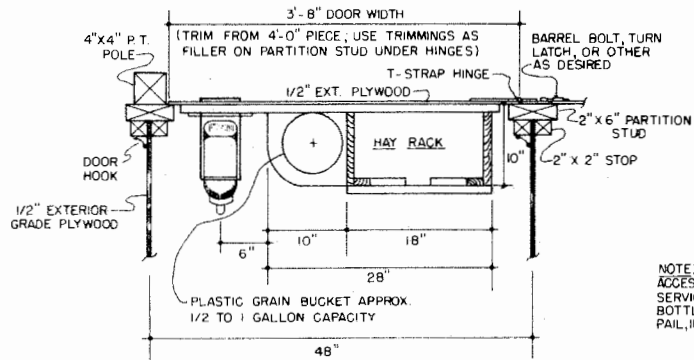
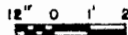
LSU AgCenter <small>Research & Extension</small>		
COLD CALF HOUSING INDIVIDUAL CONFINEMENT		
VA	'77 6271	SHEET 1 OF 2

BASED ON: VPI & SU
PLAN NO. B-7.61



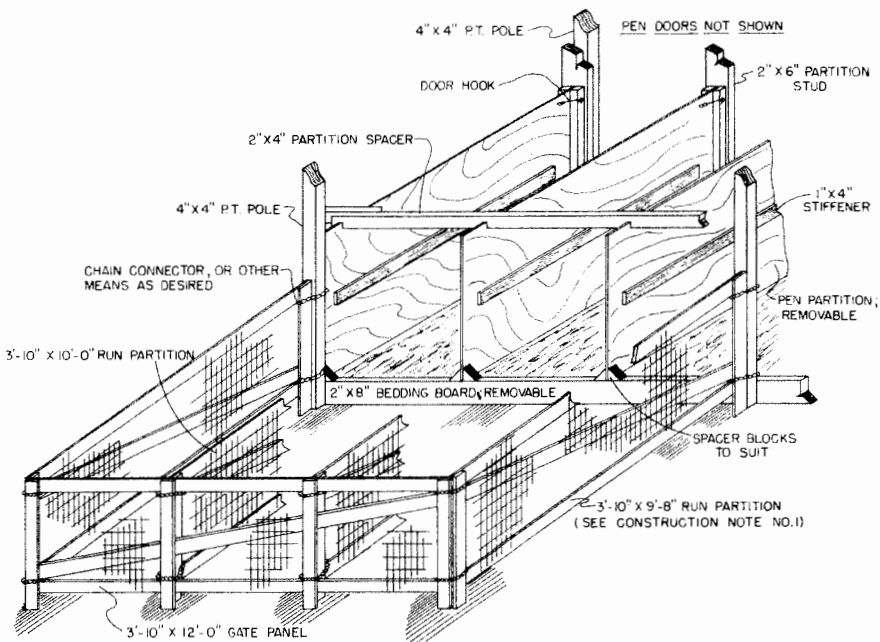
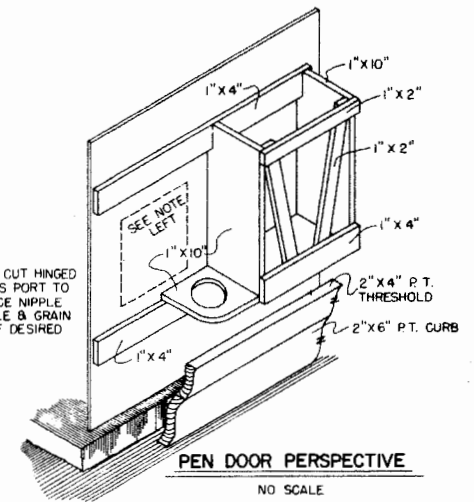
SECTION B-B

SCALE: 3/8" = 1'-0"



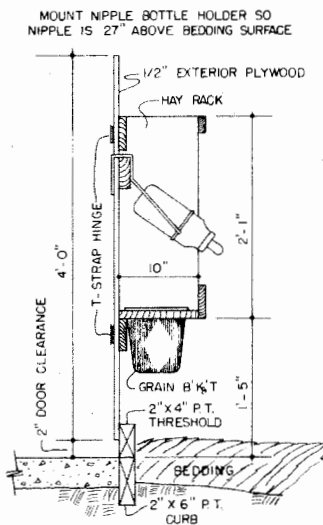
TOP VIEW OF PEN DOOR

SCALE: 1" = 1'-0"



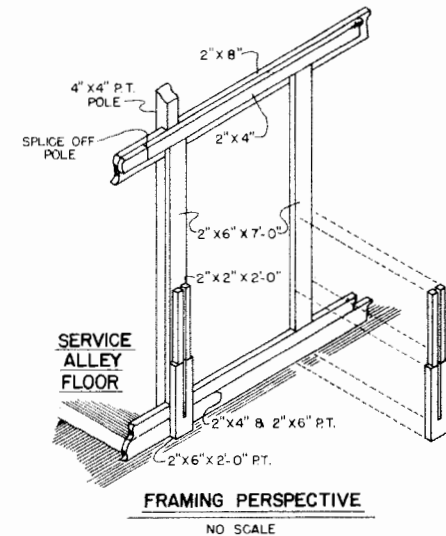
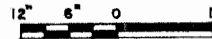
PARTITION PERSPECTIVE

NO SCALE



PEN DOOR SECTION

SCALE: 1" = 1'-0"



LSU
AgCenter
Research & Extension

COLD CALF HOUSING
INDIVIDUAL CONFINEMENT

VA '77 6271 SHEET 2 OF 2

Disclaimer

This site makes available conceptual plans that can be helpful in developing building layouts and selecting equipment for various agricultural applications. These plans do not necessarily represent the most current technology or construction codes. They are not construction plans and do not replace the need for competent design assistance in developing safe, legal and well-functioning agricultural building system. The LSU Agriculture Center, the Mid-West Plan Service, the United States Department of Agriculture and none of the cooperating land-grant universities warranty these plans.