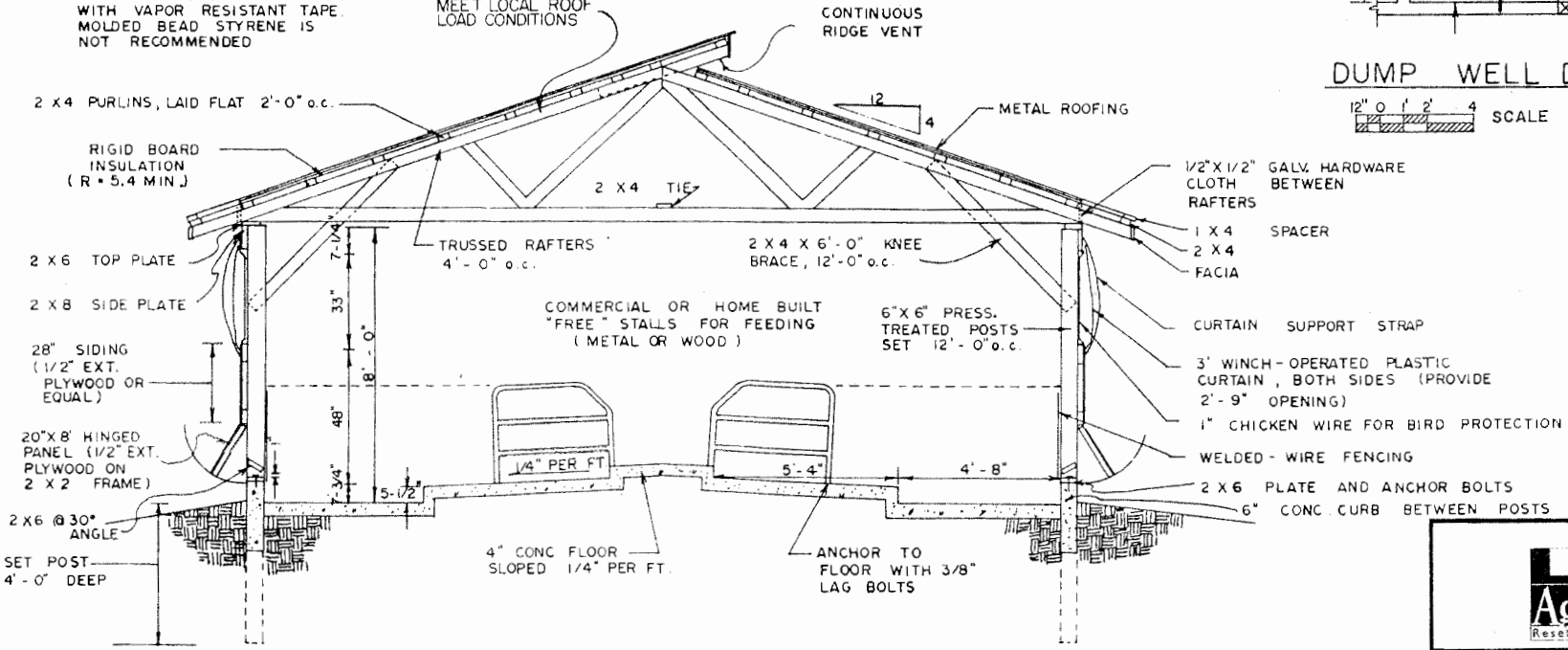


NOTE:
INSULATION JOINTS TO BE TONGUE B GROOVE OR TAPED WITH VAPOR RESISTANT TAPE. MOLDED BEAD STYRENE IS NOT RECOMMENDED

NOTE:
ORDER TRUSS TO MEET LOCAL ROOF LOAD CONDITIONS

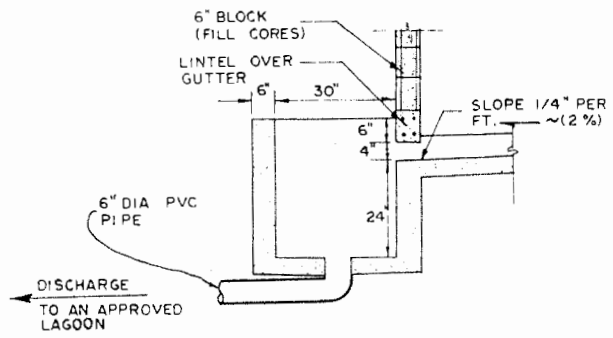


NOTE:
SOWS ARE TO BE GROUPED 6 PER PEN

LSU
AgCenter
Research & Extension

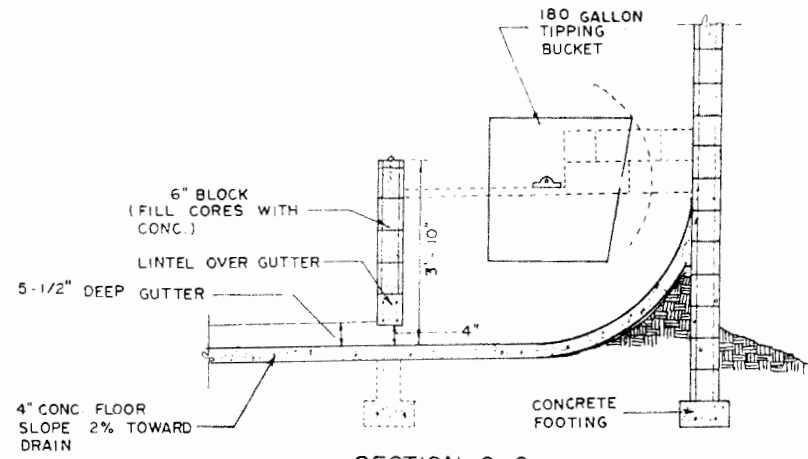
SWINE GESTATION HOUSE WITH FEEDING STALLS-CURTAIN WALL

TN. '88	6400	SHEET 1 OF 2
---------	------	--------------



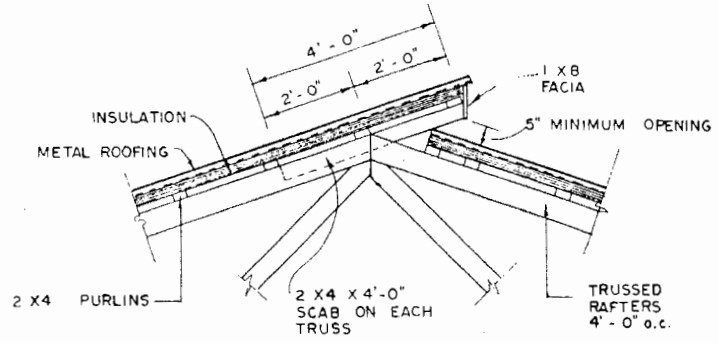
SECTION B-B

12" 6" 0" 1" 2" SCALE 1/2" = 1'-0"



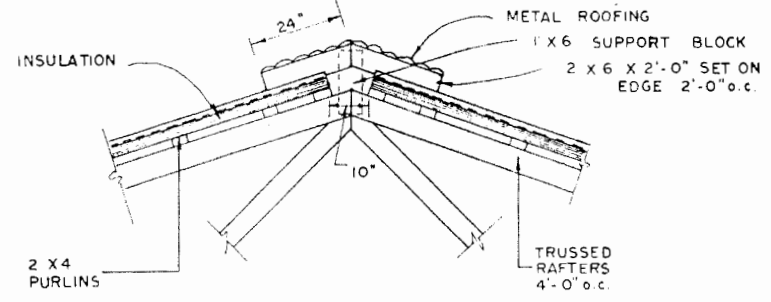
SECTION C-C

12" 6" 0" 1" 2" SCALE 1/2" = 1'-0"



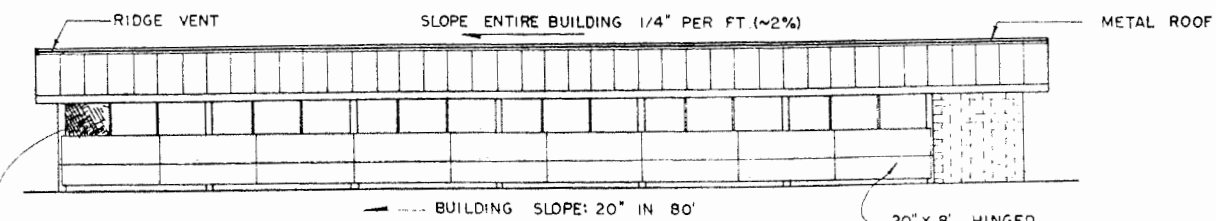
RIDGE VENT DETAIL

12" 6" 0" 1" 2" SCALE 1/2" = 1'-0"



ALTERNATE RIDGE VENT

12" 6" 0" 1" 2" SCALE 1/2" = 1'-0"



SIDE ELEVATION

12' 0" 1" 4" 1" SCALE 1/8" = 1'-0"



SWINE GESTATION HOUSE WITH FEEDING STALLS-CURTAIN WALL		
TN. '88	6400	SHEET 2 OF 2

Disclaimer

This site makes available conceptual plans that can be helpful in developing building layouts and selecting equipment for various agricultural applications. These plans do not necessarily represent the most current technology or construction codes. They are not construction plans and do not replace the need for competent design assistance in developing safe, legal and well-functioning agricultural building system. The LSU Agriculture Center, the Mid-West Plan Service, the United States Department of Agriculture and none of the cooperating land-grant universities warranty these plans.