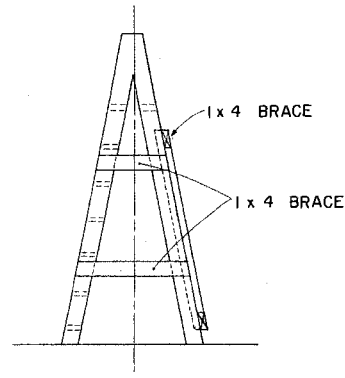
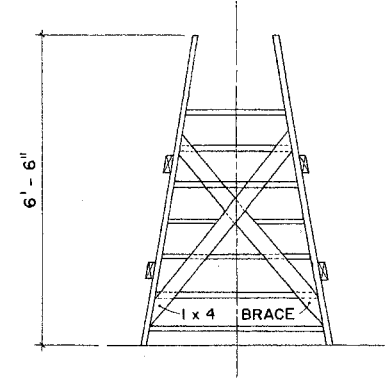


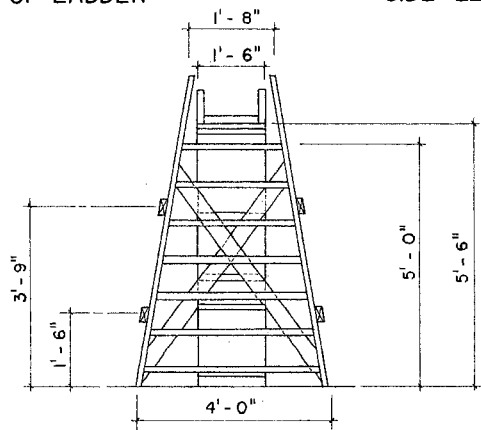
REAR ELEVATION OF LADDER



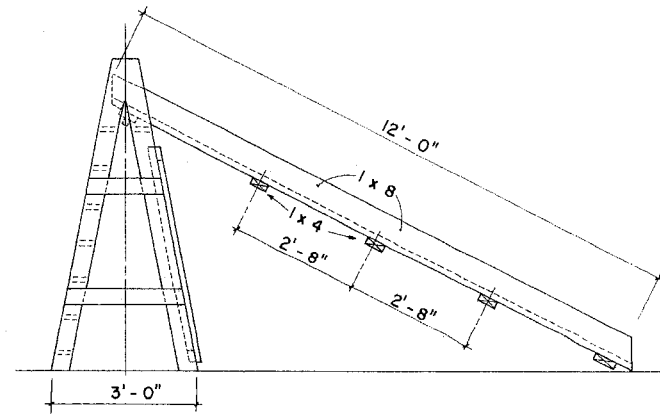
SIDE ELEVATION OF LADDER



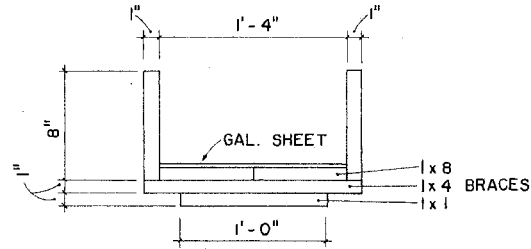
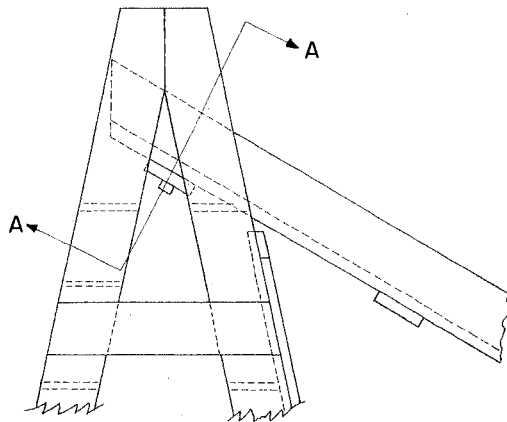
BRACING DETAIL



REAR ELEVATION

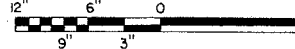


SIDE ELEVATION



SECTION A - A

SCALE 1 1/2" = 1' - 0"



**SLIDING BOARD**



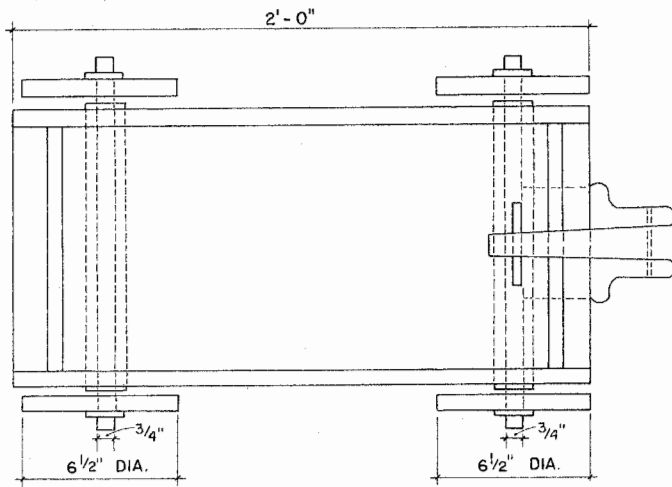
SCALE: 1/2" = 1' - 0" UNLESS OTHERWISE NOTE



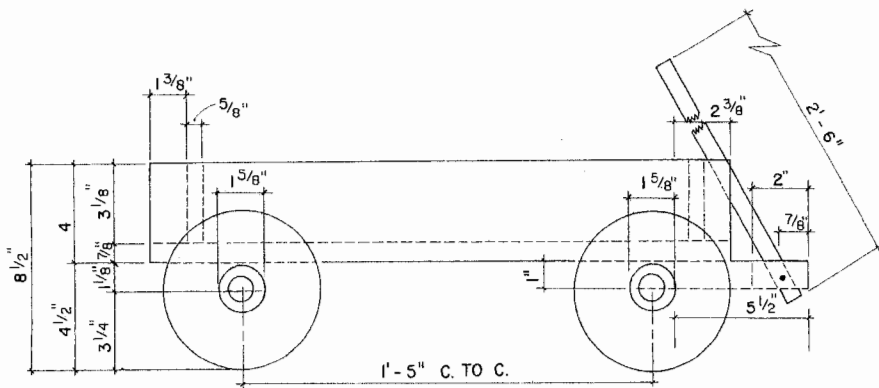
PLAYGROUND EQUIPMENT

USDA '79 EX. 6317 SHEET 1 OF 4

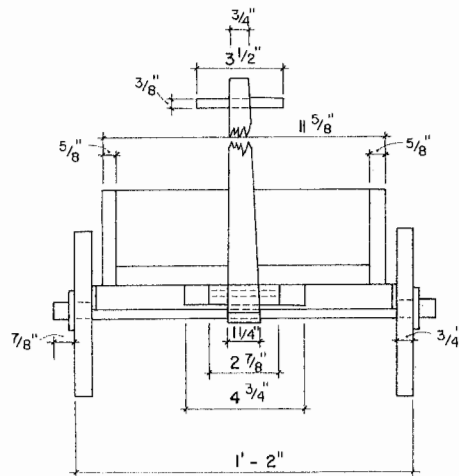
BASED ON: AUBURN UNIV. PLAN NO. E-302



PLAN



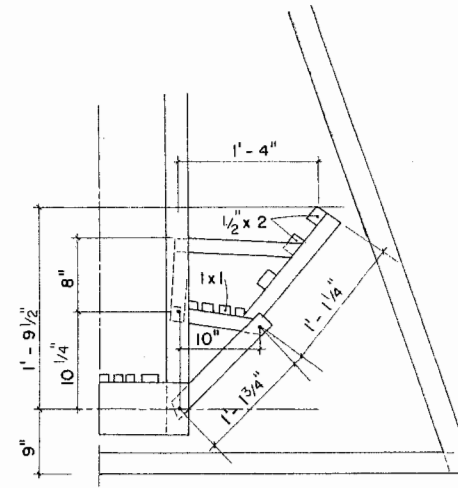
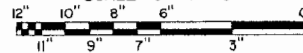
SIDE ELEVATION



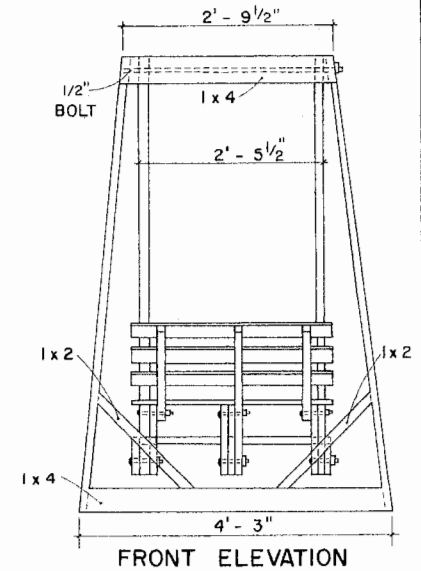
FRONT ELEVATION

**CHILD'S WAGON**

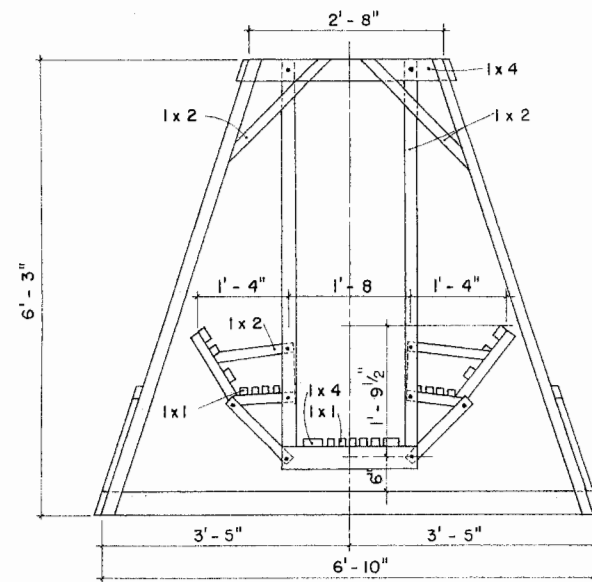
SCALE: 3/8" = 1' - 0"



DETAIL  
NOT TO SCALE



FRONT ELEVATION



SIDE ELEVATION

SCALE: 3/4" = 1' - 0" UNLESS OTHERWISE NOTE

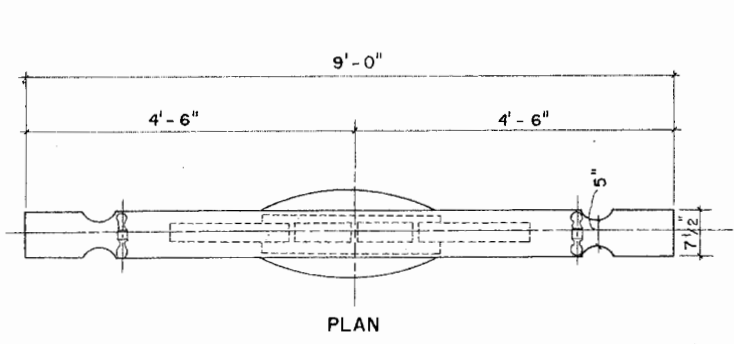
**CHILD'S SWING**

SCALE: 3/4" = 1' - 0"

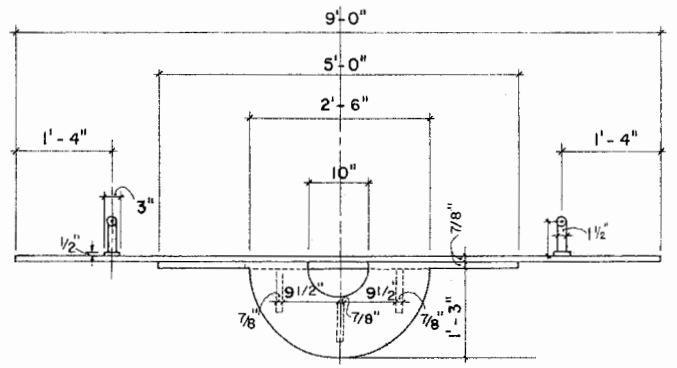


PLAYGROUND EQUIPMENT

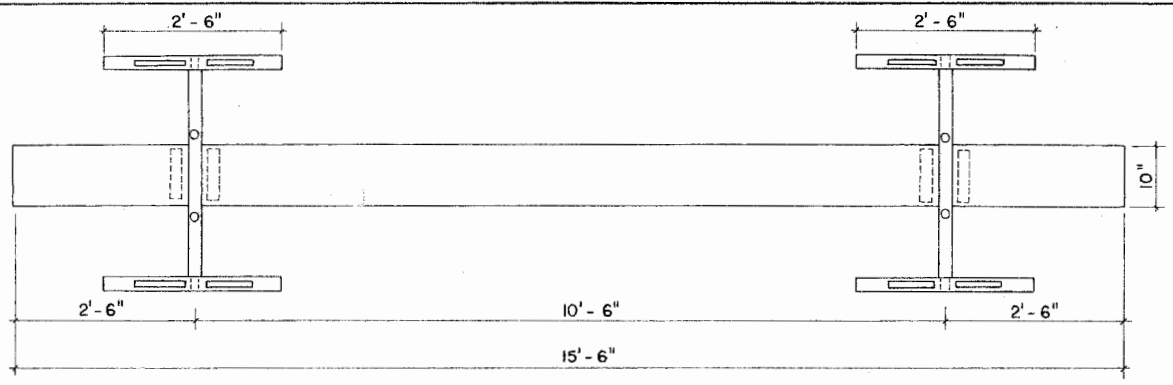
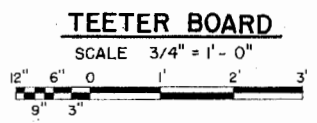
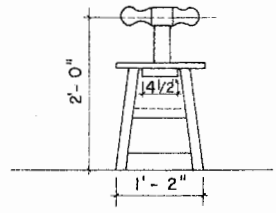
USDA '79 EX. 6317 SHEET 2 OF 4



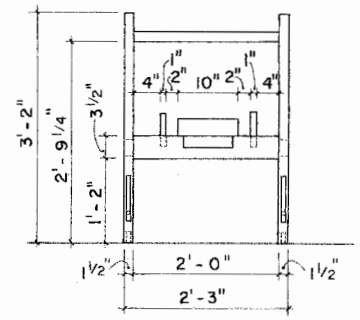
PLAN



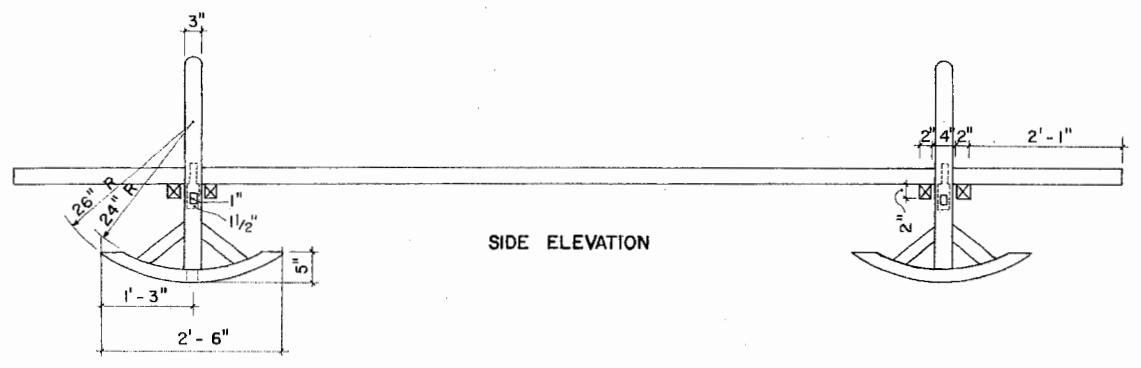
SIDE ELEVATION



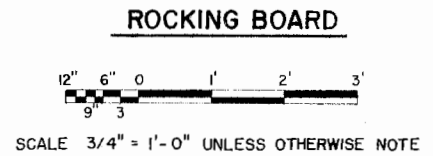
PLAN



ELEVATION



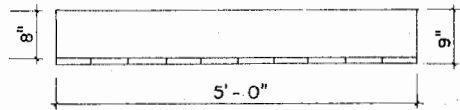
SIDE ELEVATION



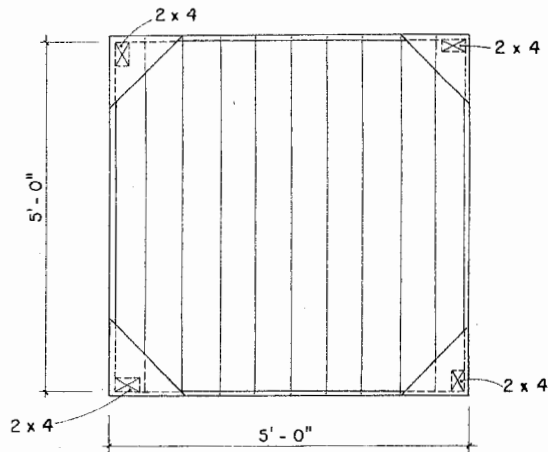
**LSU**  
**AgCenter**  
 Research & Extension

PLAYGROUND EQUIPMENT

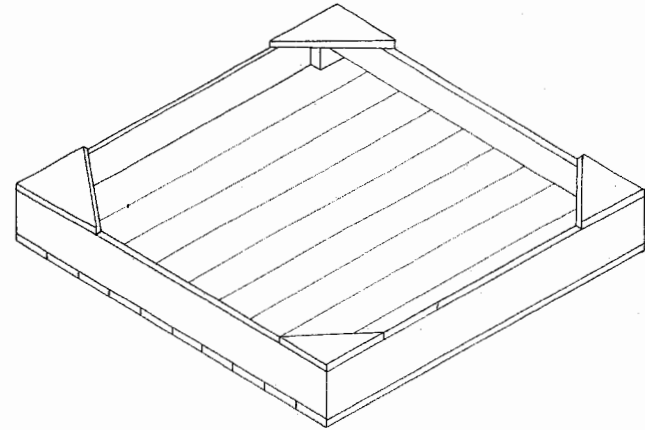
USDA '79	EX. 6317	SHEET 3 OF 4
----------	----------	--------------



SIDE ELEVATION



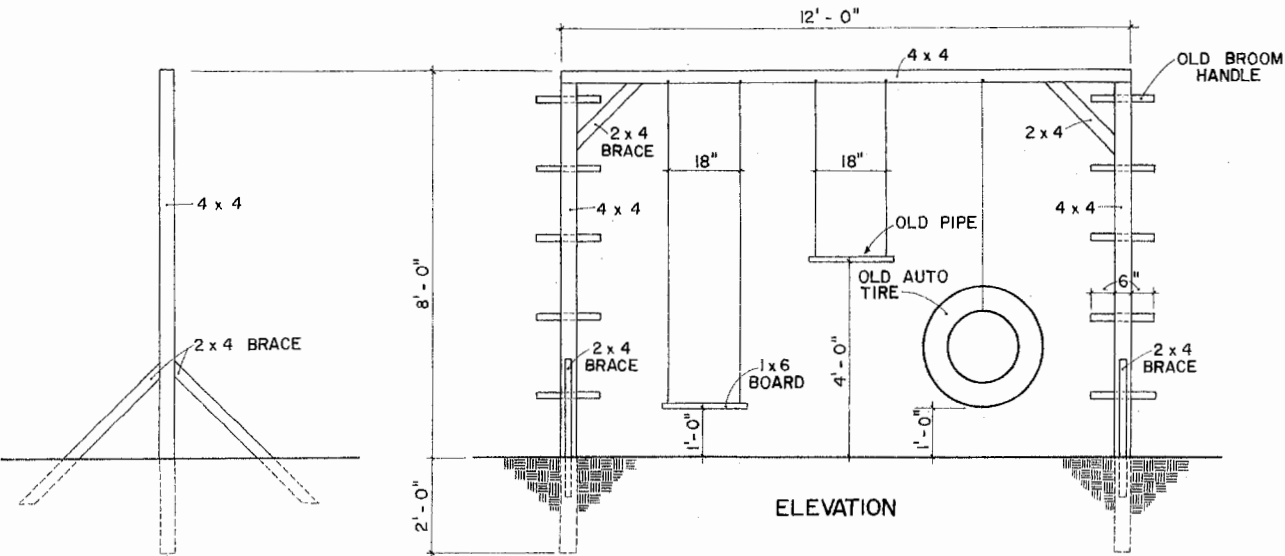
PLAN



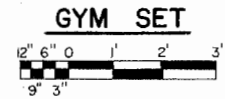
ISOMETRIC

**SAND BOX**

SCALE 3/4" = 1' - 0"  
12' 6" 3" 0" 1'



ELEVATION



**GYM SET**

SCALE: 1/2" = 1' - 0" UNLESS OTHERWISE NOTE

POST DETAIL



PLAYGROUND EQUIPMENT

## Disclaimer

This site makes available conceptual plans that can be helpful in developing building layouts and selecting equipment for various agricultural applications. These plans do not necessarily represent the most current technology or construction codes. They are not construction plans and do not replace the need for competent design assistance in developing safe, legal and well-functioning agricultural building system. The LSU Agriculture Center, the Mid-West Plan Service, the United States Department of Agriculture and none of the cooperating land-grant universities warranty these plans.