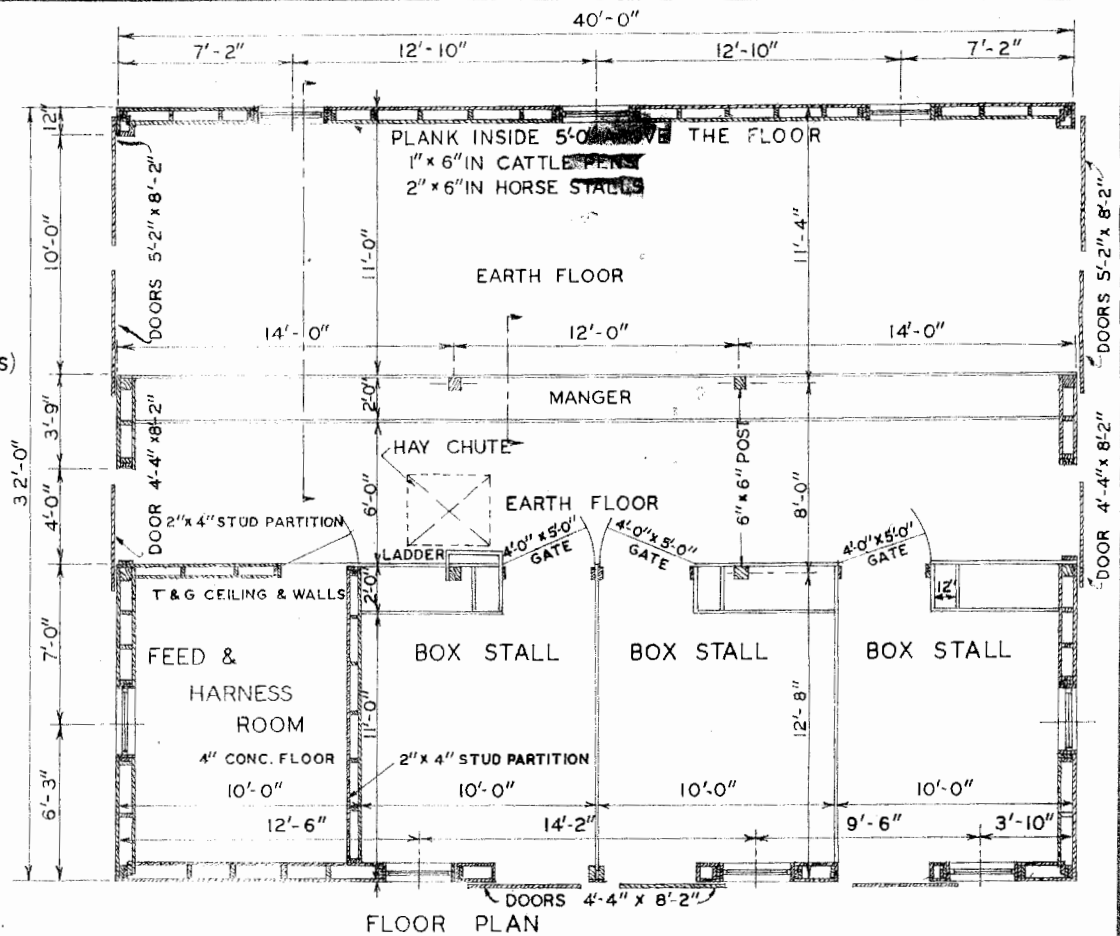
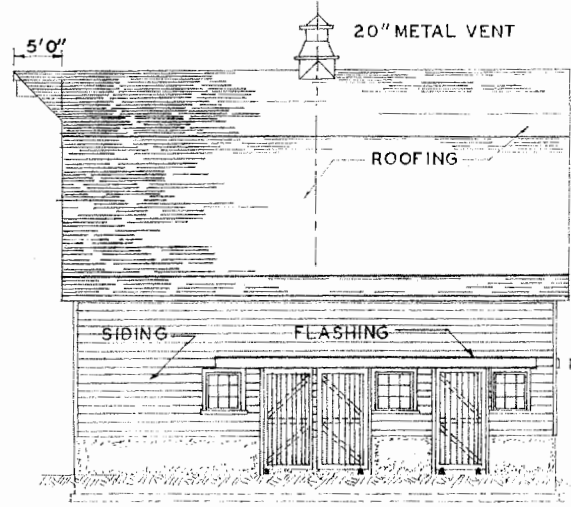


CONCRETE	1:2 1/2:4	CEMENT	113 BAGS	SAND	12 CU. YDS.	STONE	17.25 CU. YDS.
SILLS	PCS-8	2" x 6"	10'-0"	PARTITION STALLS	PCS-41	2" x 6"	14'-0"
"	"	3	2" x 6"	"	"	11	2" x 6"
"	"	4	2" x 6"	INTERIOR PLANKING	140	SQ. FT.	
"	"	2	2" x 6"	SIDING	2460	BD. FT.	
PLATES	16	2" x 6"	10'-0"	SHEATHING	2630	"	
"	"	4	2" x 6"	ROOFING	23	SQUARES	
"	"	4	2" x 6"	FLOORING	1600	SQ. FT.	
JOISTS	21	2" x 10"	12'-0"	T&G CEILING	600	"	
"	"	21	2" x 10"	VENTILATOR	1	20" METAL	
"	"	21	2" x 10"	BOLTS	14	5/8 x 18"	
LOOKOUTS	14	2" x 4"	12'-0"	FLASHING (OVER DOORS AND WINDOWS)			
RAFTER BRACES	40	2" x 6"	14'-0"	RIDGEBOARDS	PCS, 1	2" x 10"	14'-0"
"	"	40	2" x 6"	"	2	1" x 8"	16'-0"
COLLARS	20	2" x 6"	12'-0"	WINDOWS	12 SS.	9LTS	9 1/2 GI.
CLEATS	21	2" x 8"	12'-0"	GATES	3	4'-0" x 5'-0"	
BRACES	5	2" x 6"	16'-0"	DOORS	4	5'-2" x 8'-2"	
RAFTERS	42	2" x 6"	14'-0"	"	5	4'-4" x 8'-2"	
"	"	42	2" x 6"	"	1	3'-0" x 7'-0"	
RIBBONS	8	1" x 6"	10'-0"	"	1	4'-4" x 5'-0"	
STUDS	95	2" x 6"	12'-0"	"	2	4'-2" x 10'-2"	
"	"	24	2" x 6"	WINDOW SILLS	PCS, 4	2" x 8"	12'-0"
"	"	31	2" x 6"	" PLATES	4	2" x 6"	12'-0"
"	"	6	2" x 6"	" SHIELDS	4	1" x 10"	12'-0"
POSTS	2	6" x 6"	14'-0"	DOWELS	4	5/8 x 6"	
"	"	2	6" x 6"	VERGE RAFTERS	4	1" x 6"	16'-0"
GIRDERS	24	2" x 12"	14'-0"	HAY LIFT RAFTER	2	2" x 6"	12'-0"
CORNER BOARDS	8	1" x 4"	12'-0"	DOOR TRIM	10	1" x 4"	16'-0"
TRACK PLANK	6	2" x 10"	14'-0"	WINDOW TRIM	12	1" x 4"	12'-0"
"	"	3	2" x 6"	" KEEPER	3	1" x 6"	12'-0"
MANGER	25	1" x 12"	12'-0"	BRIDGING	350	LIN. FT.	
"	"	11	2" x 4"	HEADERS	5	2" x 6"	12'-0"
"	"	1	2" x 2"	"	6	2" x 6"	14'-0"
SLATS	3	1" x 4"	8'-0"	"	3	2" x 6"	16'-0"
LOOKOUT TRIM	6	1" x 4"	14'-0"	NAILS, PAINT, HARDWARE, HAY HOCK, ETC.			

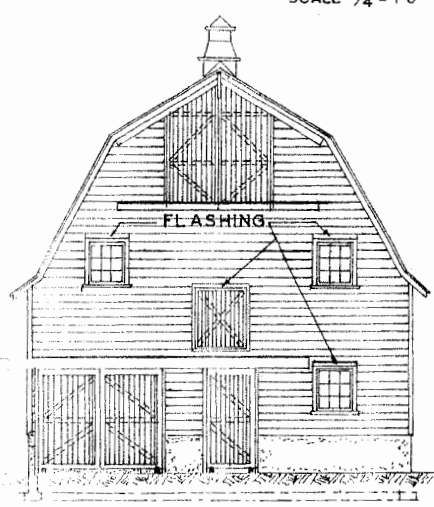


FLOOR PLAN
SCALE 1/4" = 1'-0"

NOTE:
FOR HORSES USE 6 L'TS 10" x 12" GI WINDOW SASH 8' 0" FROM FLOOR TO TOP OF SASH



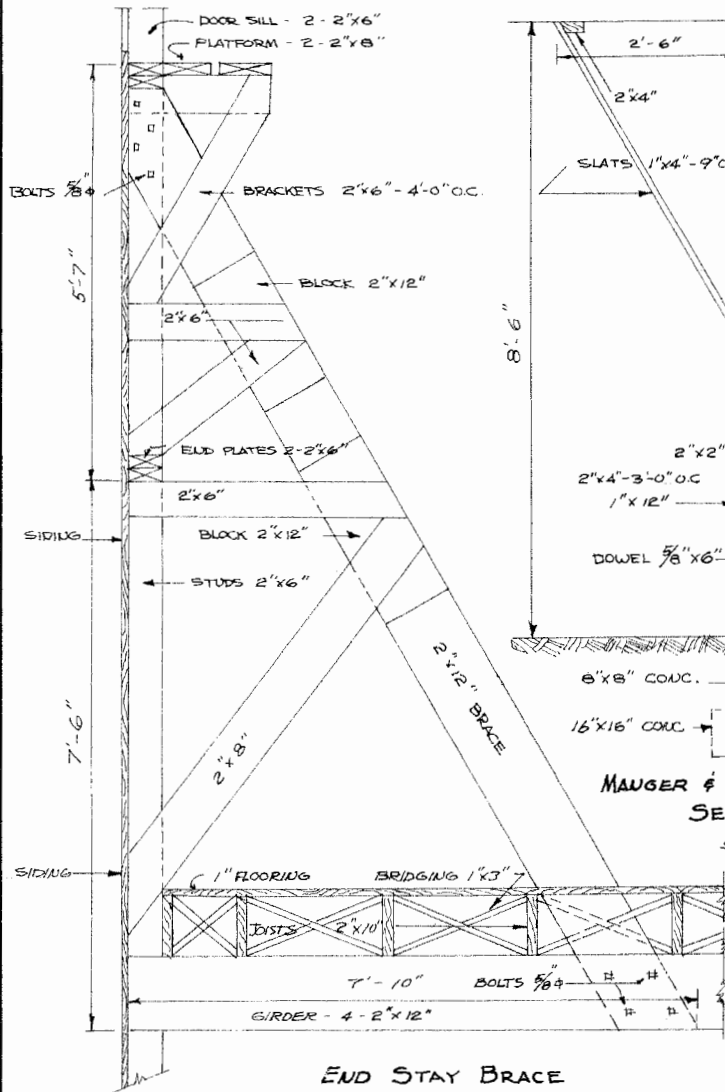
SIDE ELEVATION
SCALE 1/8" = 1'-0"



END ELEVATION

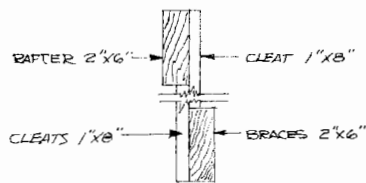
LSU
Ag Center
Research & Extension

GENERAL BARN	
ENGINEER VA	SCALE AS SHOWN
DRAWN BY	SHEET 1 OF 2
TRACED BY GM	DATE: April 63 NO. 44-7

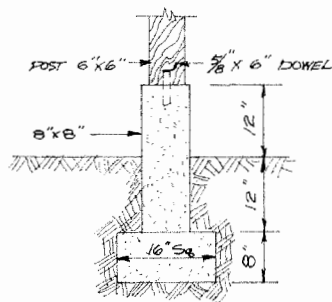


END STAY BRACE

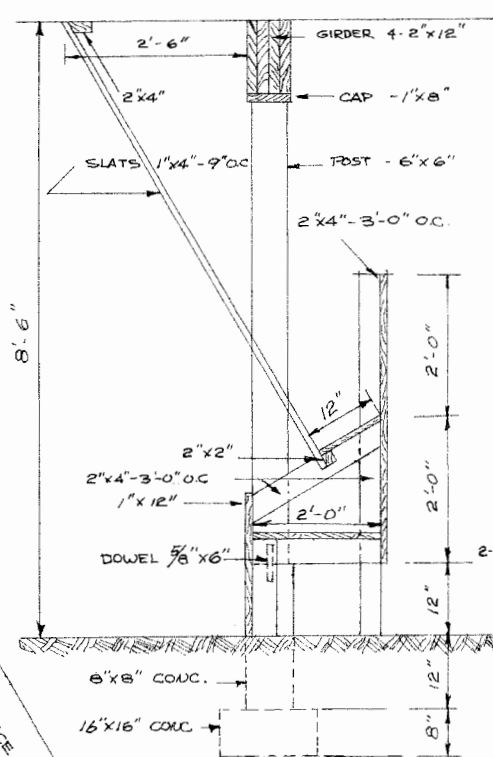
SCALE: 3/4" = 1'-0"



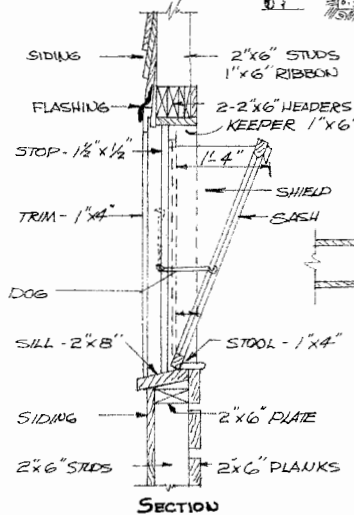
SECTION "B-B"
SCALE: 1/2" = 1'-0"



POST FOOTING DETAIL
SCALE: 3/4" = 1'-0"

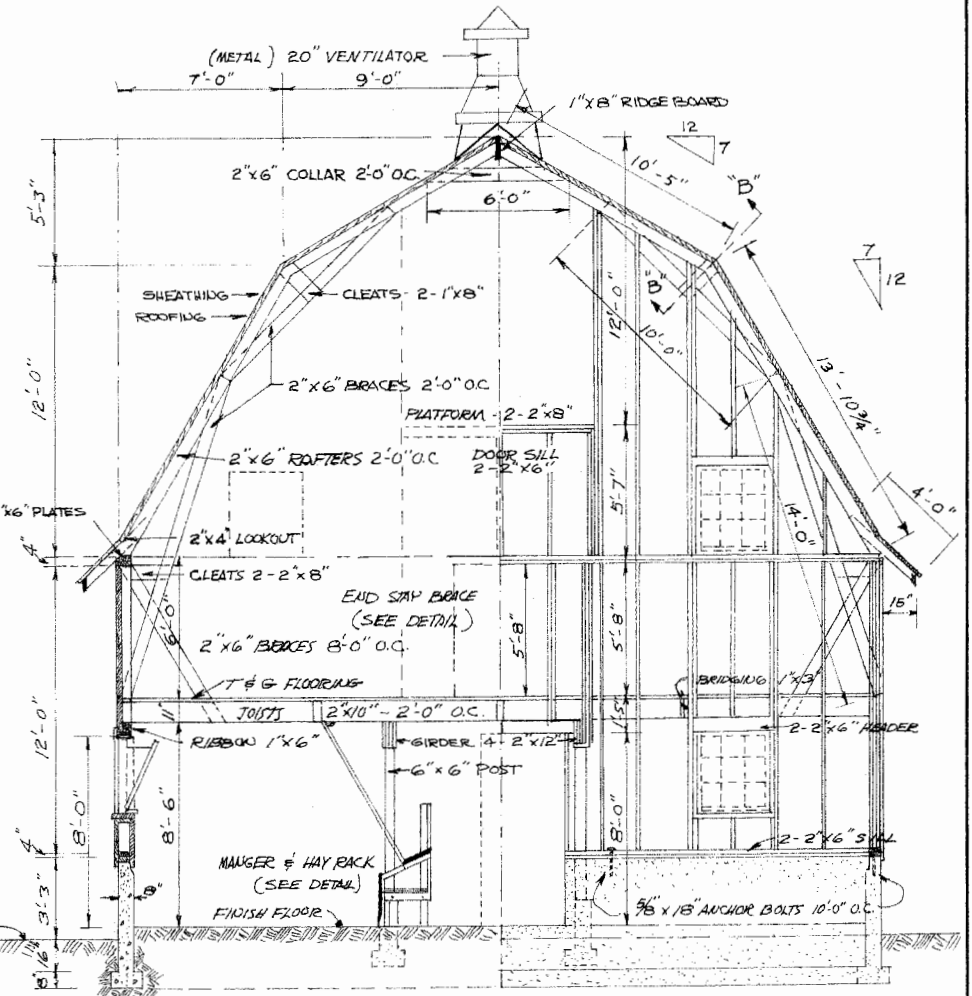


MAINGER & HAY RACK DETAILS
SECTION "A-A"
SCALE: 3/4" = 1'-0"



SECTION

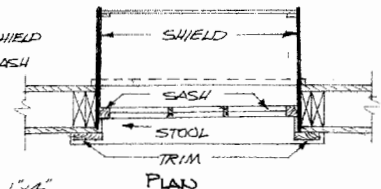
WINDOW DETAILS
SCALE: 3/4" = 1'-0"



1/2 SECTION "S-S"

1/2 END FRAMING

SCALE: 1/4" = 1'-0"



LSU AgCenter Research & Extension	
GENERAL BARN	
ENGINEER V.A.	SCALE: AS SHOWN
DRAWN BY	SHEET 2 OF 2
TRACED BY	DATE 28 FEB 64
	NO. 44-7

Disclaimer

This site makes available conceptual plans that can be helpful in developing building layouts and selecting equipment for various agricultural applications. These plans do not necessarily represent the most current technology or construction codes. They are not construction plans and do not replace the need for competent design assistance in developing safe, legal and well-functioning agricultural building system. The LSU Agriculture Center, the Mid-West Plan Service, the United States Department of Agriculture and none of the cooperating land-grant universities warranty these plans.