

ELEVATION

TABLE OF SIZES FOR TRUSS MEMBERS -

ROOF SLOPE	RISE	TOP CHORD	(A)	(B)	(C)	W1	W2	W3
4/12	6'-0"	20'	16" x 11"	16" x 10"	10" x 10"	2" x 4"	2" x 6"	2" x 4"

NOTE: Gussets A, B, and C are 3/8" thick plywood.

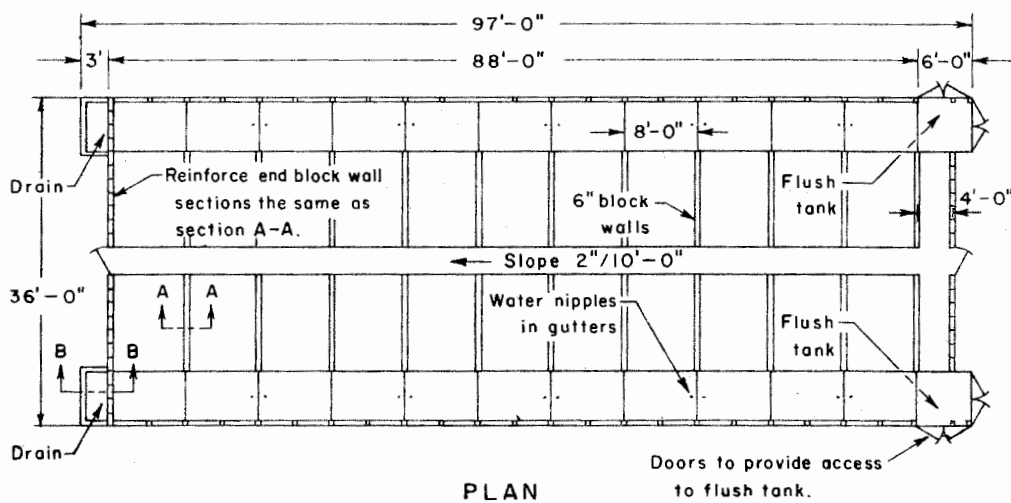
NOTE: CONSULT LOCAL HEALTH AND BUILDING CODE AUTHORITIES BEFORE STARTING CONSTRUCTION

Capacity 132 sows  
@ 6 sows per pen.

Winter ventilation note:

- locate fans on south or east side
  - fan 1 - 1500 cfm set thermostat at 35°
  - fan 2 - 1500 cfm set thermostat at 50°
  - fan 3 - 1500 cfm set thermostat at 60°
  - fan 4 - 1500 cfm set thermostat at 70°
- Open building for summer ventilation.

0 2 4 6 8  
12 1 3 5 7  
SCALE 3/32" = 1'-0"



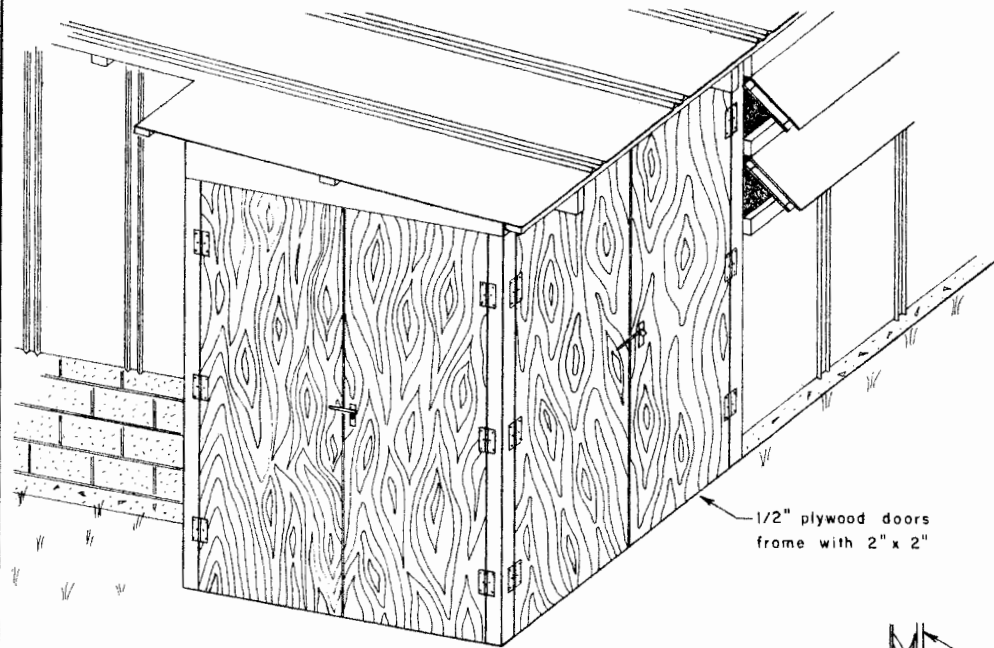
OPEN GUTTER FLUSH SYSTEM

BASED ON: UNIV. OF MD. PLAN 75-1-6

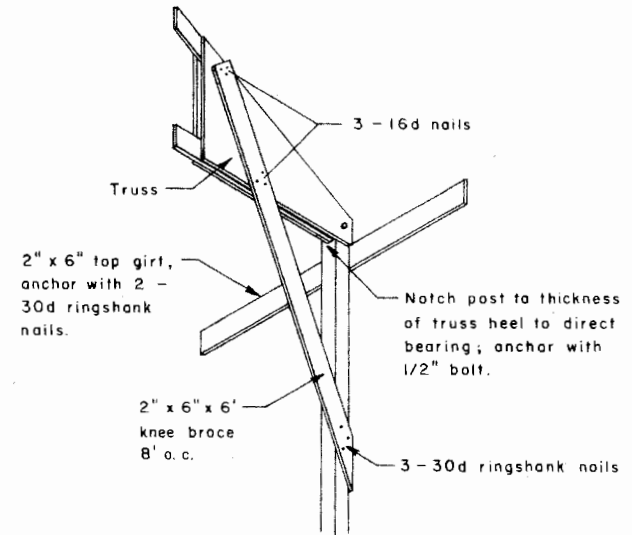


GESTATION HOUSE

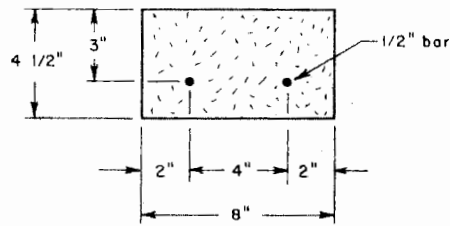
MD. '76 6240 SHEET 1 OF 2



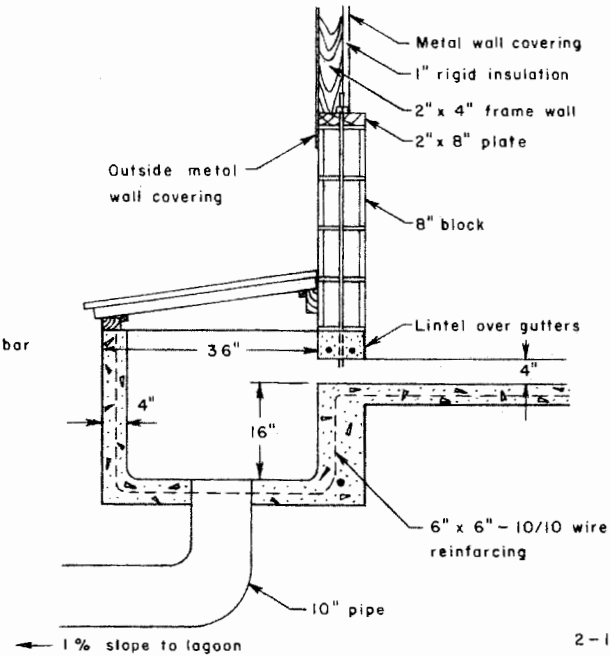
Flush annex walls can be of doors shown or other removable panels to allow access to tank.



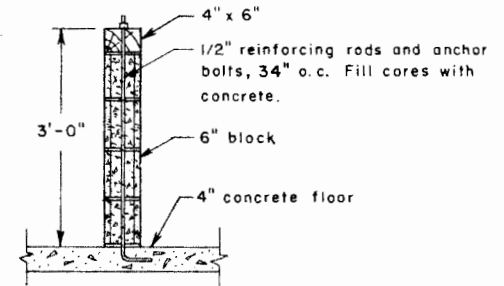
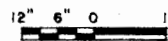
Knee detail



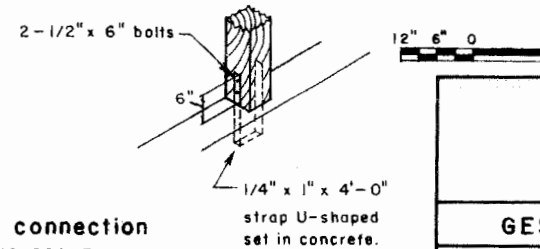
Precast lintel



Section BB



Section AA



Post connection  
NO SCALE



GESTATION HOUSE

MD. '76 6240 SHEET 2 OF 2

## Disclaimer

This site makes available conceptual plans that can be helpful in developing building layouts and selecting equipment for various agricultural applications. These plans do not necessarily represent the most current technology or construction codes. They are not construction plans and do not replace the need for competent design assistance in developing safe, legal and well-functioning agricultural building system. The LSU Agriculture Center, the Mid-West Plan Service, the United States Department of Agriculture and none of the cooperating land-grant universities warranty these plans.