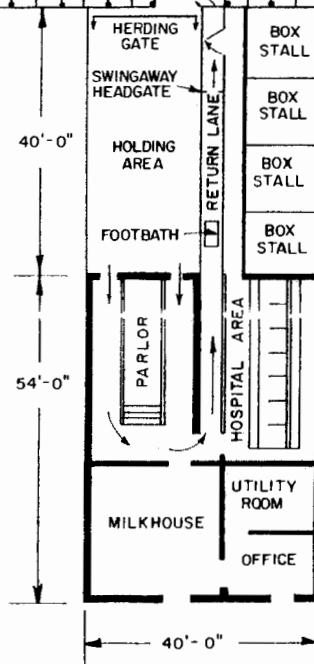


HERD SIZES AND BUILDING DIMENSIONS				
COMPLETE SYSTEM	NUMBER OF COWS		MAIN BARN	HOLDING AREA (16ft <sup>2</sup> PER COW)
	RIGHT OR* LEFT HALF	EACH SUB-HERD		
160	80	40	84' x 196'	640ft <sup>2</sup> (20' x 32')
200	100	50	84' x 236'	800ft <sup>2</sup> (20' x 40')
240	120	60	84' x 276'	960ft <sup>2</sup> (20' x 48')
280	140	70	84' x 316'	1120ft <sup>2</sup> (20' x 56')
320	160	80	84' x 356'	1280ft <sup>2</sup> (20' x 64')

\* BUILD EITHER THE RIGHT OR LEFT HALF OF THE FREE STALL BARN AND DIVIDE THE HERD INTO TWO GROUPS.



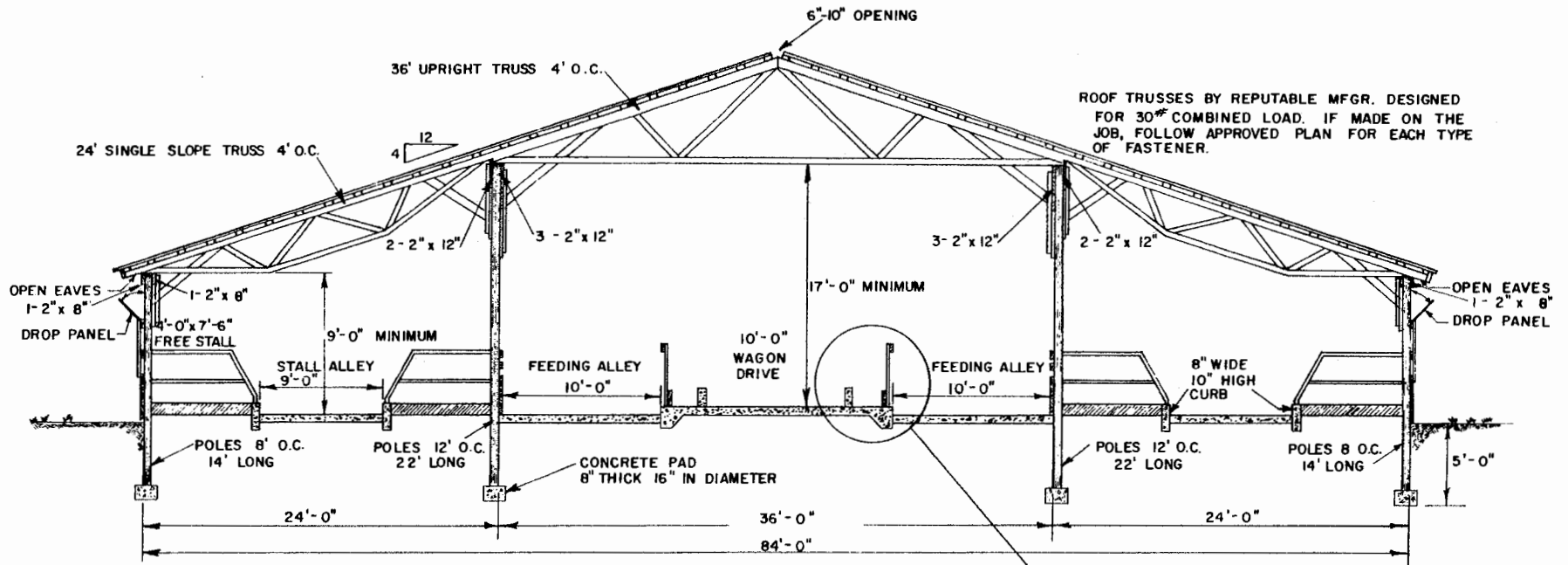
FLOOR PLAN

SCALE: 1/16" = 1' - 0"



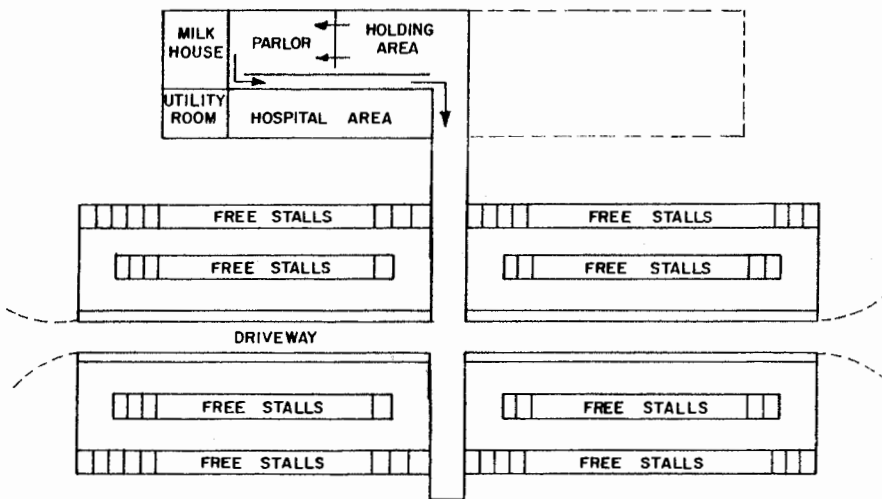
FREE STALL BARN  
DRIVE-THRU TYPE

PA. '71 6111 SHEET 1 OF 3

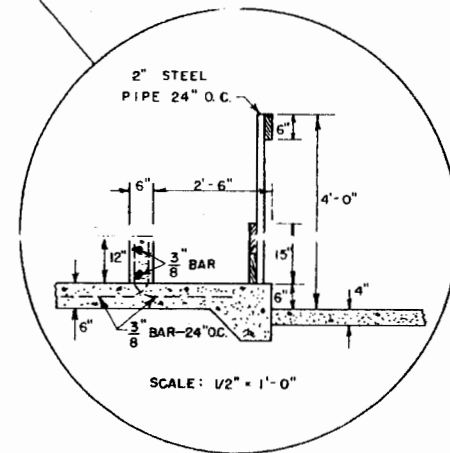


**CROSS SECTION**

MANY OTHER TYPES OF BUILDINGS CAN BE USED - METAL FRAME, LAMINATED RAFTERS, ETC.



ALTERNATE LOCATION FOR THE MILKING CENTER, HOLDING AREA AND HOSPITAL AREA.



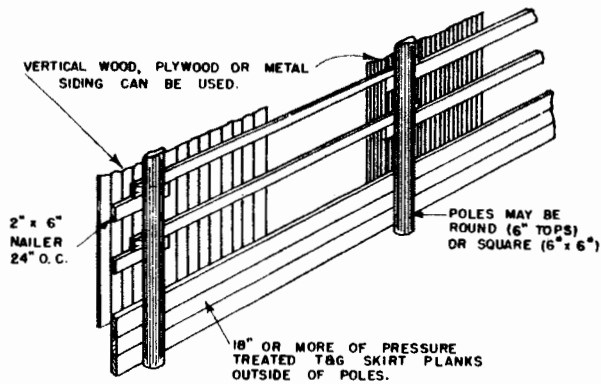
MANGER DETAIL



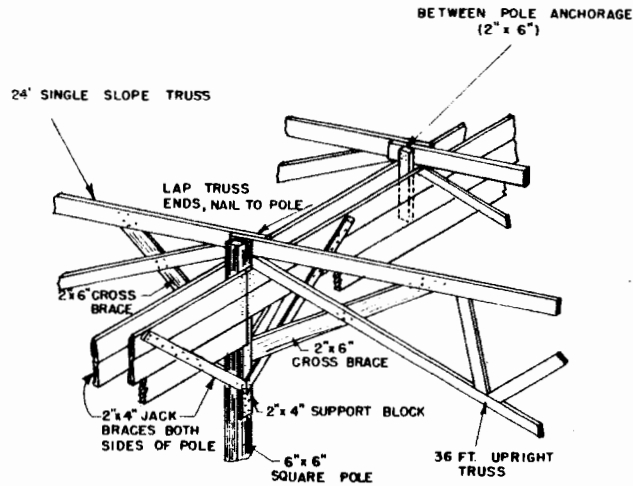
**FREE STALL BARN  
DRIVE-THRU TYPE**

### SIDE WALL DETAIL

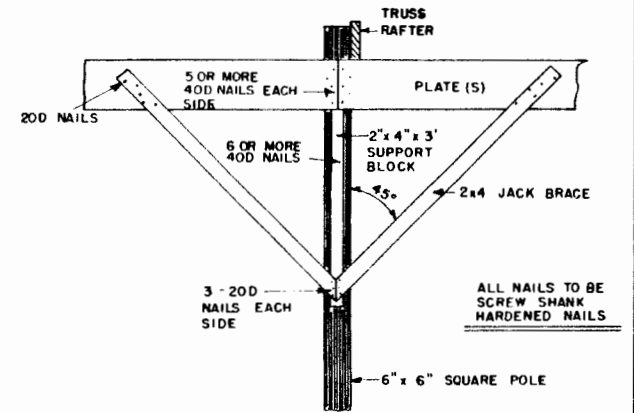
POLES MUST BE PRESSURE TREATED FOR 50 YEAR LIFE. UNTREATED OR COLD TREATED POLES WILL HAVE A SHORT LIFE. POLES MAY BE ROUND (6" TOPS) OR SQUARE (6" x 6").



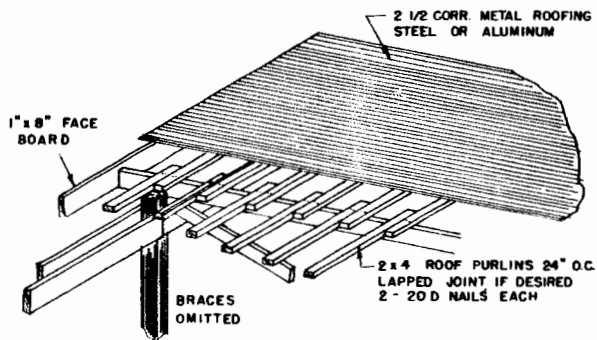
### INTERIOR POLE BRACING AND RAFTER DETAIL



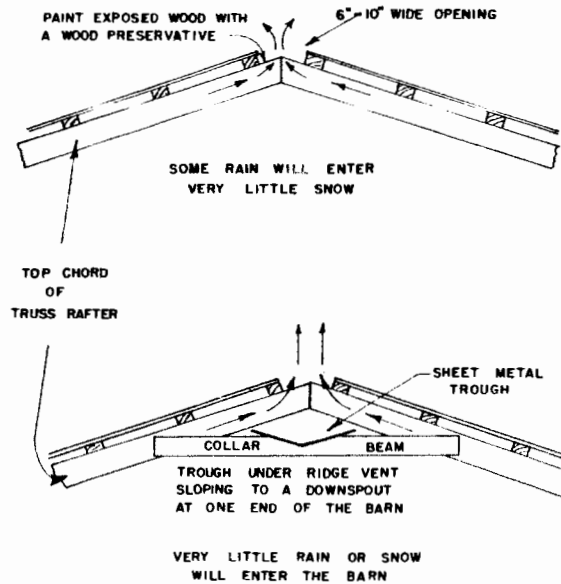
### SIDEWALL POLE BRACING AND NAILING DETAIL



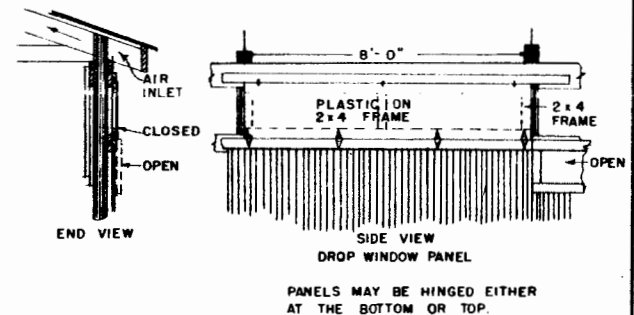
### ROOFING DETAIL WITH PURLINS AND METAL ROOFING



### OPEN RIDGE VENT DETAIL



### PANEL WINDOW DETAIL



FREE STALL BARN  
DRIVE-THRU TYPE

## Disclaimer

This site makes available conceptual plans that can be helpful in developing building layouts and selecting equipment for various agricultural applications. These plans do not necessarily represent the most current technology or construction codes. They are not construction plans and do not replace the need for competent design assistance in developing safe, legal and well-functioning agricultural building system. The LSU Agriculture Center, the Mid-West Plan Service, the United States Department of Agriculture and none of the cooperating land-grant universities warranty these plans.