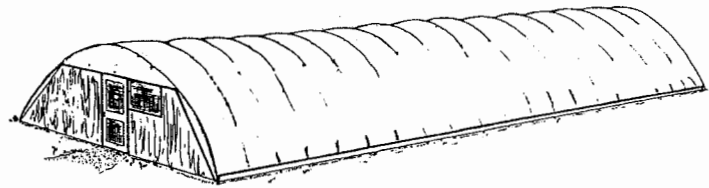
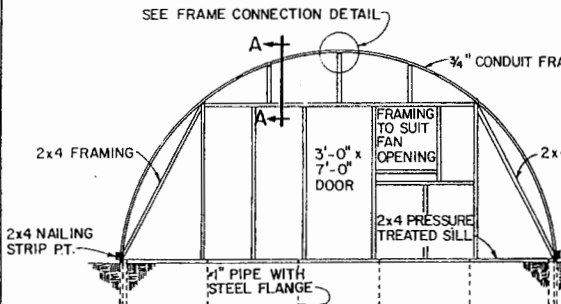


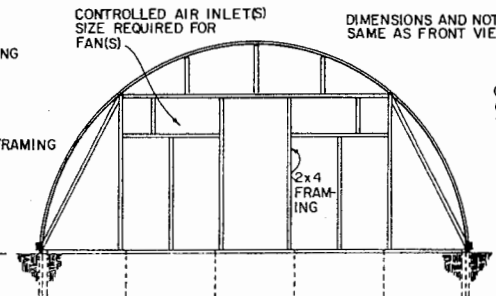
**SIDE VIEW**  
SCALE:  
12' 6" 1' 2' 3' 4'



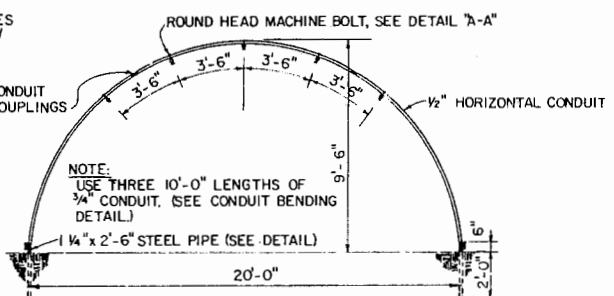
**PERSPECTIVE**  
NOT TO SCALE



**FRONT VIEW**

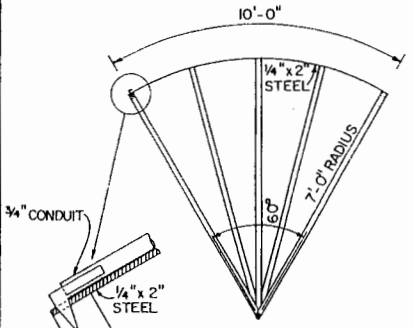


**REAR VIEW**

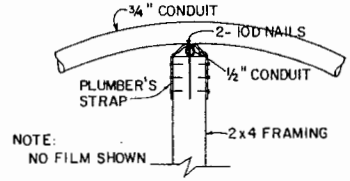


**TYPICAL CONDUIT FRAME**

SCALE:  
12' 6" 1' 2' 3' 4'

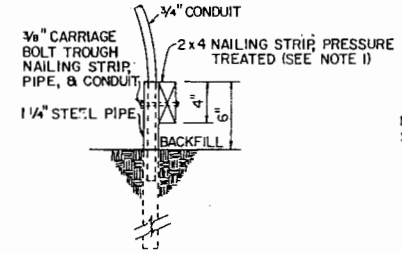


**CONDUIT BENDING FRAME**  
NOT TO SCALE



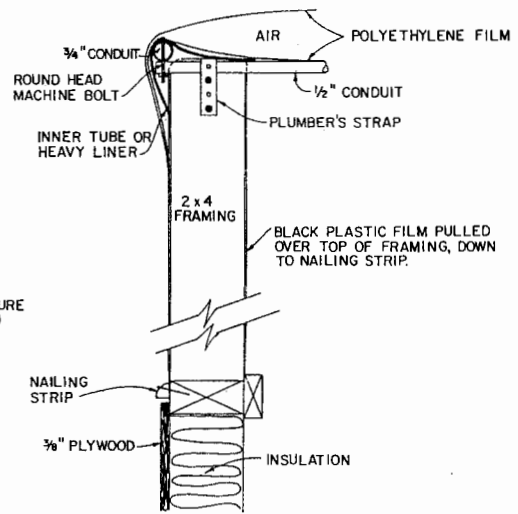
**FRAME CONNECTION DETAIL**

SCALE: 3" = 1'-0"



**PIPE DETAIL**

SCALE:  
12" 9" 6" 3" 0"



**DETAIL "A-A"**

- NOTES:
- 1) DO NOT USE CREOSOTE OR "PENTA" TREATED WOOD.
  - 2) CONSULT LOCAL HEALTH AND BUILDING CODE AUTHORITIES BEFORE STARTING CONSTRUCTION.
  - 3) ROLL JIGS OR OTHER ARRANGEMENTS FOR BENDING CONDUIT CAN BE USED.

<b>GREENHOUSE PIPE FRAME</b>		
-VA. '78	6312	SHEET 1 OF 1

## Disclaimer

This site makes available conceptual plans that can be helpful in developing building layouts and selecting equipment for various agricultural applications. These plans do not necessarily represent the most current technology or construction codes. They are not construction plans and do not replace the need for competent design assistance in developing safe, legal and well-functioning agricultural building system. The LSU Agriculture Center, the Mid-West Plan Service, the United States Department of Agriculture and none of the cooperating land-grant universities warranty these plans.