

PERSPECTIVE

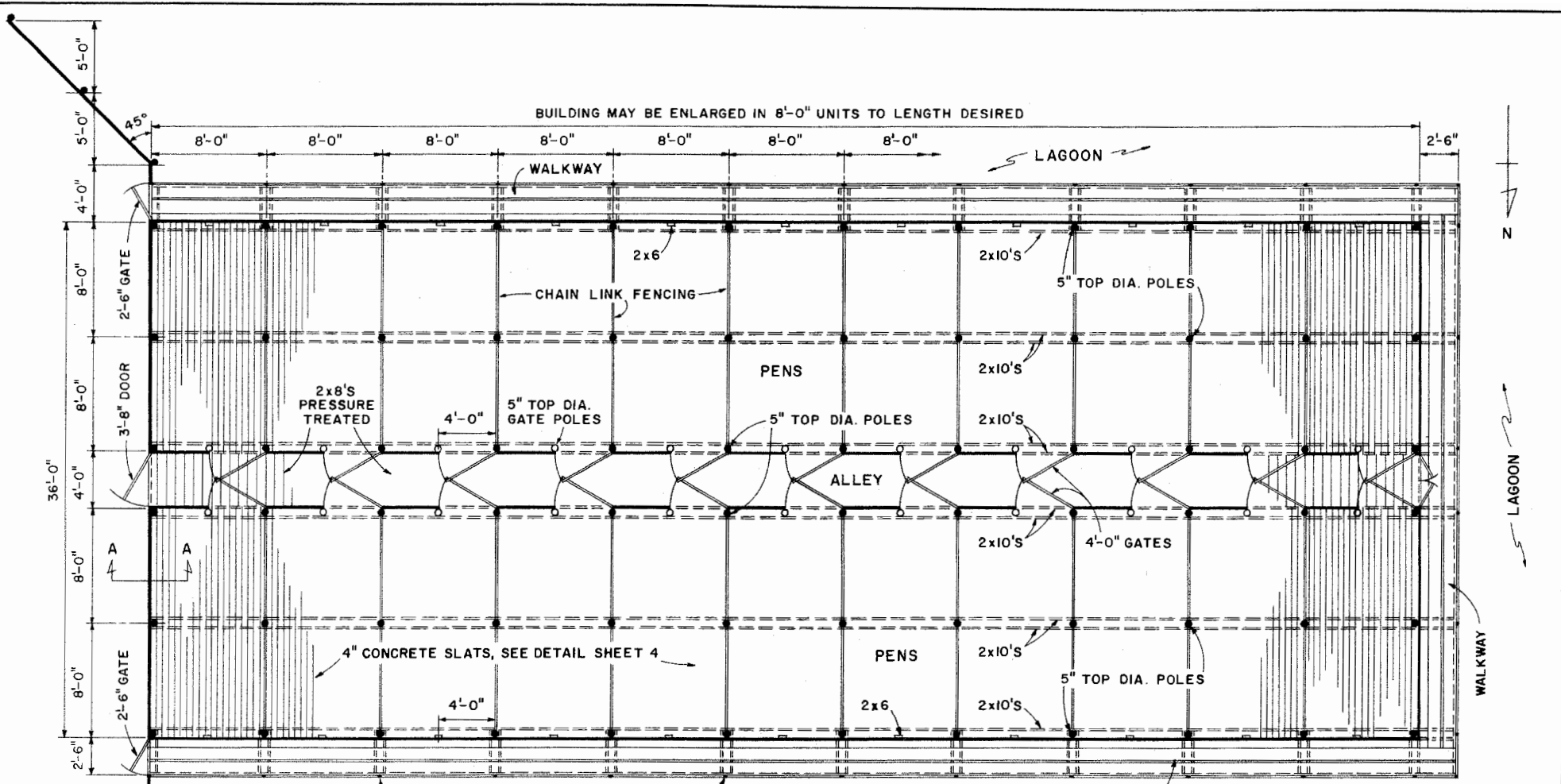
NOTE:
CONSULT LOCAL HEALTH AND BUILDING
CODE AUTHORITIES BEFORE STARTING
CONSTRUCTION.

BASED ON: AUBURN UNIV. PLAN NO. J-138



FINISHING PARLOR FOR HOGS
SLATTED FLOOR OVER LAGOON

ALA. '74	6178	SHEET 1 OF 5
----------	-------------	--------------



BUILDING MAY BE ENLARGED IN 8'-0" UNITS TO LENGTH DESIRED

FLOOR PLAN

SCALE: 3/16" = 1'-0"
 12" 0' 1' 2' 3' 4' 5' 6' 7' 8'

SECTION A-A

SCALE: 1/2" = 1'-0"
 12" 6" 0' 1' 2'

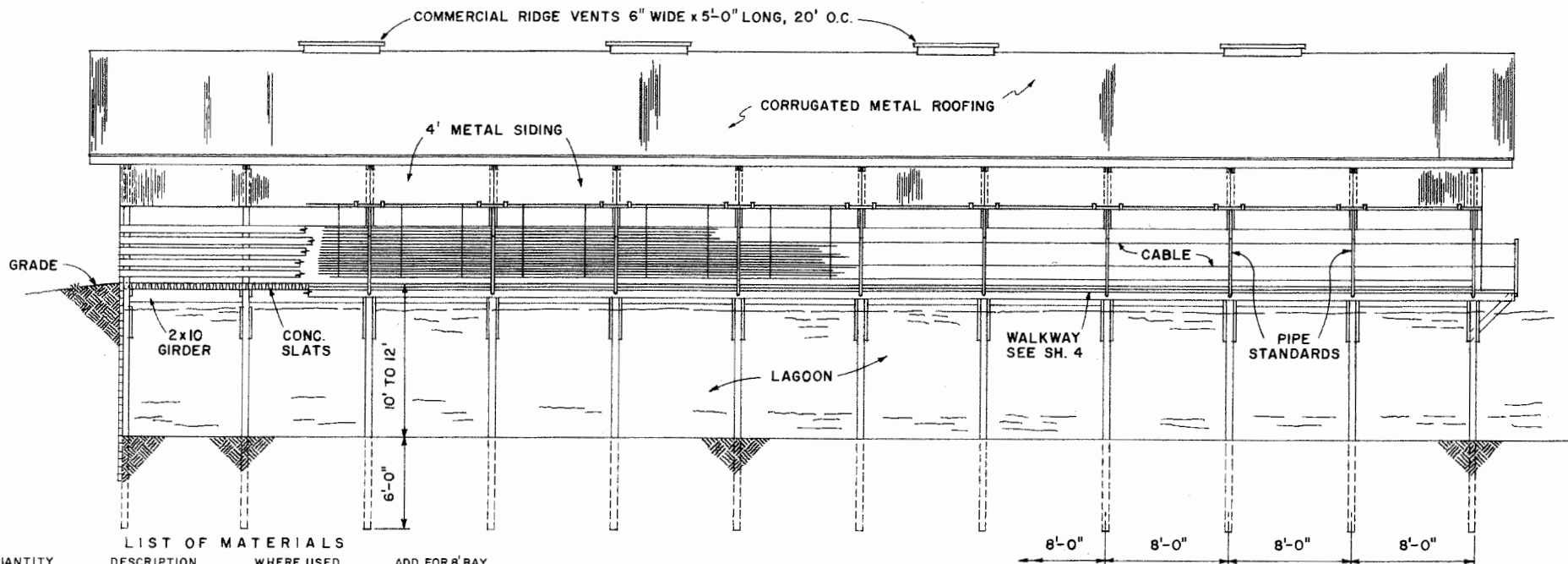
DETAIL "A"

SCALE: 3/4" = 1'-0"
 12" 6" 0' 1'

LSU
AgCenter
 Research & Extension

FINISHING PARLOR FOR HOGS
SLATTED FLOOR OVER LAGOON

ALA. '74	6178	SHEET 2 OF 5
----------	------	--------------

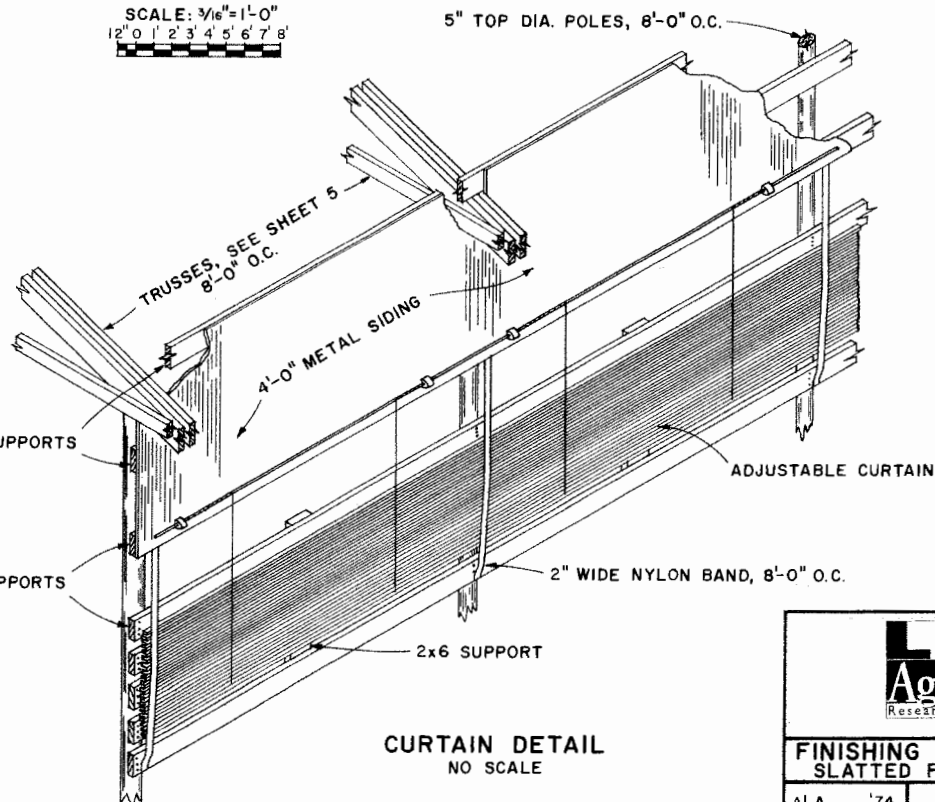


LIST OF MATERIALS

QUANTITY	DESCRIPTION	WHERE USED	ADD FOR 8' BAY
32 POLES	5" TOP Ø x 26' LG.	SIDE FRAMING	2 POLES
40 POLES	5" TOP Ø x 21' LG.	INTERIOR FRAM.	4 POLES
22 POLES	5" TOP Ø x 6' LG.	GATE POLES	2 POLES
836 CONC. SLATS	4" WIDE x 8' LG.	FLOOR	76
LUMBER (PRESSURE-TREATED)			
120 PCS.-180 BF	2x6x1'-6"	SUPPORT PLATE	10 PCS. 15 BF
50 PCS.-1333 BF	2x10x16'	GIRDERS	5 PCS. 133 BF
12 PCS.-320 BF	2x10x12'	GIRDERS	
24 PCS.-336 BF	2x6x14'	WALK SUPPORT	2 PCS. 28 BF
10 PCS.-160 BF	2x6x16'	WALK SUPPORT	1 PC. 16 BF
4 PCS.-48 BF	2x6x12'(END BAY)	WALK SUPPORT	
1 PC.-20 BF	2x6x20'(END BAY)	WALK SUPPORT	
19 PCS.-608 BF	2x12x16'	WALK	2 PCS. 64 BF
2 PCS.-72 BF	2x12x18'	WALK	
4 PCS.-160 BF	2x12x20'	WALK	
2 PCS.-48 BF	2x12x12'	WALK	
132 PCS.-704 BF	2x8x4'	ALLEYWAY	12 PCS. 64 BF
132 PCS.-2112 BF	2x6x16'	PEN SIDES, GATES, CURTAIN SUPPORTS	12 PCS. 192 BF
22 PCS.-88 BF	2x6x4'	PEN STIFFENERS	2 PCS. 8 BF
108 PCS.-1728 BF	2x6x16'	PURLINS	12 PCS. 192 BF
24 PCS.-480 BF	2x6x20'	PURLINS(ENDS)	12 PCS. 240 BF
26 PCS.-416 BF	2x6x16'	ENDS (FRAMING)	
NOTE: SEE SHEET 5 FOR TRUSS MATERIALS.			
3520 SQ. FT.	R-8 INSULATION	ROOF	320 SQ. FT.
3168 SQ. FT.	CORR. METAL	ROOF	352 SQ. FT.
880 SQ. FT.	CORR. METAL	ROOF(END BAYS)	440 SQ. FT.
704 SQ. FT.	CORR. METAL	SIDES	64 SQ. FT.
780 SQ. FT.	CORR. METAL	ENDS	390 SQ. FT. EA. END
176 FT.	5'DROP CURTAIN	SIDES	16 FT.
1080 SQ. FT.	CHAIN LINK FENCE	PEN PARTITIONS	108 SQ. FT.
160	1/2" Ø x 12" BOLTS	PEN PARTITIONS	16
4	6'x5' RIDGE VENTS	ROOF	
288	ANCHORS	PURLINS	24
44	STRAP HINGES	GATES	4
4	STRAP HINGES	GATES(END OF WALK)	
1	DOOR 3'-8"x7'	END OF BLDG.	
1	DOOR 1'-10"x7'(2)	END OF BLDG.	
454	1/2" STEEL CABLE	WALK	32 FT.
32 PCS.	2" I.D. STEEL PIPE 3'-8" LG.	WALK	2
32 PCS.	FLANGES FOR PIPE STANDARDS		2 PCS.

SIDE ELEVATION

SCALE: 3/16" = 1'-0"
12' 0" 1' 2' 3' 4' 5' 6' 7' 8'



CURTAIN DETAIL
NO SCALE

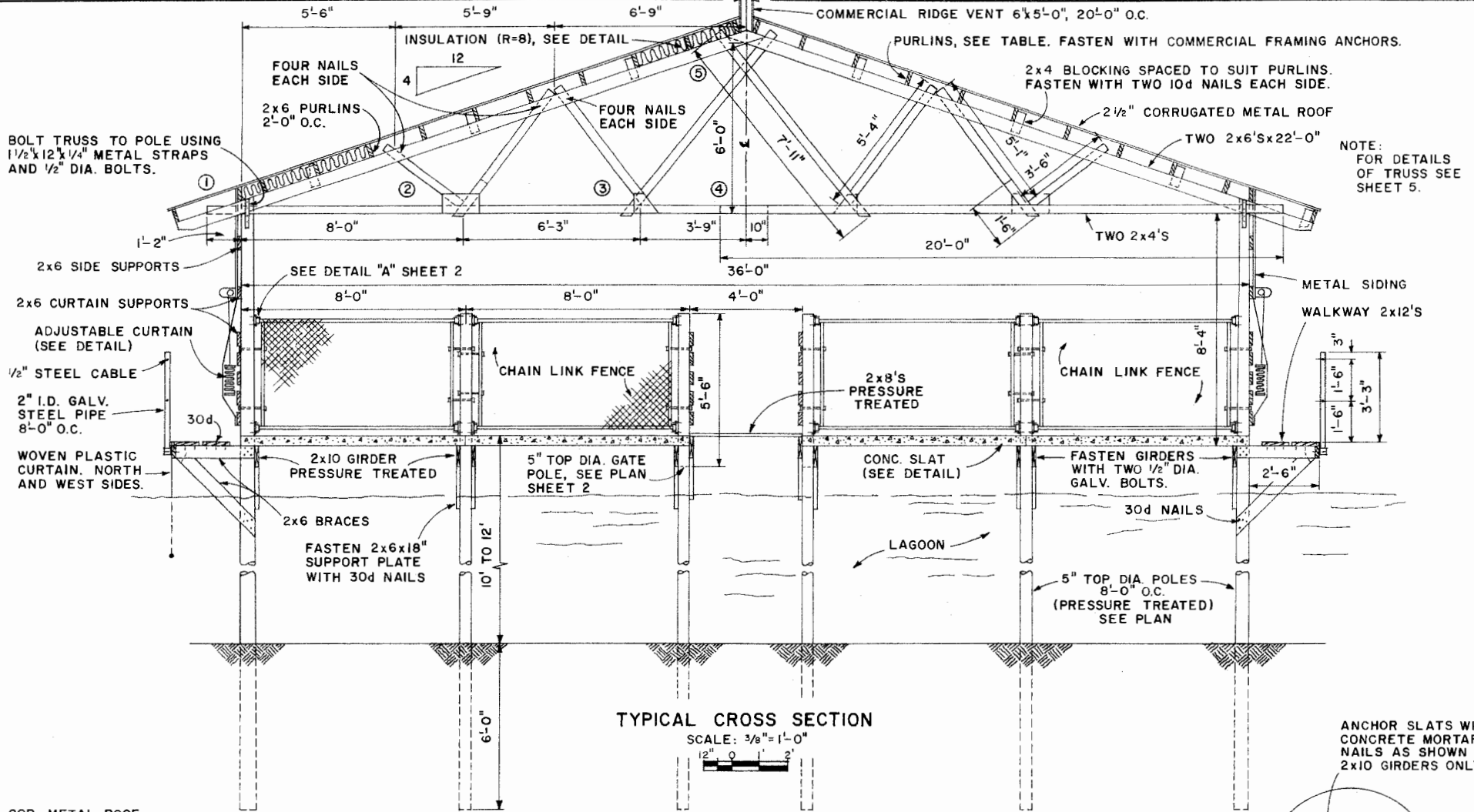


FINISHING PARLOR FOR HOGS
SLATTED FLOOR OVER LAGOON

ALA. '74 **6178** SHEET 3 OF 5

NAILS, SCREWS, ROOFING NAILS
NOTE: POLES & LUMBER: PRESSURE-TREATED WITH CREOSOTE OR 5% PENTA. SOLUTION TO A RETENTION OF 6-8 LBS./CU. FT. OF WOOD. THIS LIST OF MATERIALS DOES NOT INCLUDE RETAINING WALL NOR FENCE AROUND LAGOON.

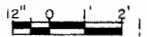
BOLT TRUSS TO POLE USING
1 1/2" x 12" x 1/4" METAL STRAPS
AND 1/2" DIA. BOLTS.



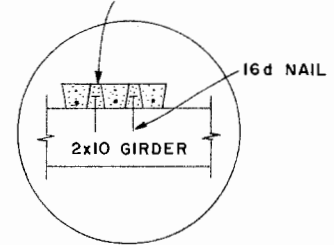
NOTE:
FOR DETAILS
OF TRUSS SEE
SHEET 5.

TYPICAL CROSS SECTION

SCALE: 3/8" = 1'-0"

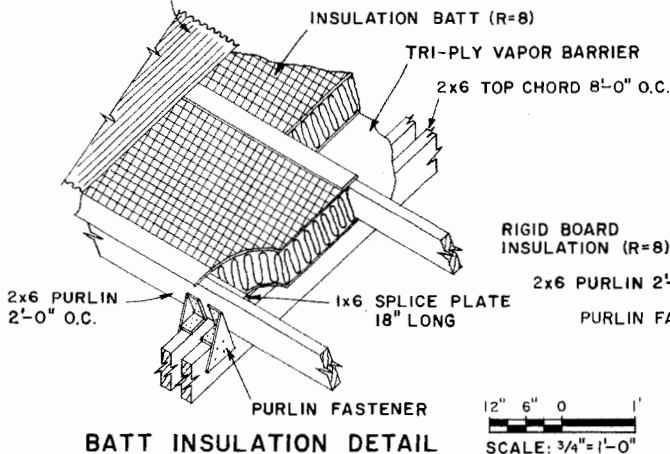


ANCHOR SLATS WITH
CONCRETE MORTAR &
NAILS AS SHOWN AT
2x10 GIRDERS ONLY.



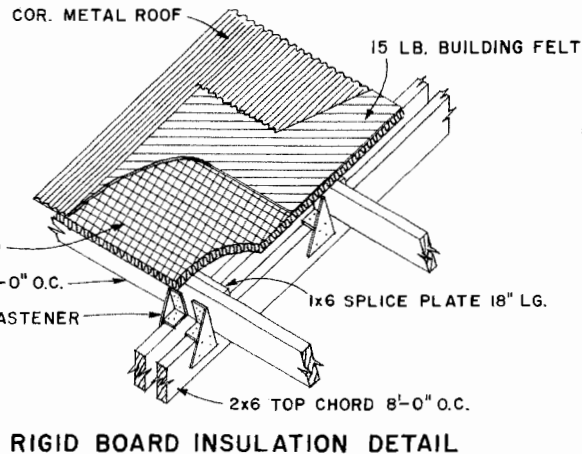
SLAT ANCHORAGE DETAIL

COR. METAL ROOF

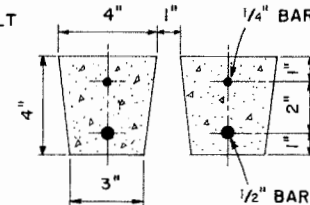


BATT INSULATION DETAIL

SCALE: 3/4" = 1'-0"



RIGID BOARD INSULATION DETAIL



SLAT LENGTH 8'-0"

SLAT DETAIL

SCALE: 3" = 1'-0"

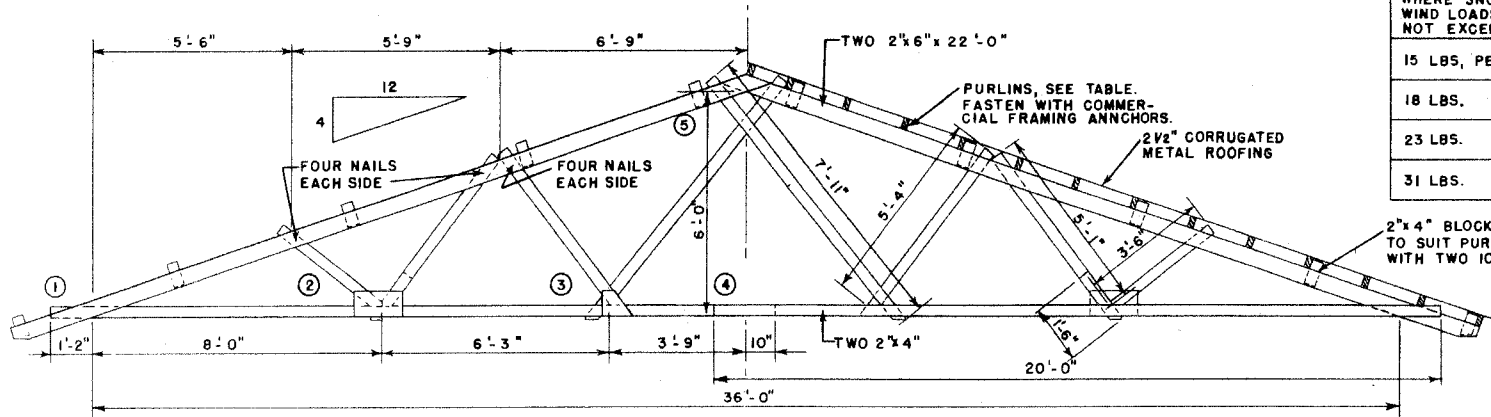
6" 5" 4" 3" 2" 1" 0



LSU
AgCenter
Research & Extension

FINISHING PARLOR FOR HOGS
SLATTED FLOOR OVER LAGOON

ALA. '74 **6178** SHEET 4 OF 5



WHERE SNOW OR WIND LOADS WILL NOT EXCEED----	TRUSSES MAY BE SPACED UP TO----	PURLINS MAY BE SPACED UP TO----
15 LBS. PER SQ. FT.	12'-0" O. C.	2" x 4" 1'-6" O. C. 2" x 6" 3'-6" *
18 LBS.	10'-0"	2" x 4" 1'-8" 2" x 6" 3'-6"
23 LBS.	8'-0"	2" x 4" 2'-0" 2" x 6" 3'-6"
31 LBS.	6'-0"	2" x 4" 2'-8"

2" x 4" BLOCKING, SPACED TO SUIT PURLINS. FASTEN WITH TWO 10d, EACH SIDE.

* MAX. SPACING FOR CORRUGATED METAL

THIS TRUSS IS DESIGNED TO SUPPORT LOADS UP TO 200 LBS PER FOOT OF SPAN, INCLUDING THE WEIGHT OF THE ROOF.

ALL LUMBER SHALL BE STRESS GRADED TO PROVIDE 1500 PSI FIBER STRESS IN BENDING, AND 1350 PSI IN COMPRESSION.

MATERIALS FOR ONE TRUSS:

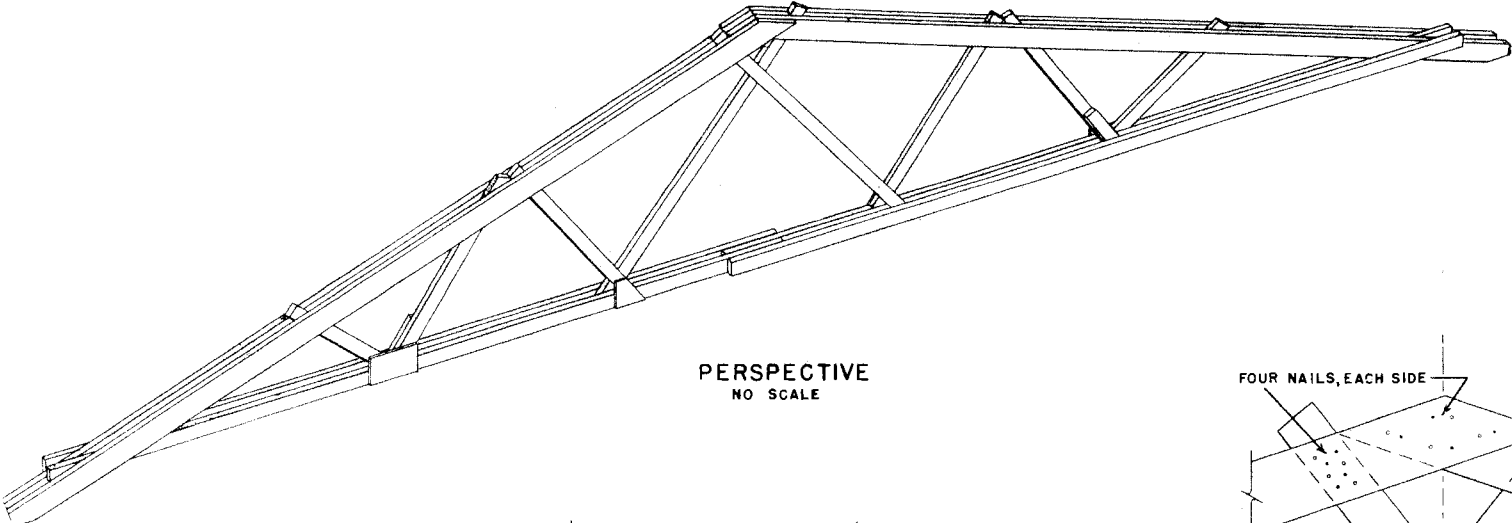
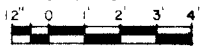
TOP CHORD.....4 PCS..2" x 6" x 22'-0"
 BOTTOM CHORD.....4.....2" x 4" x 20'-0"
 WEB MEMBERS
 & BLOCKING.....3.....2" x 4" x 14'-0"
 1.....2" x 4" x 16'-0"

ONE 48" x 96" PLYWOOD PANEL WILL PROVIDE GUSSETS FOR 12 TRUSSES

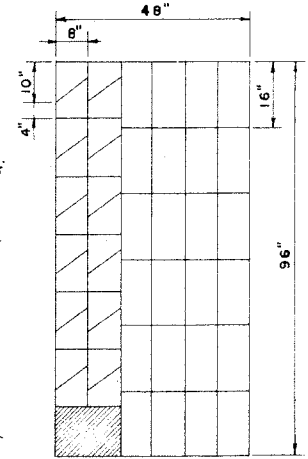
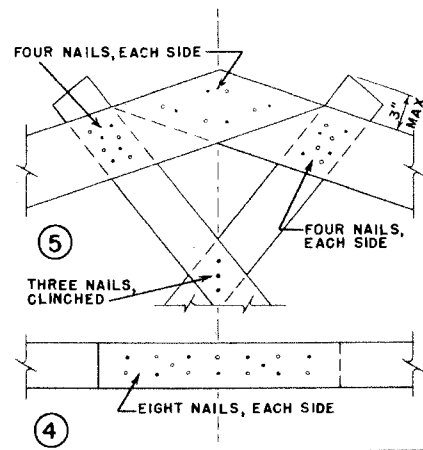
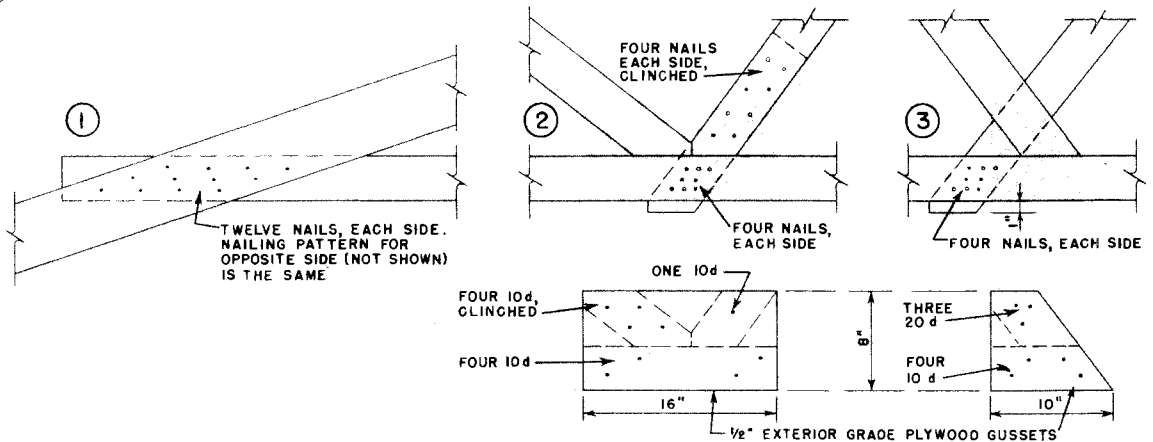
NAILS.....6 1/4 LBS 20d COMMON 10d

TRUSSES SHOULD BE SECURELY ANCHORED TO THE SUPPORTING STRUCTURE.

ELEVATION
SCALE: 3/8" = 1'-0"



PERSPECTIVE
NO SCALE

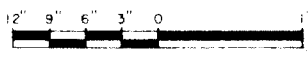


CUTTING DIAGRAM FOR GUSSETS

ALL NAILS TO BE 20d COMMON, EXCEPT AS NOTED.

* = NAILS DRIVEN FROM THE NEAR SIDE OF THE TRUSS, AND
 o = NAILS DRIVEN FROM FAR SIDE FOR LEFT END OF TRUSS, AS DETAILED. NOTE THAT NAILING PATTERNS ARE REVERSED FOR RIGHT END OF TRUSS.

ALL PROJECTING NAILS TO BE CLINCHED.



JOINT DETAILS
SCALE: 1/8" = 1'-0"

LSU
AgCenter
 Research & Extension

FINISHING PARLOR FOR HOGS
 SLATTED FLOOR OVER LAAGOON

ALA.	'74	6178	SHEET 5 OF 5
------	-----	------	--------------

Disclaimer

This site makes available conceptual plans that can be helpful in developing building layouts and selecting equipment for various agricultural applications. These plans do not necessarily represent the most current technology or construction codes. They are not construction plans and do not replace the need for competent design assistance in developing safe, legal and well-functioning agricultural building system. The LSU Agriculture Center, the Mid-West Plan Service, the United States Department of Agriculture and none of the cooperating land-grant universities warranty these plans.