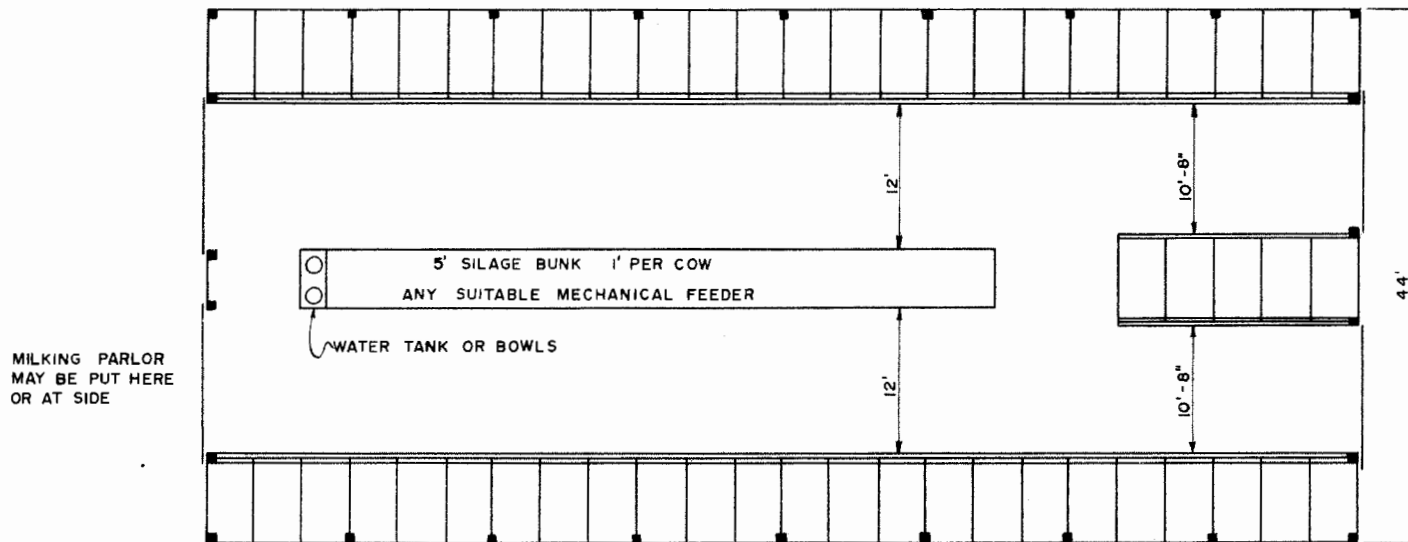


48' BARN FOR FOUR ROWS OF FREE STALLS
CENTER FEEDER IF DESIRED

GENERAL NOTES

1. USE TRUSSES BY REPUTABLE MFGR. DESIGNED FOR 30 LBS. PER SQ. FT. TOTAL LOAD.
2. CONSULT ON ALL DETAILS WITH DAIRY INSPECTION AUTHORITIES BEFORE CONSTRUCTION.



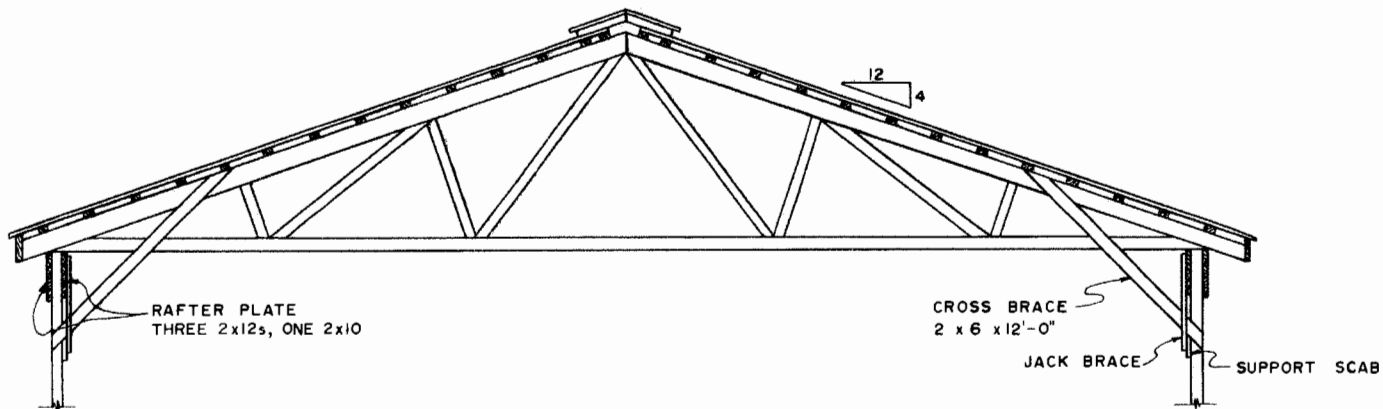
44' BARN FOR TWO ROWS FREE STALLS, CENTER FEEDER

MAY USE POLE BUILDING, LAMINATED RAFTERS
OR PRE-FAB METAL BUILDING

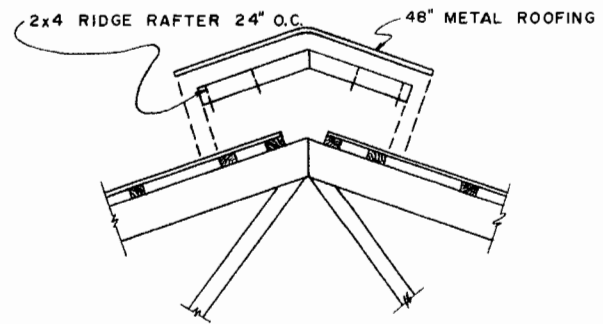
PENN. STATE UNIV. PLAN 723-340



FREE STALL BARN
40 FEET AND 48 FEET WIDE
PA. '67 EX. 6042 SHEET 1 OF 2

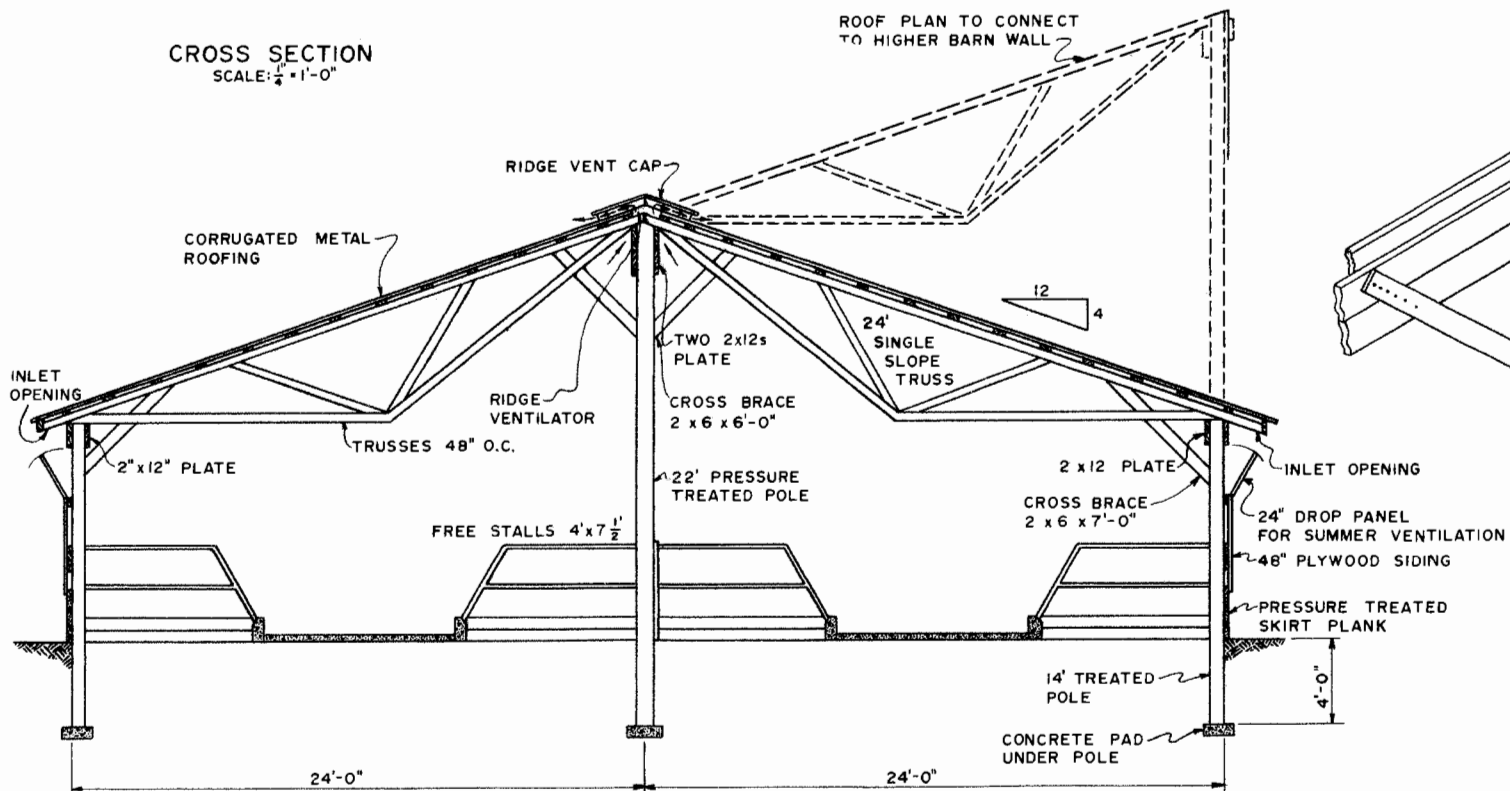


ALTERNATE ROOF PLAN
SCALE: $\frac{1}{4}$ " = 1'-0"

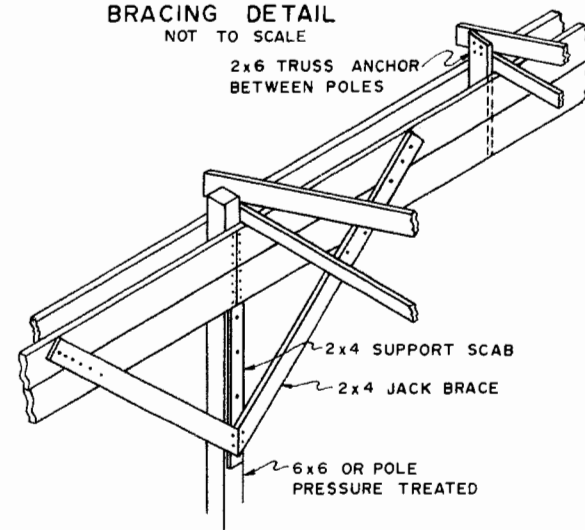


RIDGE VENT CAP
DETAIL
NOT TO SCALE

CROSS SECTION
SCALE: $\frac{1}{4}$ " = 1'-0"



BRACING DETAIL
NOT TO SCALE



Disclaimer

This site makes available conceptual plans that can be helpful in developing building layouts and selecting equipment for various agricultural applications. These plans do not necessarily represent the most current technology or construction codes. They are not construction plans and do not replace the need for competent design assistance in developing safe, legal and well-functioning agricultural building system. The LSU Agriculture Center, the Mid-West Plan Service, the United States Department of Agriculture and none of the cooperating land-grant universities warranty these plans.