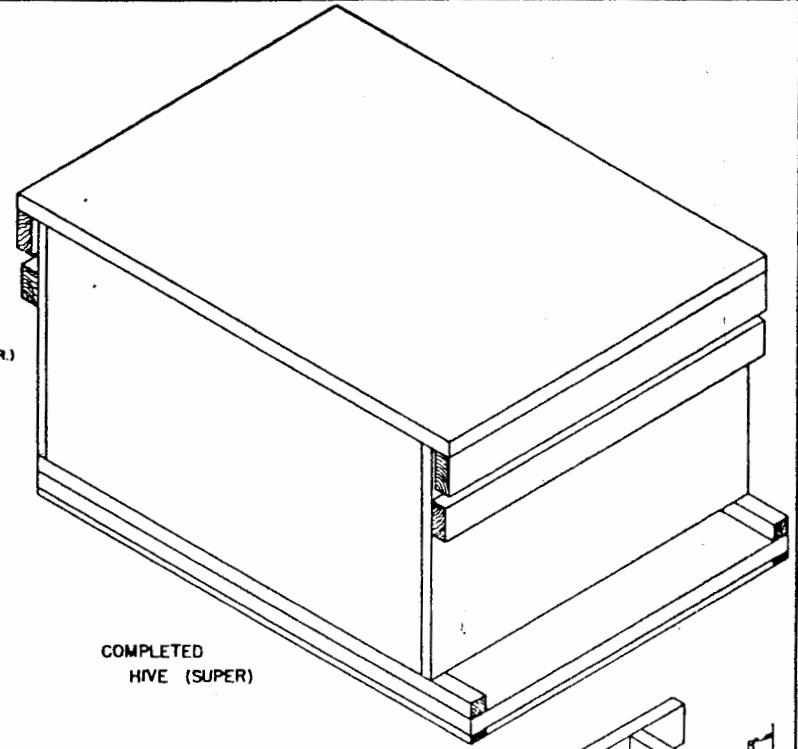
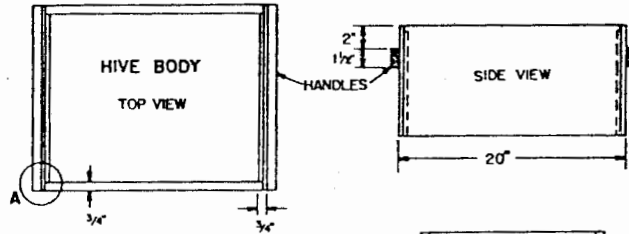


COVER 16 1/4" X 22"	BOTTOM 16 1/4" X 22"	BOTTOM 16 1/4" X 22"	COVER 16 1/4" X 22"
HANDLES 1 1/2" X 16 1/4"		HANDLES 1 1/2" X 16 1/4"	
SIDE 9 3/4" X 19 1/4"	END 9 3/4" X 16 1/4"	END 9 3/4" X 16 1/4"	SIDE 9 3/4" X 19 1/4"
SIDE 9 3/4" X 19 1/4"	END 9 3/4" X 16 1/4"	END 9 3/4" X 16 1/4"	SIDE 9 3/4" X 19 1/4"

CUTTING PLAN FOR PLYWOOD PARTS SHOWING ACTUAL DIMENSIONS ALLOW FOR SAW KERFS ON SAWN EDGES. (ONE HIVE BODY FROM 4' X 4' PLYWOOD, FULL SUPER.)



COMPLETED HIVE (SUPER)



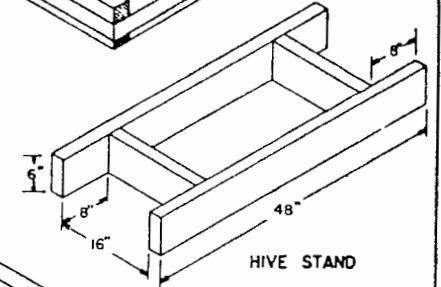
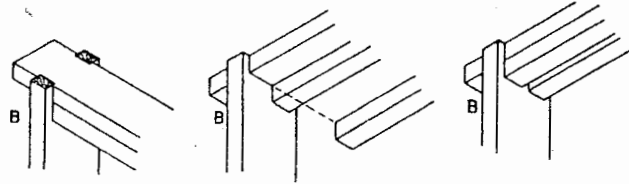
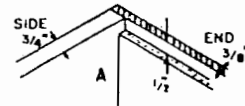
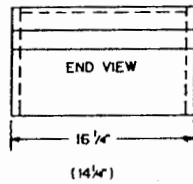
ALTERNATE DIMENSIONS FOR AN B-FRAME UNIT ARE IN BRACKETS.

MATERIALS LIST

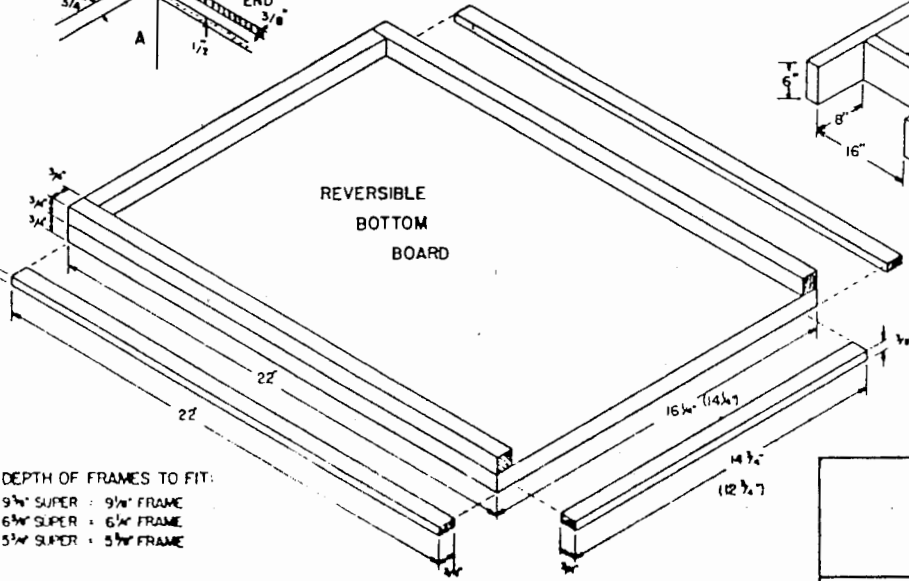
- 10'-10"-2" X 6" PINE OR FIR
- 4' X 4' X 3/4" A-A EXTERIOR PLYWOOD
- 1 1/2" X 3/4" X 33" PINE OR FIR
- 1" X 3/4" X 20" PINE OR FIR
- 3/4" X 3/4" X 60" PINE OR FIR
- 1 3/8" X 3/8" X 19" PINE OR FIR
- 3/4" X 3/4" X 80" PINE OR FIR
- 1 LB. 64 BOX NAILS

DEPTHS FOR HIVES

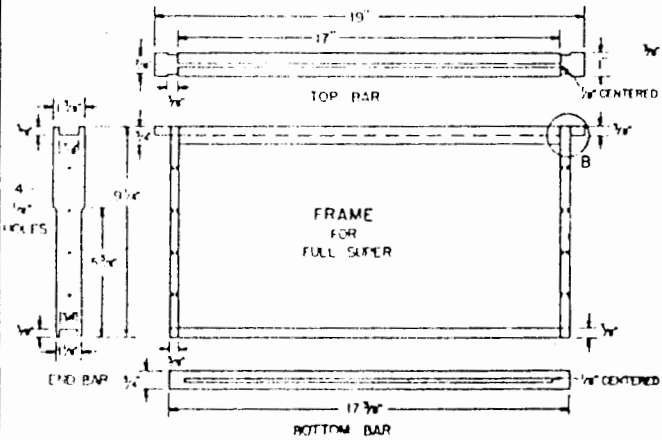
- FULL SUPER = 9 3/4"
- THREE-QUARTER SUPER = 6 3/4"
- SHALLOW SUPER = 5 3/4"



HIVE STAND



REVERSIBLE BOTTOM BOARD



FRAME FOR FULL SUPER

DEPTH OF FRAMES TO FIT:

- 9 3/4" SUPER : 9 3/4" FRAME
- 6 3/4" SUPER : 6 3/4" FRAME
- 5 3/4" SUPER : 5 3/4" FRAME

NO SCALE



BEEHIVE AND FRAME

OR. '75 6231 SHEET 1 OF 1

BASED ON: OREGON STATE UNIV PLAN NO BP 116

## Disclaimer

This site makes available conceptual plans that can be helpful in developing building layouts and selecting equipment for various agricultural applications. These plans do not necessarily represent the most current technology or construction codes. They are not construction plans and do not replace the need for competent design assistance in developing safe, legal and well-functioning agricultural building system. The LSU Agriculture Center, the Mid-West Plan Service, the United States Department of Agriculture and none of the cooperating land-grant universities warranty these plans.