

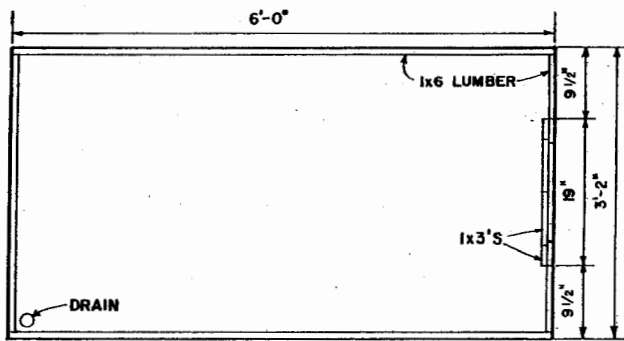
**NOTES:**

- ① LAMP UNIT WITH TIME CLOCK (SEE SHEET 3)
- ② POT HOLDER FRAME (SEE SHEET 2)
- ③ TRAY (SEE SHEET 2)
- ④ WATERING SYSTEM WITH TIME CLOCK (SEE SHEET 2)



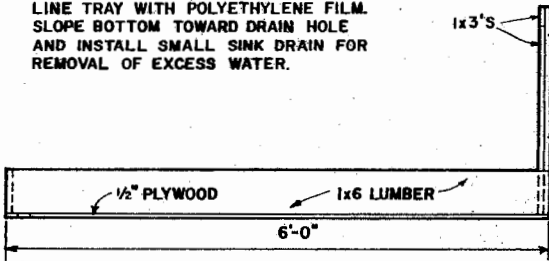
PROPAGATION UNIT FOR PLANTS

USDA '70 6101 SHEET 1 OF 3



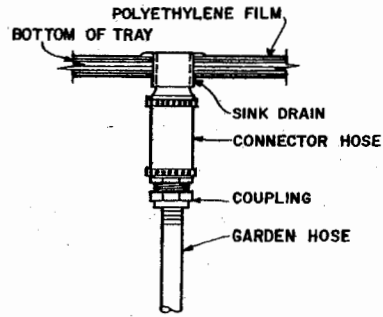
PLAN

**NOTE:**  
LINE TRAY WITH POLYETHYLENE FILM.  
SLOPE BOTTOM TOWARD DRAIN HOLE  
AND INSTALL SMALL SINK DRAIN FOR  
REMOVAL OF EXCESS WATER.

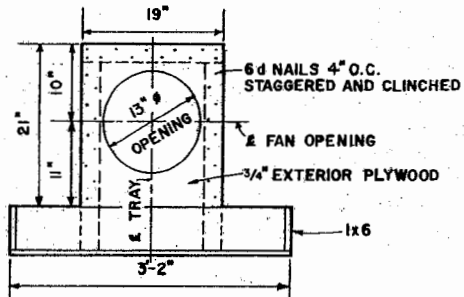


SIDE ELEVATION

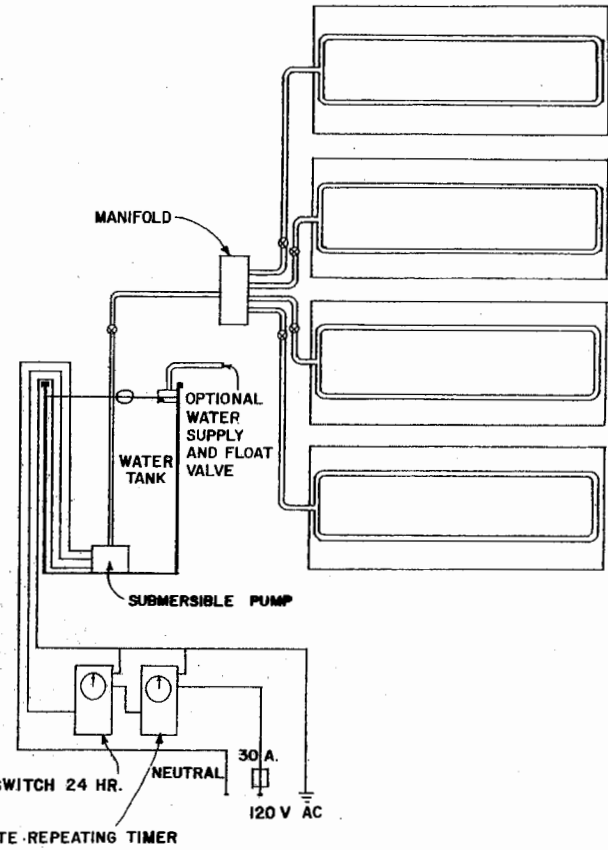
DETAILS OF TRAY  
SCALE: 1"=1'-0"



DETAIL OF DRAIN  
NO SCALE



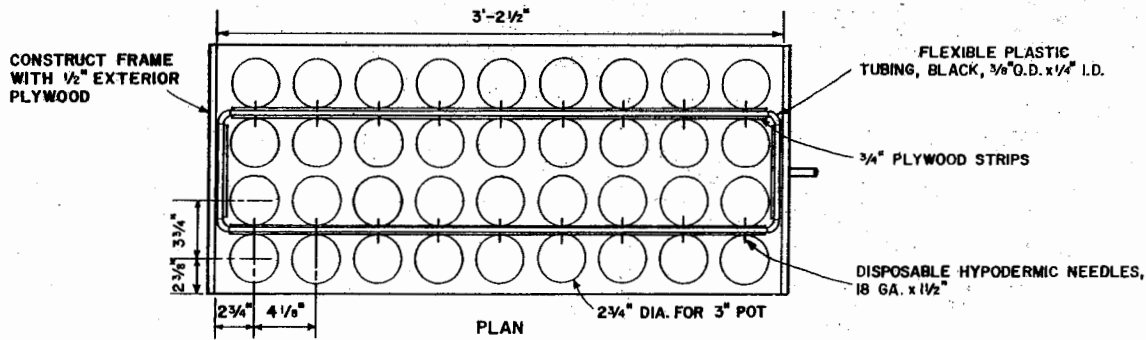
END ELEVATION



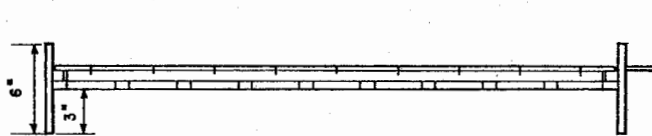
WATERING SYSTEM  
WITH TIME CLOCKS  
NO SCALE

**NOTE:**

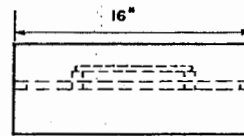
IF THIS UNIT IS INSTALLED IN A POORLY  
VENTILATED OR CLOSED ROOM IT WILL BE  
NECESSARY TO AIR CONDITION AS FOLLOWS,  
4 FT. LAMP UNITS - 3/4 TON AIR CONDITIONER  
6 AND 8 FT. LAMP UNITS - 1 TON AIR CONDITIONER



PLAN



SIDE ELEVATION



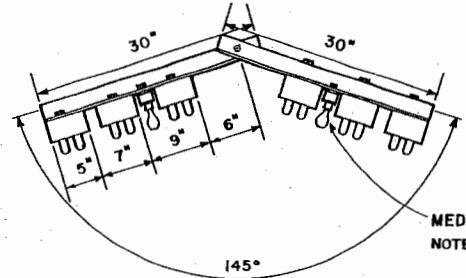
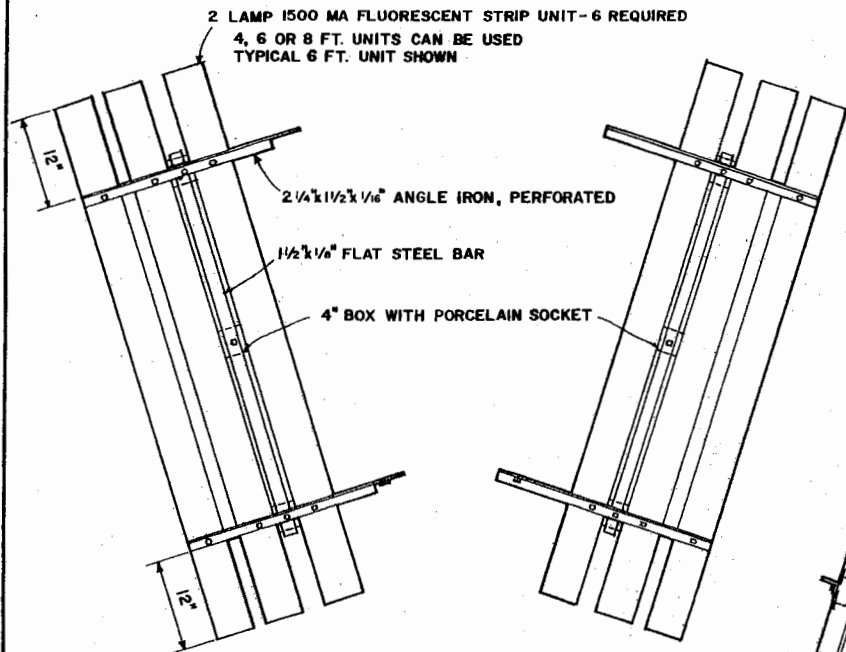
END ELEVATION

DETAILS OF POT HOLDER FRAME  
NO SCALE



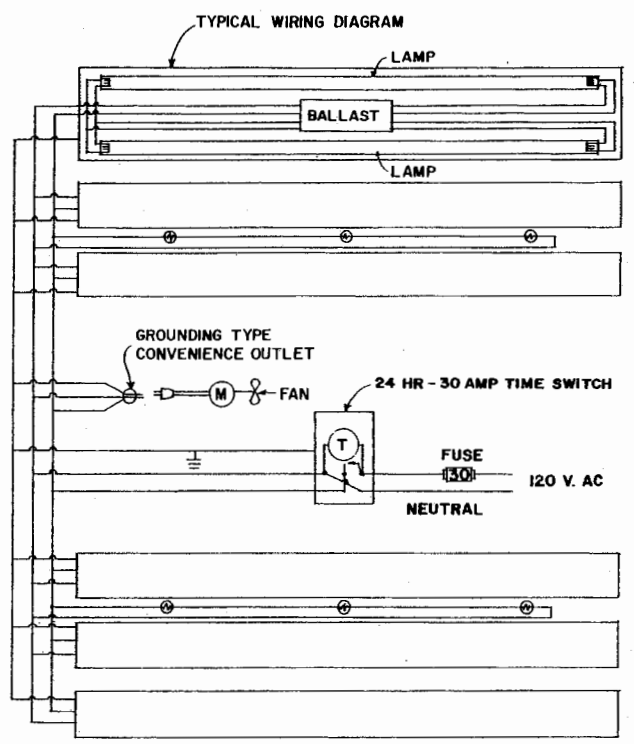
PROPAGATION UNIT FOR PLANTS

USDA '70 6101 SHEET 2 OF 3



LAMP UNIT  
SCALE: 1"=1'-0"

MEDIUM INCANDESCENT SOCKET 24" o.c.  
NOTE: INCANDESCENT WATTAGE EQUAL TO 1/4 FLUORESCENT WATTAGE



WIRING SCHEMATIC  
NO SCALE

NOTE: ALL WIRING MUST MEET THE  
LOCAL AND NATIONAL ELECTRICAL CODES



PROPAGATION UNIT FOR PLANTS

USDA '70 6101 SHEET 3 OF 3

## Disclaimer

This site makes available conceptual plans that can be helpful in developing building layouts and selecting equipment for various agricultural applications. These plans do not necessarily represent the most current technology or construction codes. They are not construction plans and do not replace the need for competent design assistance in developing safe, legal and well-functioning agricultural building system. The LSU Agriculture Center, the Mid-West Plan Service, the United States Department of Agriculture and none of the cooperating land-grant universities warranty these plans.