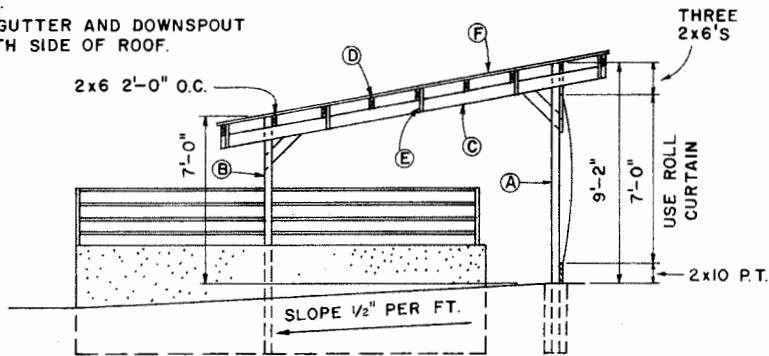


PERSPECTIVE

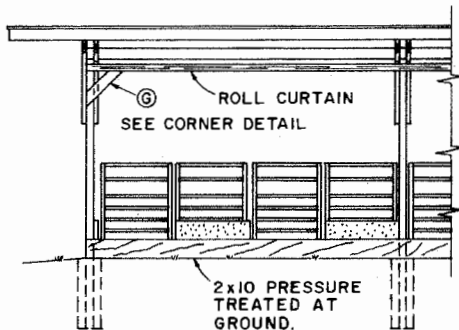
NOTE:
CURTAIN NOT SHOWN.
GUTTER & DOWNSPOUT
NOT SHOWN.

NOTES:
BOARD TYPE INSULATION TO BE
APPLIED TO RAFTERS BEFORE
PLACING CORRUGATED METAL
ROOFING.
METAL GUTTER AND DOWNSPOUT
ON SOUTH SIDE OF ROOF.

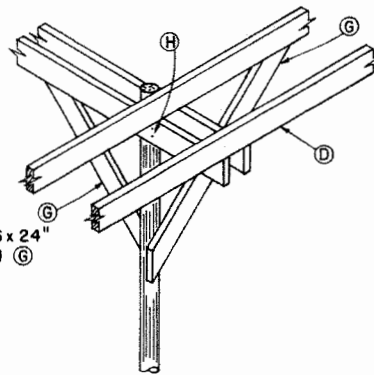


SIDE ELEVATION

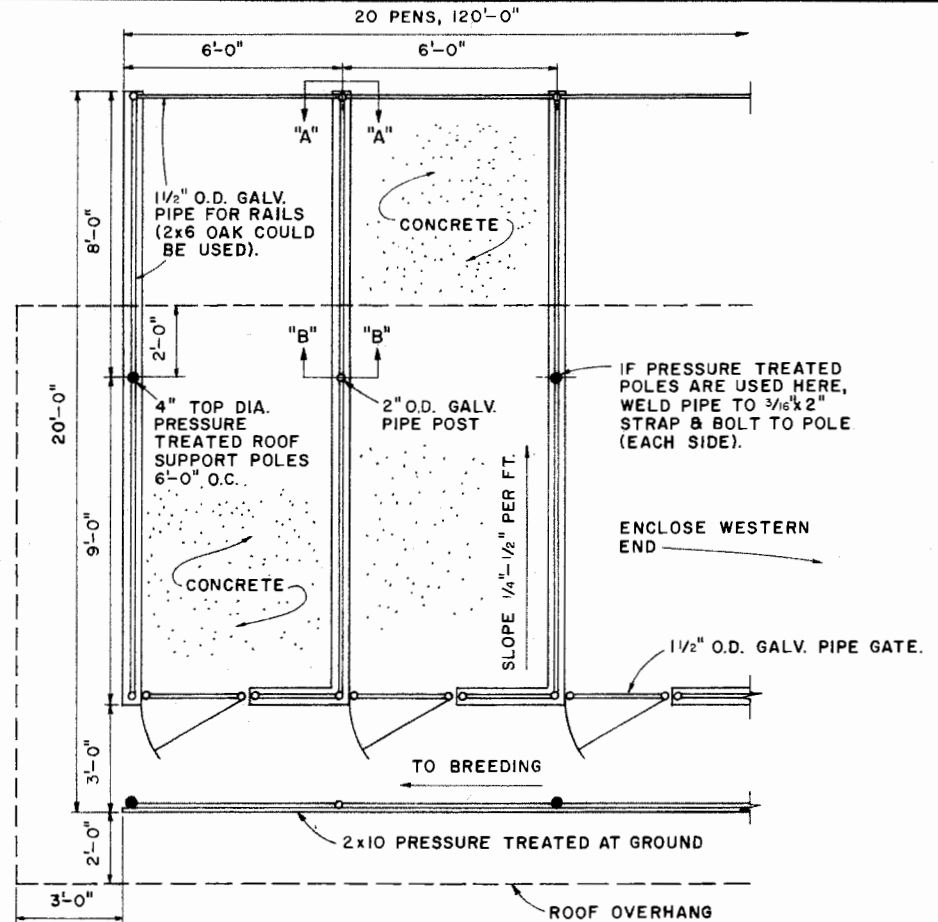
NOTE:
FOOTINGS TO BEAR ON
FIRM BASE BELOW
FROST LINE.



FRONT ELEVATION



CORNER DETAIL
NOT TO SCALE



PLAN
SCALE: 3/8"=1'-0"
12' 0' 1' 2'

CUTTING LIST

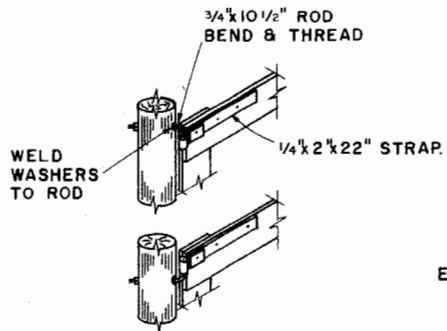
- A 4" TOP x 12'-0" POLES PRESSURE TREATED.
- B 4" TOP x 10'-0" POLES PRESSURE TREATED.
- C 2x6 x 16'-0"
- D 2x6 x 16'-0" ON END BAYS
- 2x6 x 14'-0" ON INTERMEDIATE BAYS.
- E 2x2 x 12"
- F 16'-0" x 26" CORR. METAL.
- G 2x6 x 4'-0"
- H 1/2" x 9" BOLTS

12' 0' 1' 2' 3' 4'
SCALE: 1/4"=1'-0" UNLESS
OTHERWISE NOTED

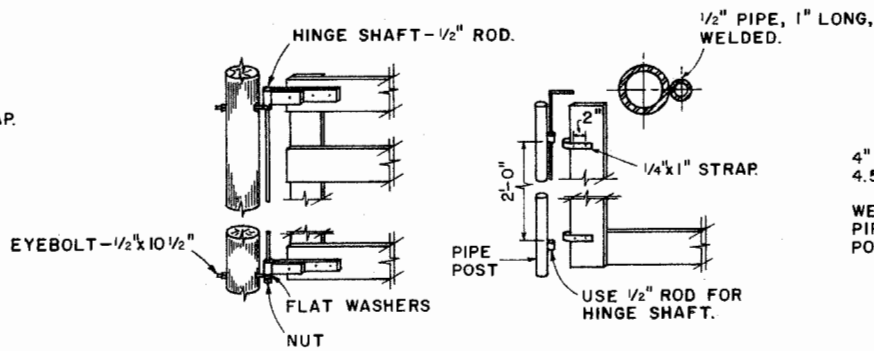


HOG HOUSE FOR BOARS

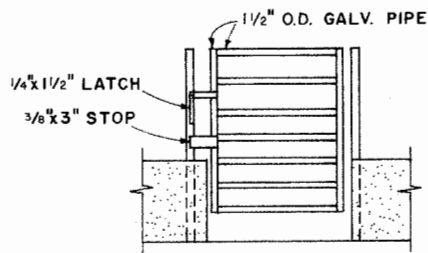
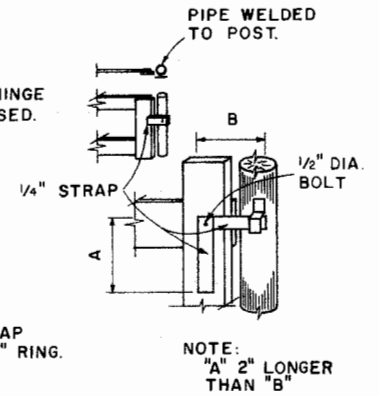
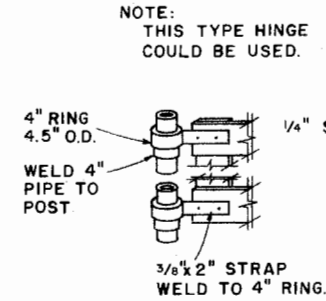
MISS. '75 6207 SHEET 1 OF 2



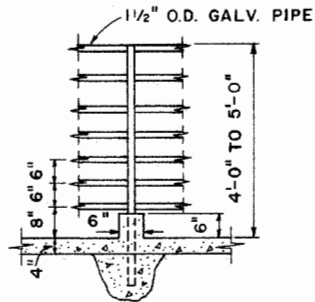
NOTE:
IF STEEL PIPE IS USED,
USE HEAVY STRAP WITH
3/4" DIA. PIN WELDED
TO POST.



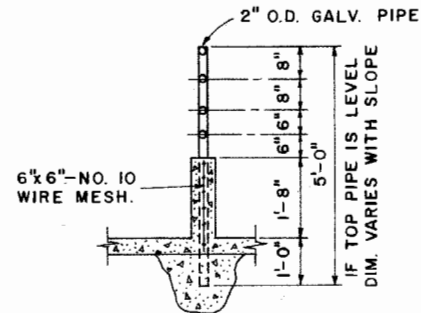
HINGES
NOT TO SCALE



GATE DETAIL

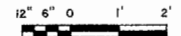


SECTION "A-A"



SECTION "B-B"

NOTE:
CONSULT LOCAL HEALTH AND BUILDING CODE
AUTHORITIES BEFORE STARTING CONSTRUCTION.



SCALE: 1/2" = 1'-0" UNLESS
OTHERWISE NOTED.



HOG HOUSE FOR BOARS

MISS. '75 6207 SHEET 2 OF 2

Disclaimer

This site makes available conceptual plans that can be helpful in developing building layouts and selecting equipment for various agricultural applications. These plans do not necessarily represent the most current technology or construction codes. They are not construction plans and do not replace the need for competent design assistance in developing safe, legal and well-functioning agricultural building system. The LSU Agriculture Center, the Mid-West Plan Service, the United States Department of Agriculture and none of the cooperating land-grant universities warranty these plans.