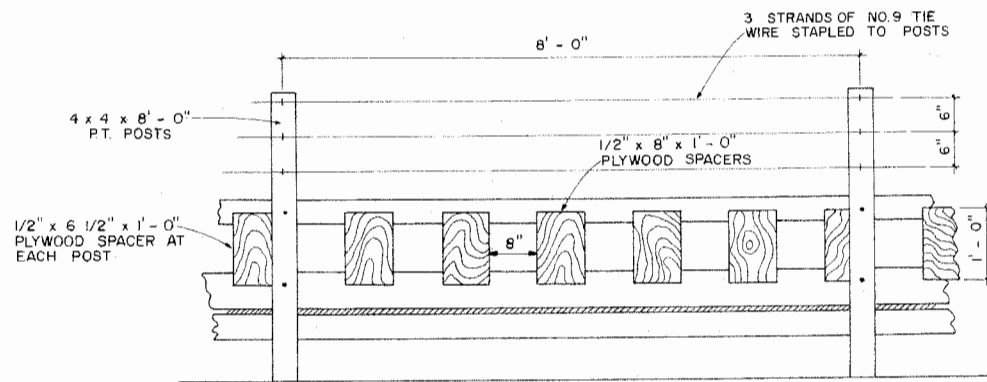
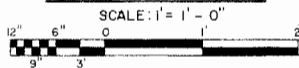
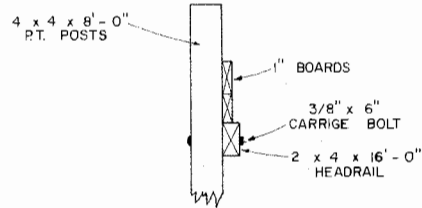
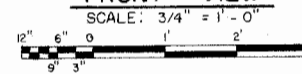


CROSS SECTION

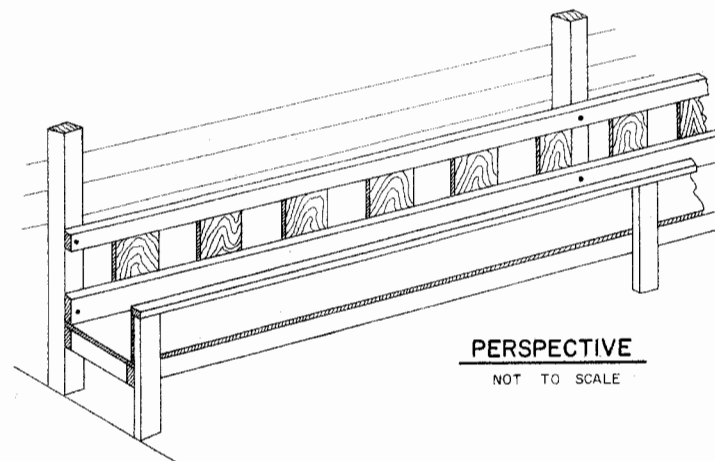


FRONT VIEW



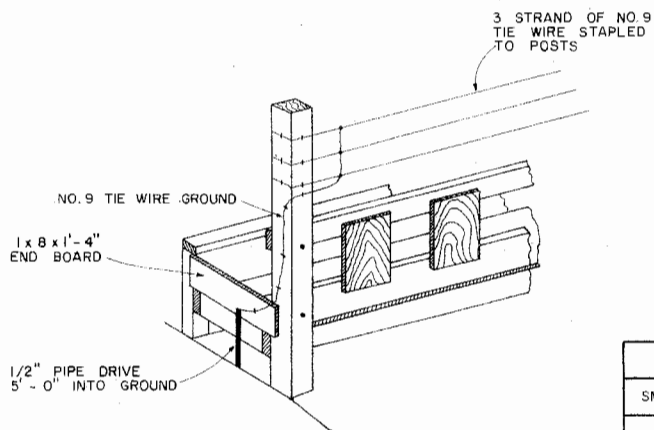
DETAIL OF OPTIONAL SILAGE DEFLECTOR

SCALE: 1' = 1'-0"



PERSPECTIVE

NOT TO SCALE



END VIEW

NOT TO SCALE

TABLE OF FEEDER HEIGHT

SHEEP SIZE	HEIGHT TO THROAT 'H'
SMALL BREEDS & FEEDER LAMBS	10" TO 1' - 6"
MEDIUM BREEDS	1' - 5" TO 1' - 8"
LARGE BREEDS	1' - 8" TO 1' - 10"

SCALE: 1' = 1'-0" UNLESS OTHERWISE NOTED.



FENCELINE FEEDER FOR SHEEP

USDA '79 EX. 6328 SHEET 1 OF 1

Disclaimer

This site makes available conceptual plans that can be helpful in developing building layouts and selecting equipment for various agricultural applications. These plans do not necessarily represent the most current technology or construction codes. They are not construction plans and do not replace the need for competent design assistance in developing safe, legal and well-functioning agricultural building system. The LSU Agriculture Center, the Mid-West Plan Service, the United States Department of Agriculture and none of the cooperating land-grant universities warranty these plans.