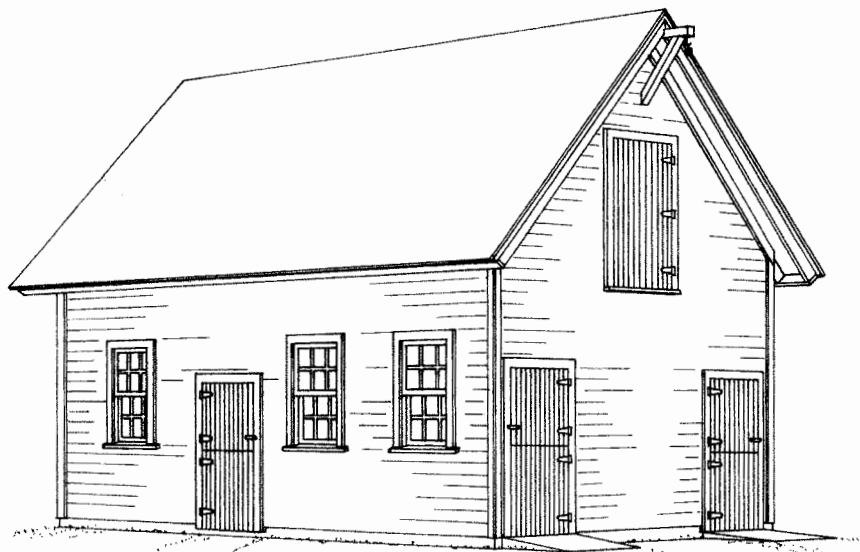
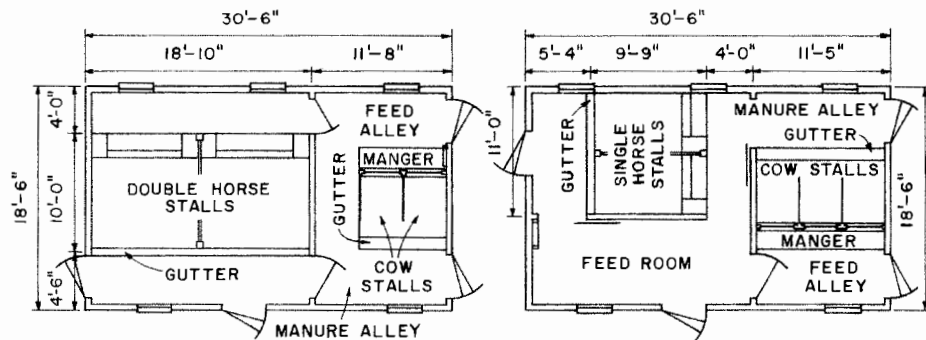


PLAN



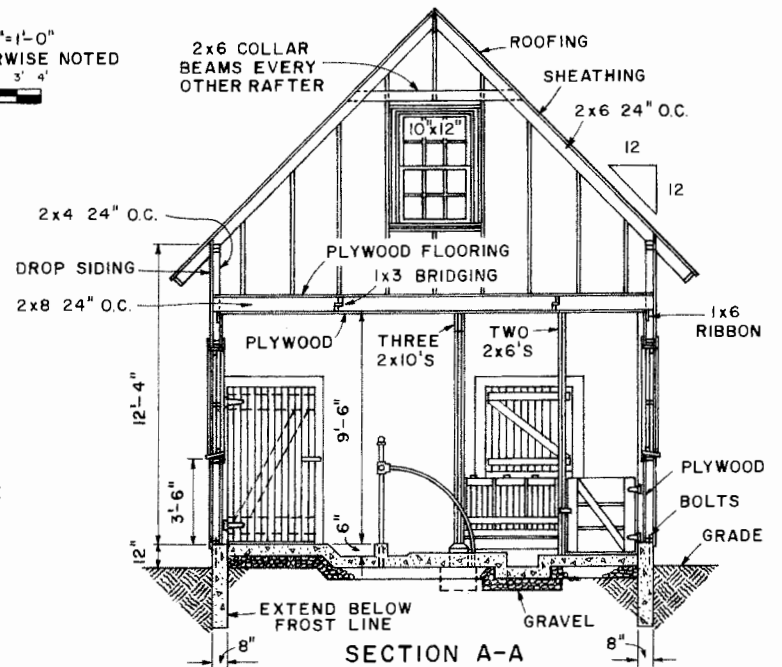
PERSPECTIVE



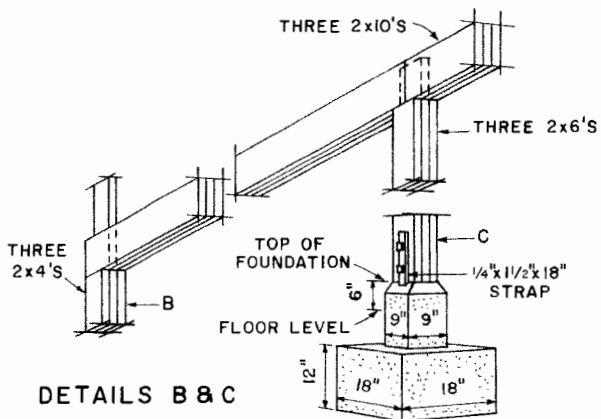
ALTERNATE PLANS

SCALE: $1/8" = 1'-0"$
 12" 0 4' 8'

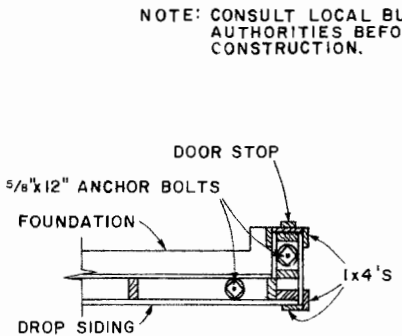
SCALE: $1/4" = 1'-0"$
 UNLESS OTHERWISE NOTED
 12" 0 1' 2' 3' 4'



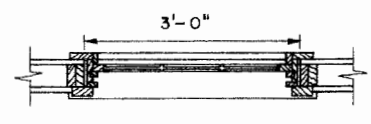
SECTION A-A



DETAILS B & C



SECTION AT CORNER



SECTION OF WINDOW

SCALE: $3/4" = 1'-0"$
 12" 6" 0 1'

BASED ON: USDA PLAN NO. 5021

NOTE: CONSULT LOCAL BUILDING CODE
 AUTHORITIES BEFORE STARTING
 CONSTRUCTION.



Disclaimer

This site makes available conceptual plans that can be helpful in developing building layouts and selecting equipment for various agricultural applications. These plans do not necessarily represent the most current technology or construction codes. They are not construction plans and do not replace the need for competent design assistance in developing safe, legal and well-functioning agricultural building system. The LSU Agriculture Center, the Mid-West Plan Service, the United States Department of Agriculture and none of the cooperating land-grant universities warranty these plans.