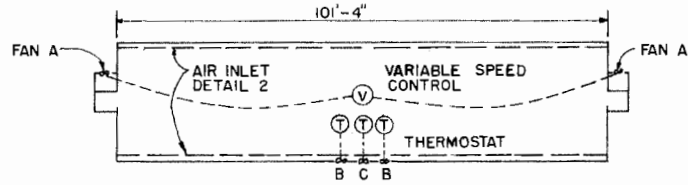


FOUNDATION & FLOOR PLAN

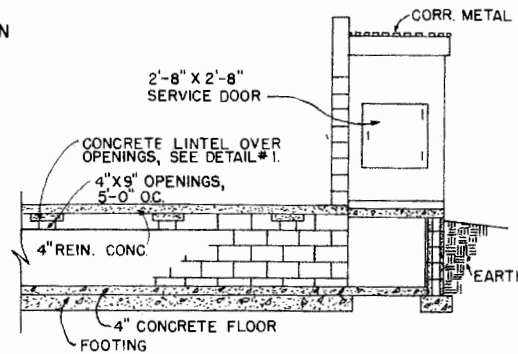
SCALE: 1/8"=1'-0"
1 2 3 4 5 6 7 8



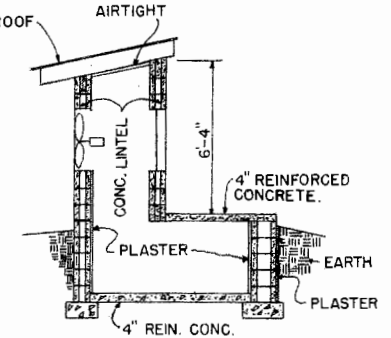
FAN LAYOUT
SCALE: NONE

NOTE:

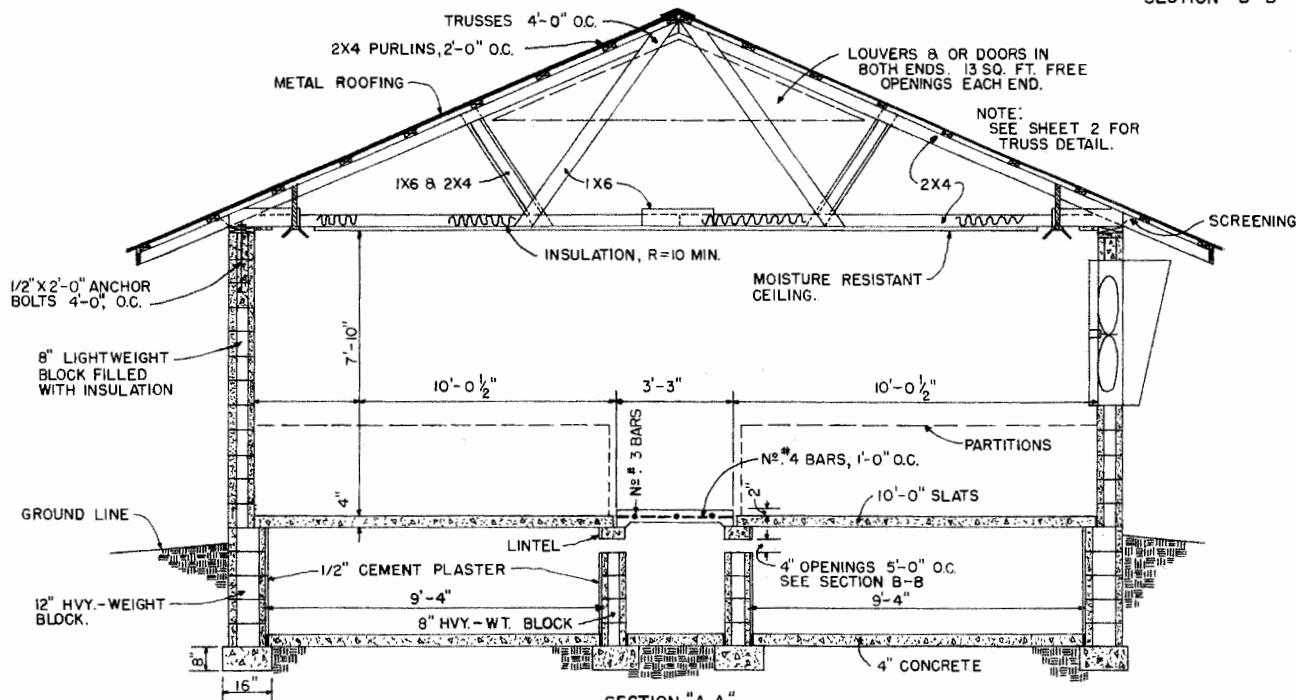
- FAN A - 4000 TO 5000 CFM VARIABLE SPEED.
- FAN B - 4000 TO 5000 CFM.
- FAN C - 8,500 CFM.



SECTION "B-B"



SECTION "C-C"



SECTION "A-A"

SCALE: 3/8"=1'-0"

12' 6" 0' 1' 2' 3'

LOUVERS & OR DOORS IN BOTH ENDS. 13 SQ. FT. FREE OPENINGS EACH END.

NOTE: SEE SHEET 2 FOR TRUSS DETAIL.

NOTE: CONSULT WITH LOCAL HEALTH AND BUILDING CODE AUTHORITIES BEFORE STARTING CONSTRUCTION.

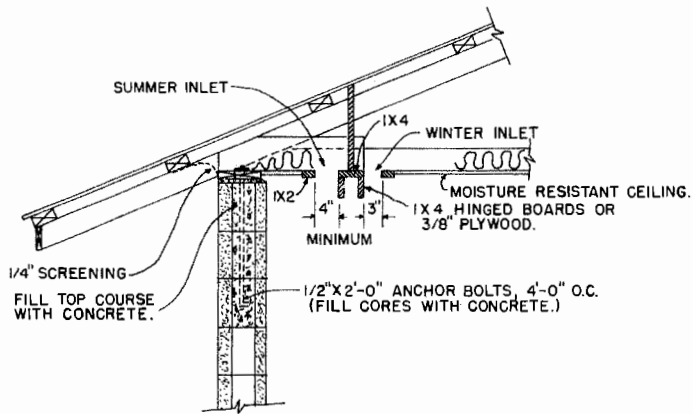
12' 0" 1' 2' 3' 4' 5'

SCALE: 1/4"=1'-0" UNLESS OTHERWISE NOTED

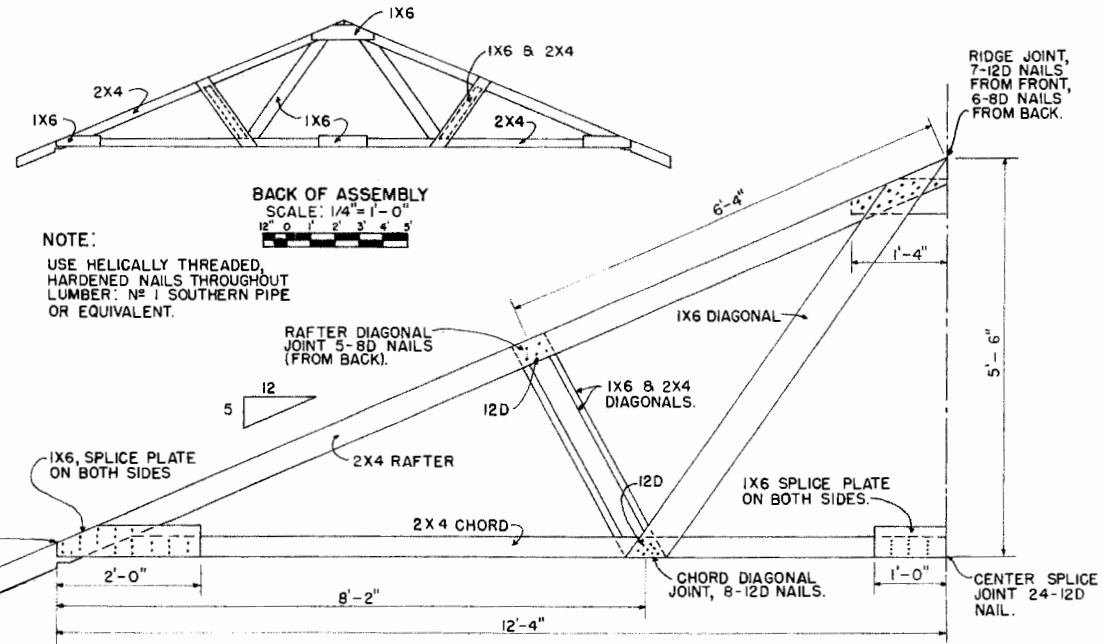


NURSERY BUILDING FOR PIGS

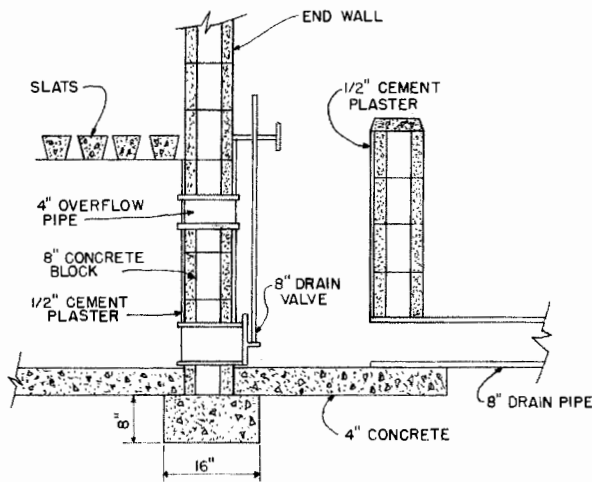
N.C. '75 6219 SHEET 1 OF 2



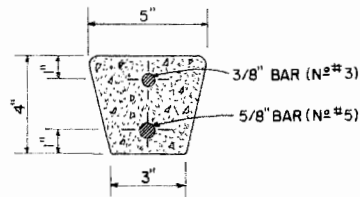
AIR INLET DETAIL #2



TRUSS DETAILS - HALF ASSEMBLY



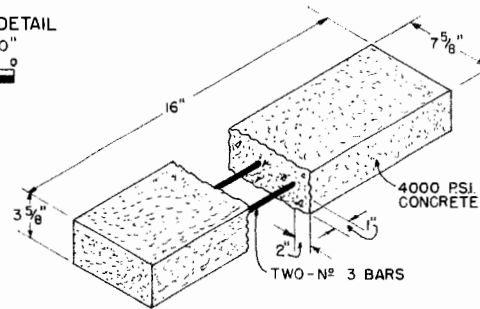
SECTION "D-D"
PIT DRAIN DETAIL



CONCRETE SLAT DETAIL

SCALE: 3" = 1'-0"

6" 5" 4" 3" 2" 1" 0"



DETAIL #1
CONCRETE LINTEL
SCALE: NONE

SCALE: 3/4" = 1'-0" UNLESS OTHERWISE NOTED.

12" 6" 0"



NURSERY BUILDING
FOR PIGS

N.C. '75 6219 SHEET 2 OF 2

Disclaimer

This site makes available conceptual plans that can be helpful in developing building layouts and selecting equipment for various agricultural applications. These plans do not necessarily represent the most current technology or construction codes. They are not construction plans and do not replace the need for competent design assistance in developing safe, legal and well-functioning agricultural building system. The LSU Agriculture Center, the Mid-West Plan Service, the United States Department of Agriculture and none of the cooperating land-grant universities warranty these plans.