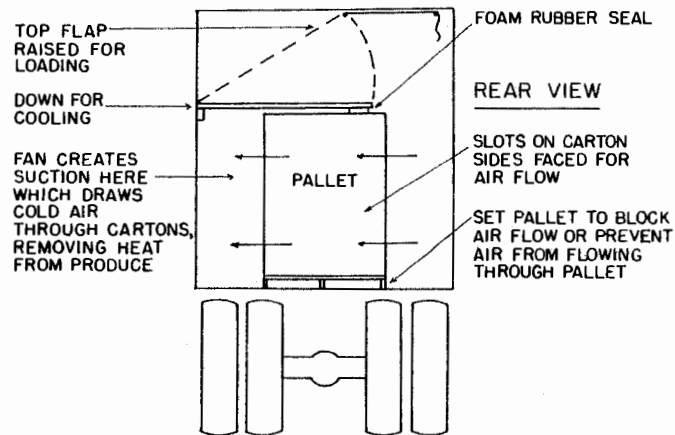


**COOLING RATE**

WITH ADEQUATE AIR FLOW THROUGH CARTONS 2 TONS OF REFRIGERATION CAN LOWER TEMPERATURE OF:

POUNDS OF PRODUCE	DEGREES (F) PER HOUR
2,000	10
4,000	5
10,000	2
20,000	1




**NOTE :**

REFRIGERATION UNITS ARE USUALLY 2-3 TON CAPACITY. 1 TON OF REFRIGERATION WILL REMOVE ENOUGH HEAT FROM 10,000 LB. OF PRODUCE TO LOWER TEMPERATURE ABOUT 1° F PER HOUR, IF THERE IS ENOUGH AIRFLOW TO GET THE HEAT OUT OF THE CARTONS AND TO THE EVAPORATOR COILS. CARTON SLOT AREA SHOULD BE AT LEAST 4% OF SIDE PANEL AREA. 1/2 CFM AIRFLOW PER LB. OF PRODUCE TO BE COOLED, IS REQUIRED AT 0.5" S.P. MINIMUM

**EXAMPLE :**

5 PALLETES OF CUCUMBERS  
10,000 LBS. PRODUCE  
5,000 CFM @ 1/2" SP  
(PROBABLY 1 1/2 HP)

2 TONS REFRIGERATION  
SHOULD LOWER TEMPERATURE 2° F PER HOUR



**LSU**  
AgCenter  
RESEARCH & EXTENSION

**REFRIGERATED SEMI-TRAILER  
PRESSURE COOLER**

ENGINEER	BRANCH	SCALE	3/8" = 1'-0"
DRAWN BY	NICHOLS	SHEET	1 OF 1
TRACED BY	NICHOLS	DATE	3/ '86
		NO.	84-03

## Disclaimer

This site makes available conceptual plans that can be helpful in developing building layouts and selecting equipment for various agricultural applications. These plans do not necessarily represent the most current technology or construction codes. They are not construction plans and do not replace the need for competent design assistance in developing safe, legal and well-functioning agricultural building system. The LSU Agriculture Center, the Mid-West Plan Service, the United States Department of Agriculture and none of the cooperating land-grant universities warranty these plans.