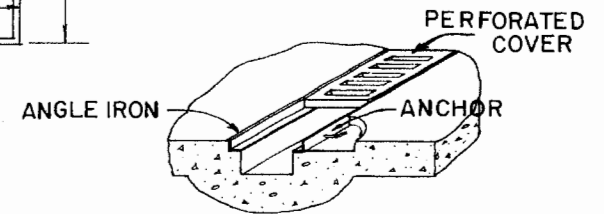
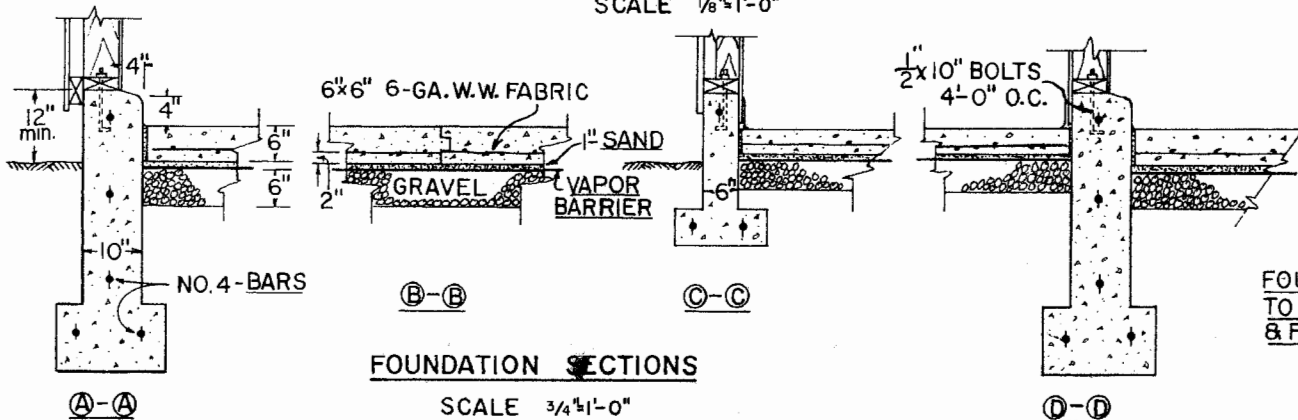


FOUNDATION & FLOOR LAYOUT

SCALE 1/8" = 1'-0"



TROUGH DRAIN DETAIL

IN COOPERATION:
UNIVERSITY OF CALIFORNIA-DAVIS, CALIFORNIA
TRANSPORTATION FACILITIES RESEARCH DIVISION
AGRICULTURAL ENGINEERING RESEARCH DIVISION

NOTE

FOUNDATION DEPTHS
TO SUIT LOCAL SOIL
& FROST CONDITIONS

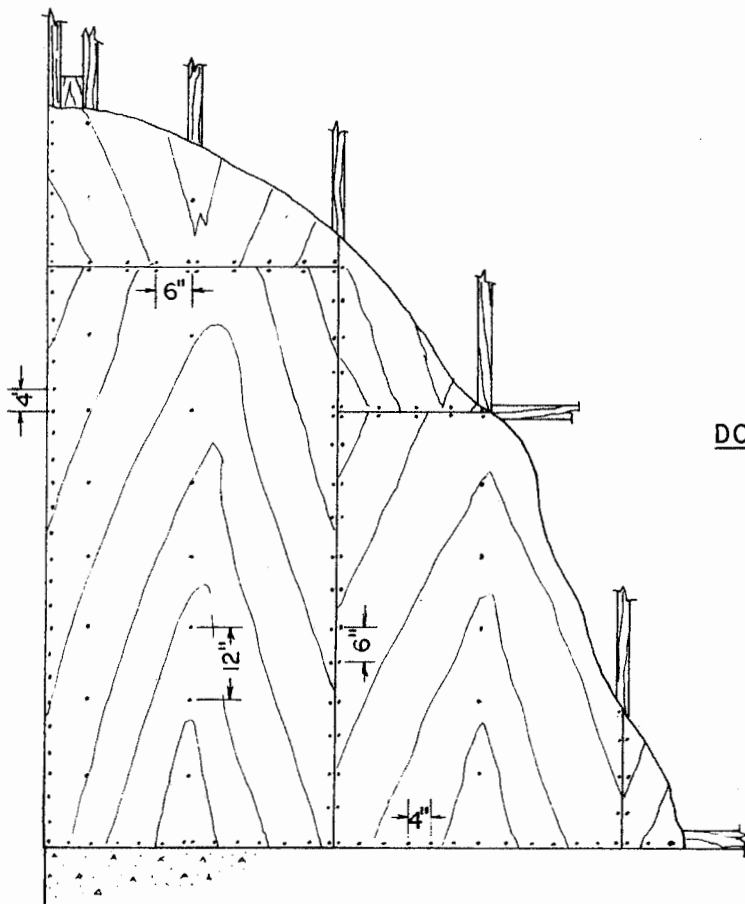
NOTE: THE OPERATOR PLANNING TO BUILD THIS STRUCTURE SHOULD OBTAIN THE SERVICES OF A PROFESSIONAL ENGINEER TO DESIGN THE PLANT TO MEET THE OPERATOR'S PARTICULAR NEEDS AND TO MEET LOCAL CONDITIONS, AS WELL AS TO SUPERVISE CONSTRUCTION.

NOTE:
SHEET 1-REVISED
CREDIT LINE ADDED
MARCH 8, 1971.



EGG PROCESSING PLANT

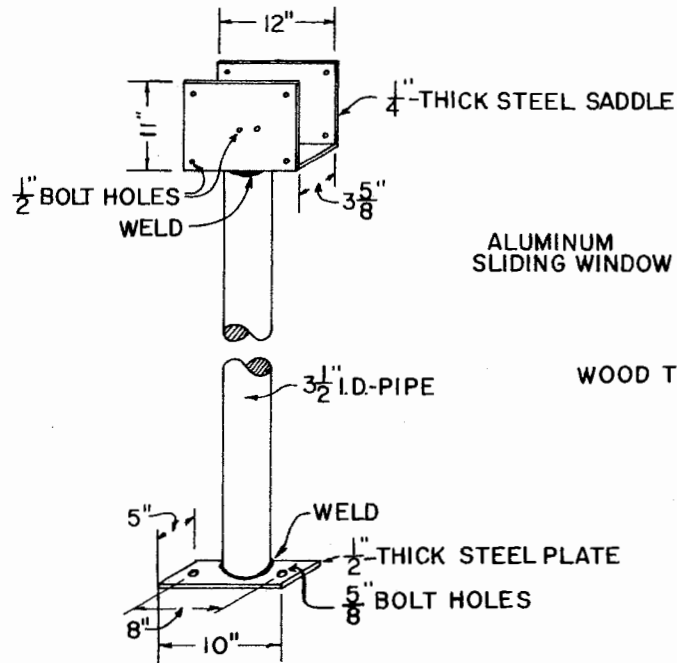
USDA-TFRD '70 6095 SHEET 1 OF 6



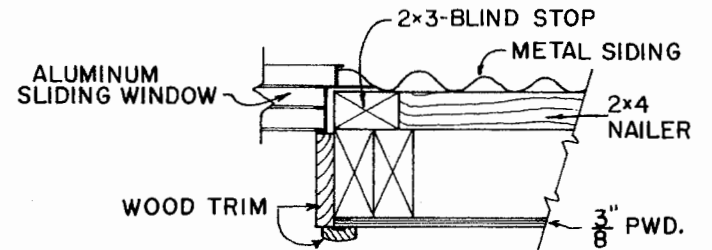
PLYWOOD NAILING SCHEDULE

USE 8^d COM.-NAILS OR EQUIVALENT
MECHANICALLY DRIVEN FASTENERS

SCALE 3/4"=1'-0"

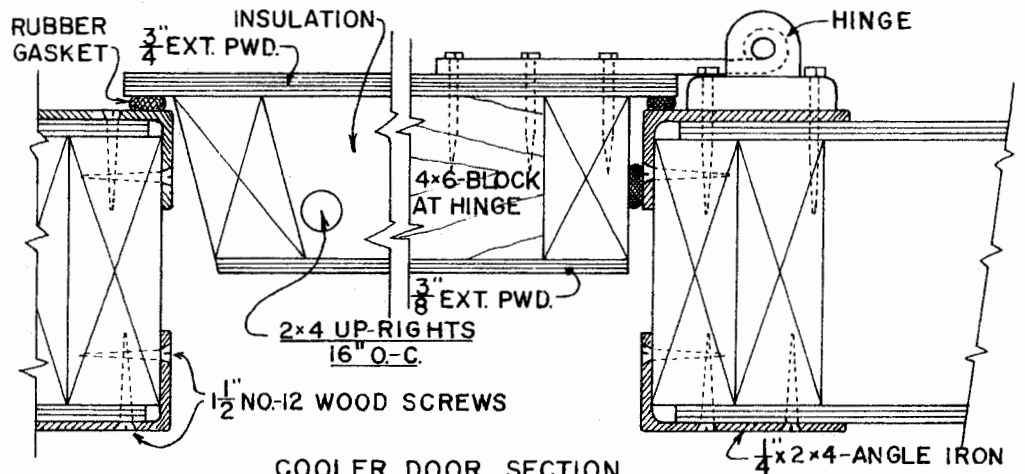


DOCK ROOF SUPPORTS



OFFICE WINDOW DETAIL

SCALE 3/4"=1'-0"



COOLER DOOR SECTION

SCALE HALF SIZE

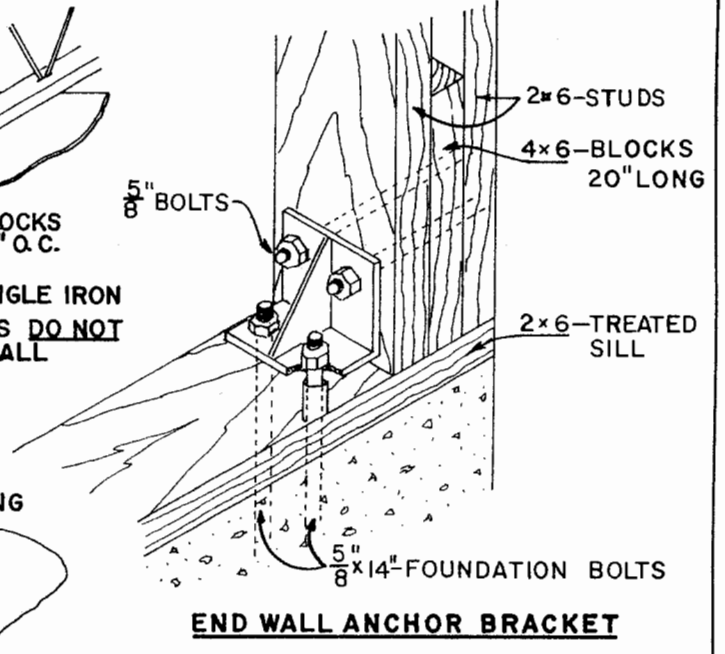
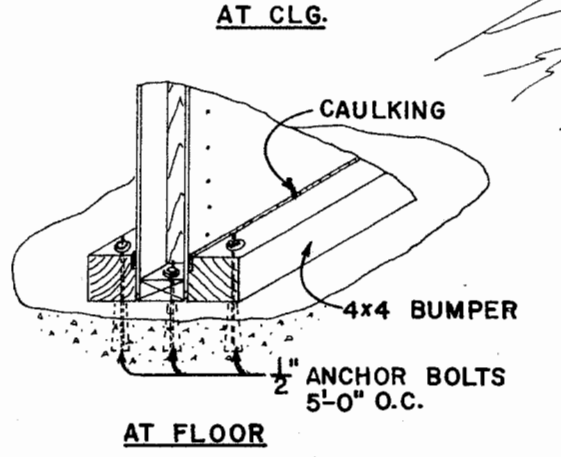
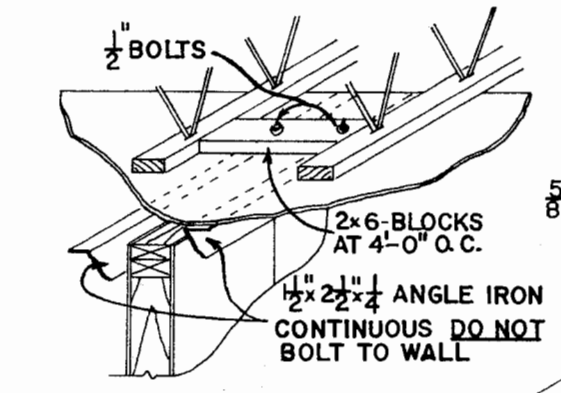
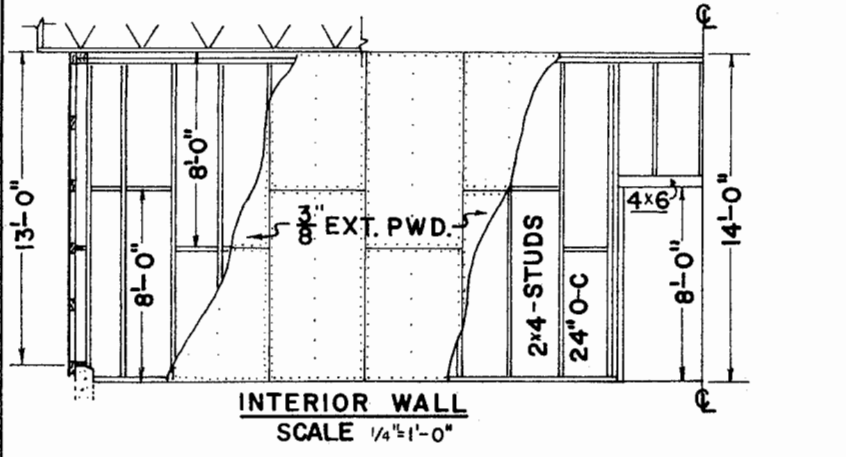
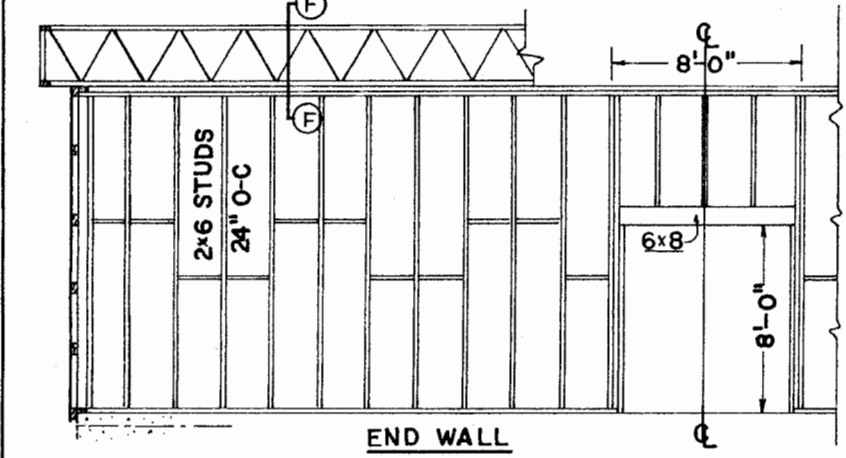
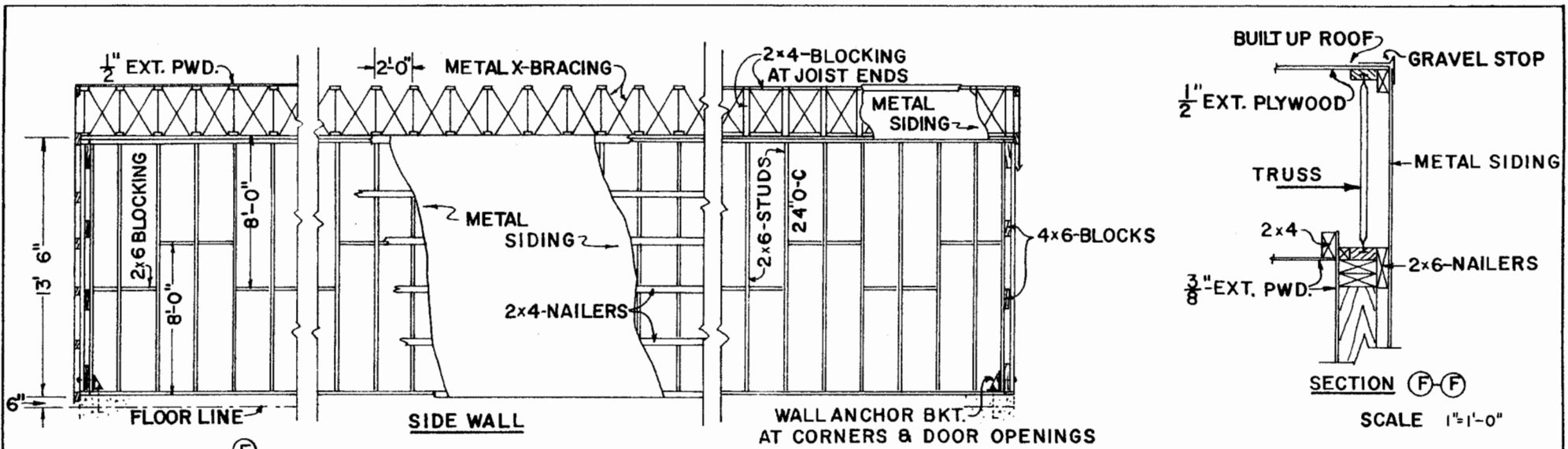


EGG PROCESSING PLANT

USDA-TFRD '70

6095

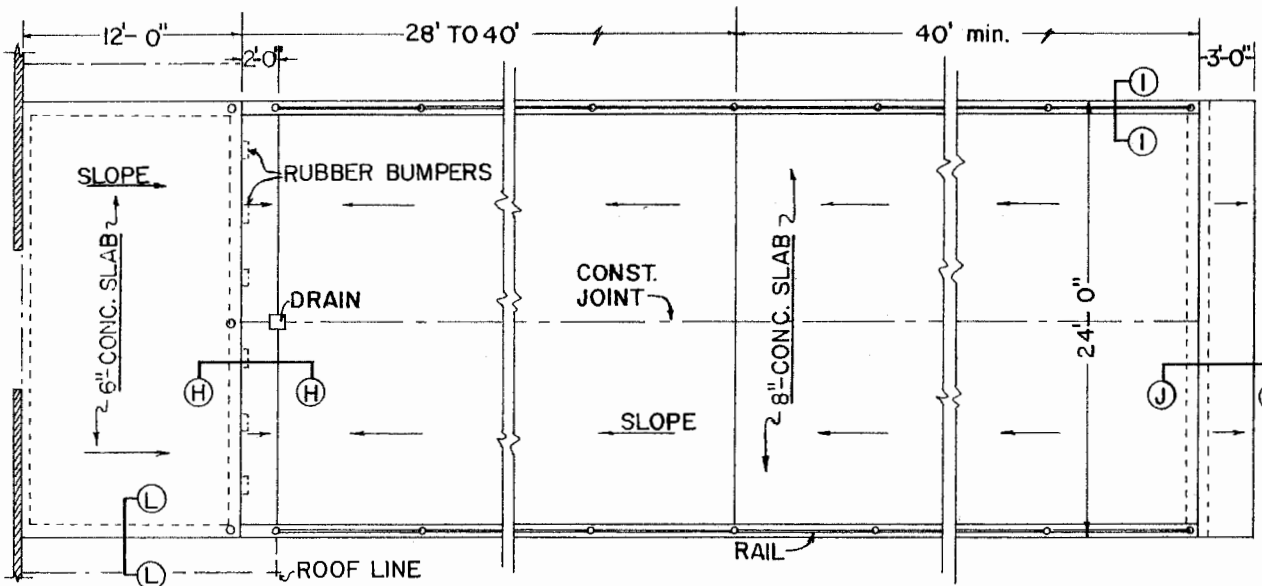
SHEET 2 OF 6



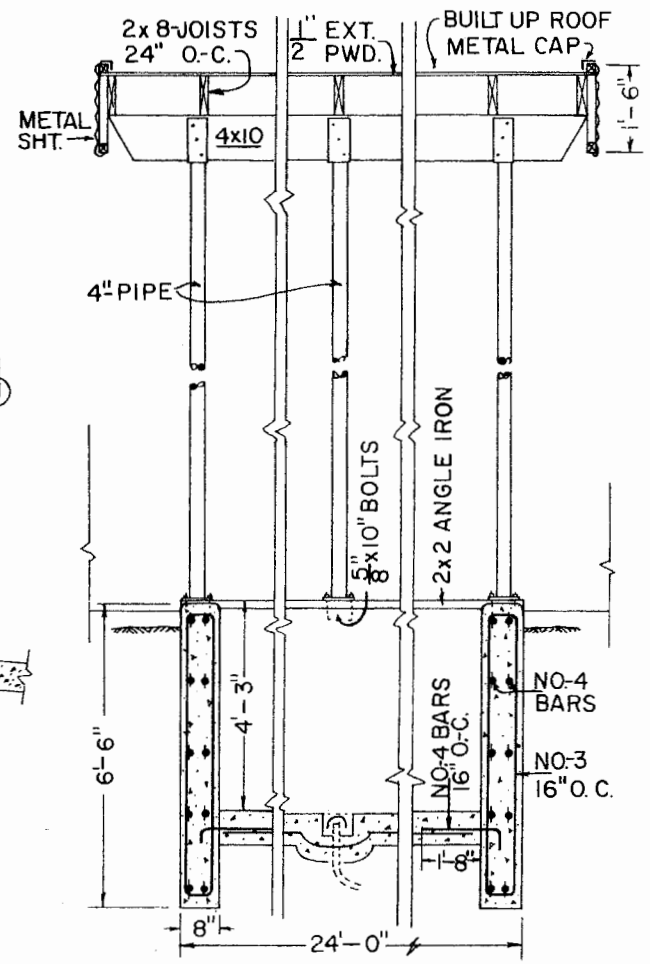
LSU AgCenter
 Research & Extension

EGG PROCESSING PLANT

USDA-TFRD '70 6095 SHEET 3 OF 6

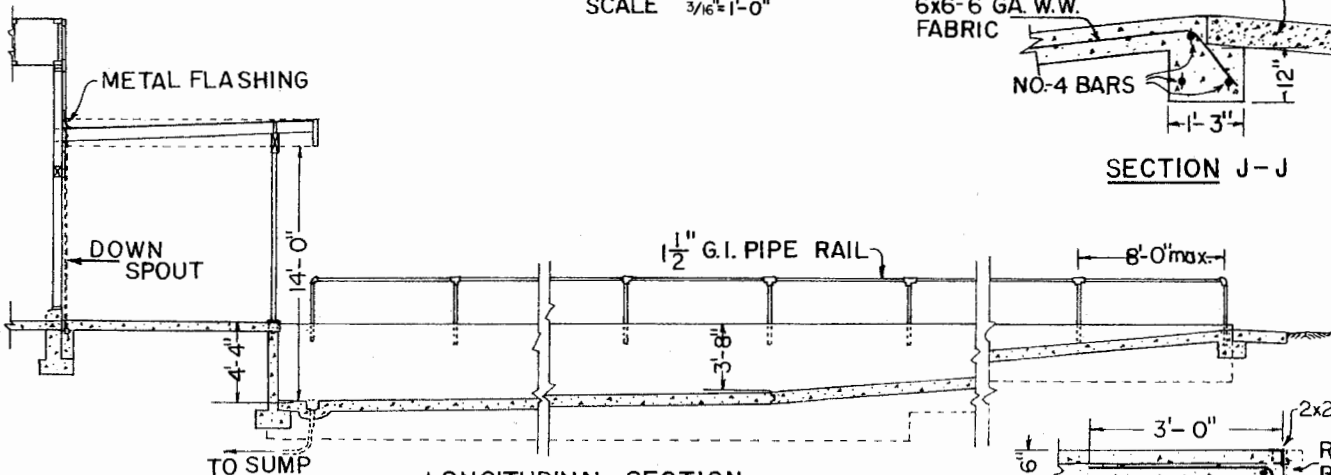


PLAN
SCALE 3/16"=1'-0"

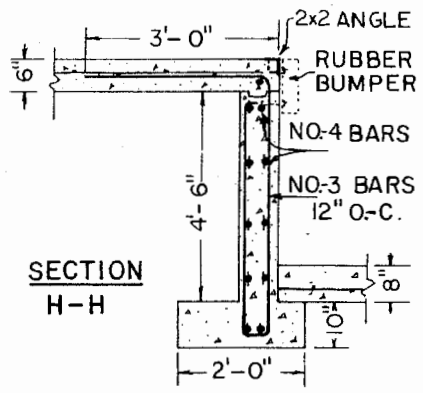


CROSS SECTION

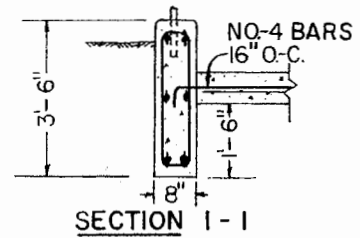
- NOTE**
- 1- PLACE BOLTS IN POUR FOR RUBBER DOCK BUMPERS
 - 2- FOR 4" PIPE COLUMN PLATES
 - 3- SLEEVES FOR 1 1/2" PIPE RAIL UP-RIGHTS



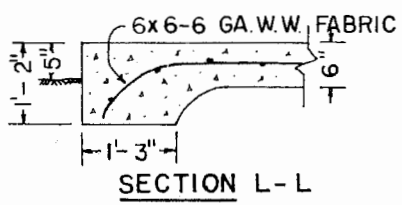
LONGITUDINAL SECTION
SCALE 3/16"=1'-0"



SECTION H-H



SECTION I-I



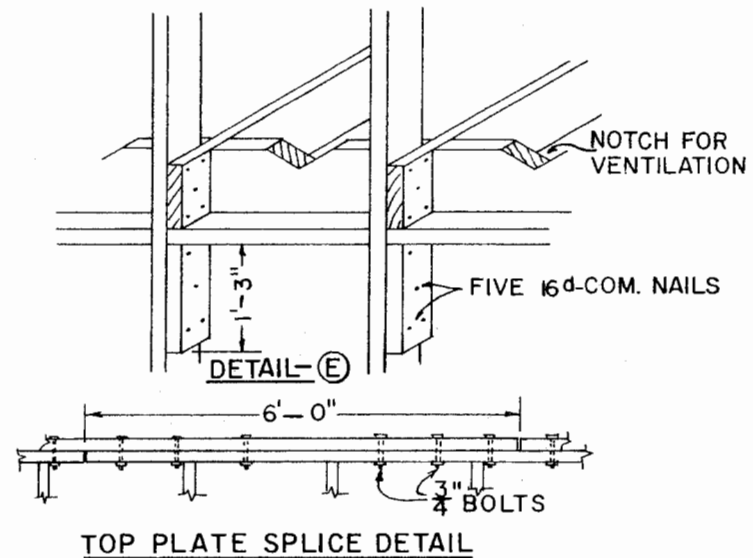
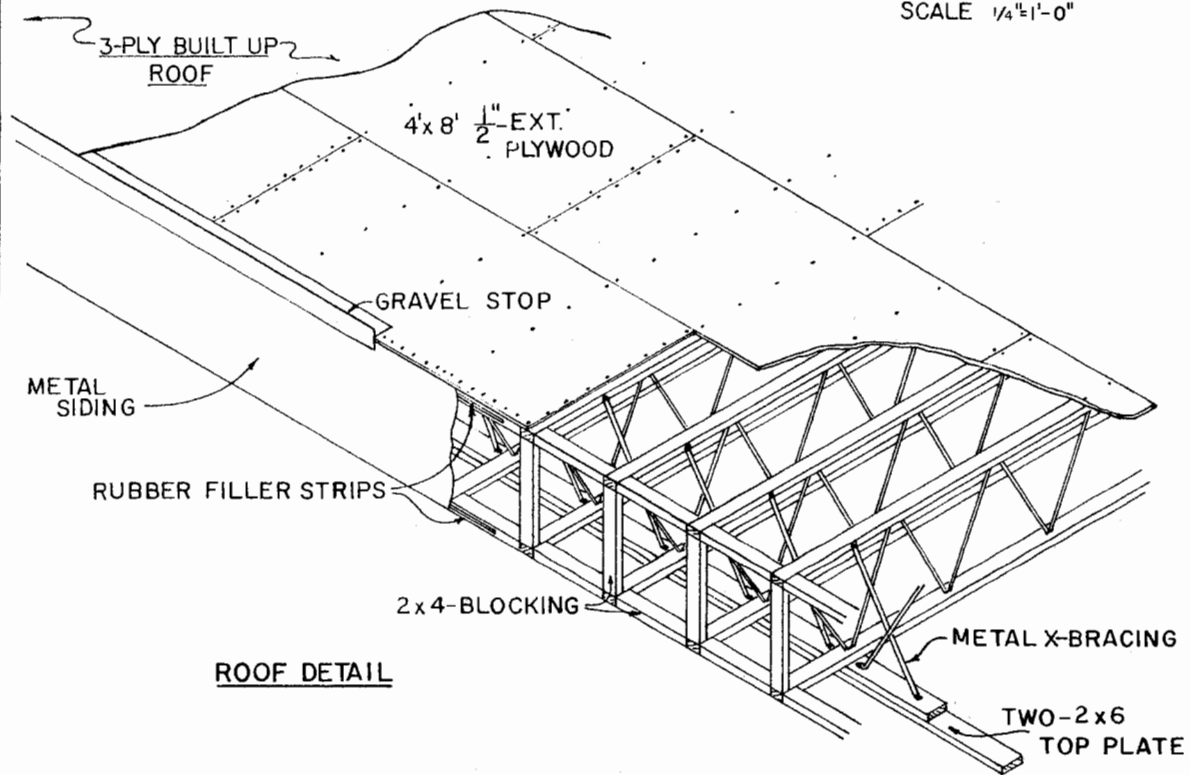
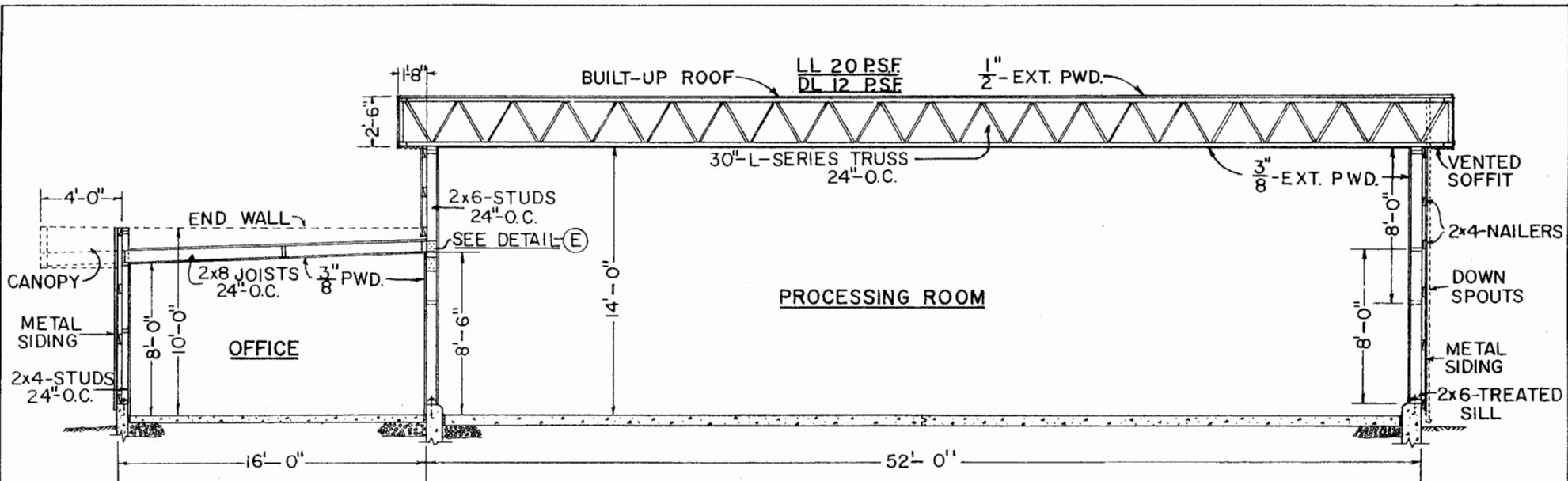
SECTION L-L

LOADING DOCK & TRUCK PIT

LSU
AgCenter
Research & Extension

EGG PROCESSING PLANT

USDA-TFRD '70	6095	SHEET 4 OF 6
---------------	------	--------------



Disclaimer

This site makes available conceptual plans that can be helpful in developing building layouts and selecting equipment for various agricultural applications. These plans do not necessarily represent the most current technology or construction codes. They are not construction plans and do not replace the need for competent design assistance in developing safe, legal and well-functioning agricultural building system. The LSU Agriculture Center, the Mid-West Plan Service, the United States Department of Agriculture and none of the cooperating land-grant universities warranty these plans.