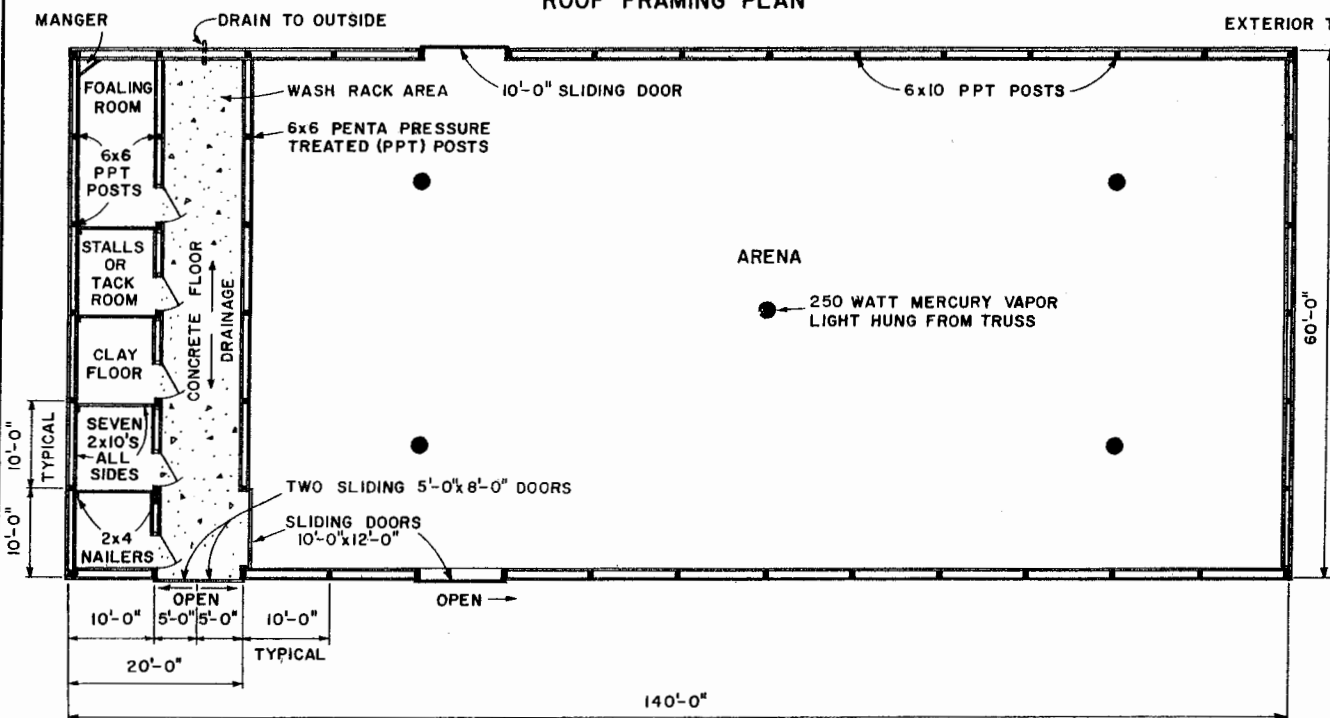
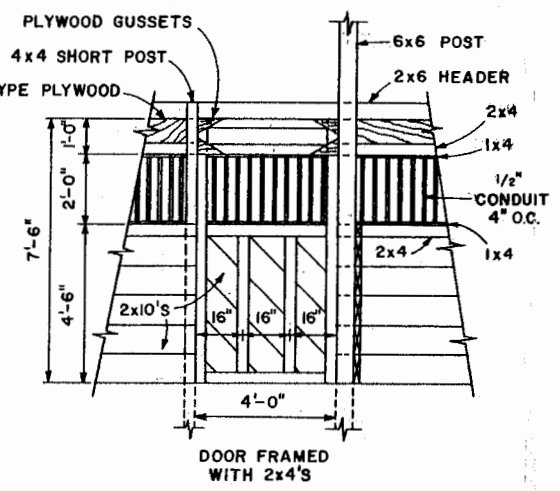


ROOF FRAMING PLAN



FLOOR PLAN



STALL DOOR DETAIL

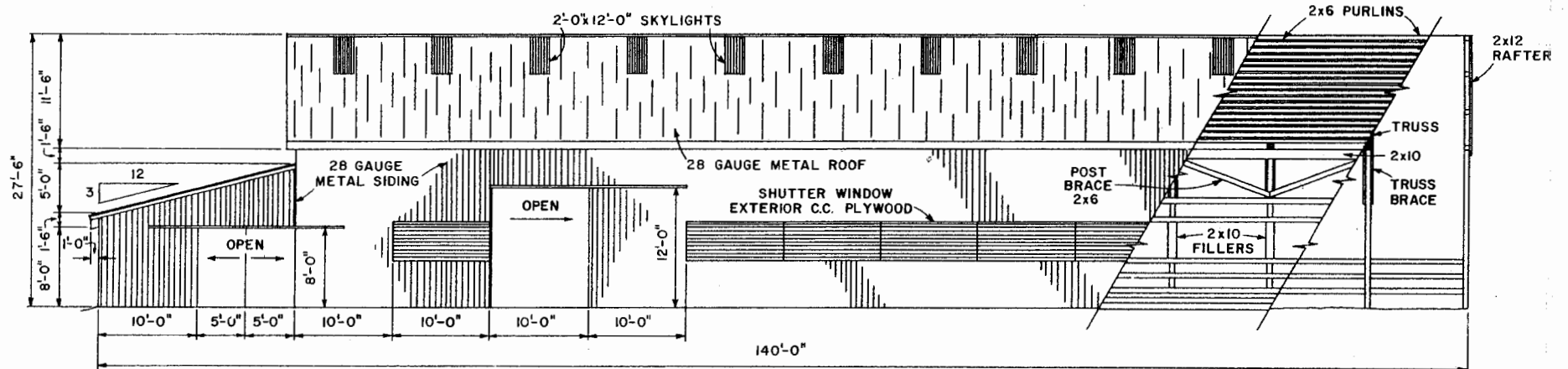
SCALE: 3/8" = 1'-0"
SCALE: 3/32" = 1'-0" UNLESS OTHERWISE NOTED



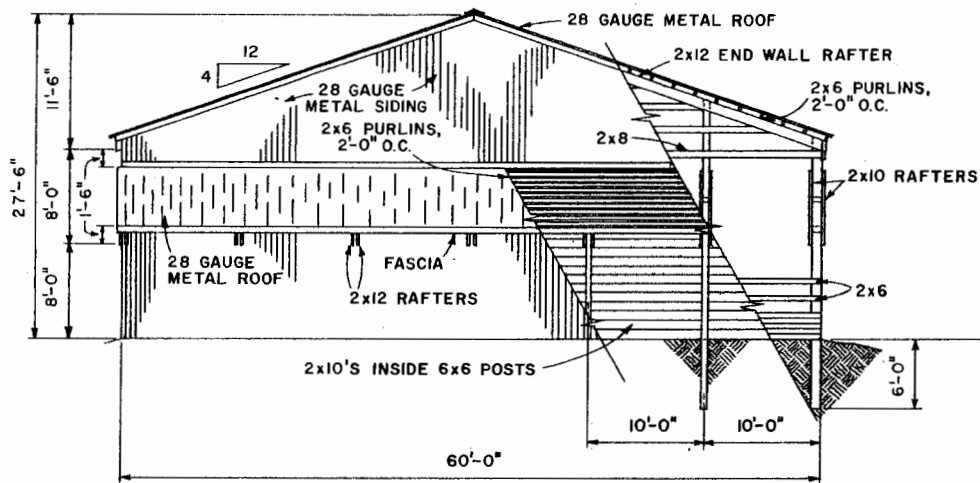
HORSE BARN & ARENA

10.	'73	6171	SHEET 1 OF 3
-----	-----	------	--------------

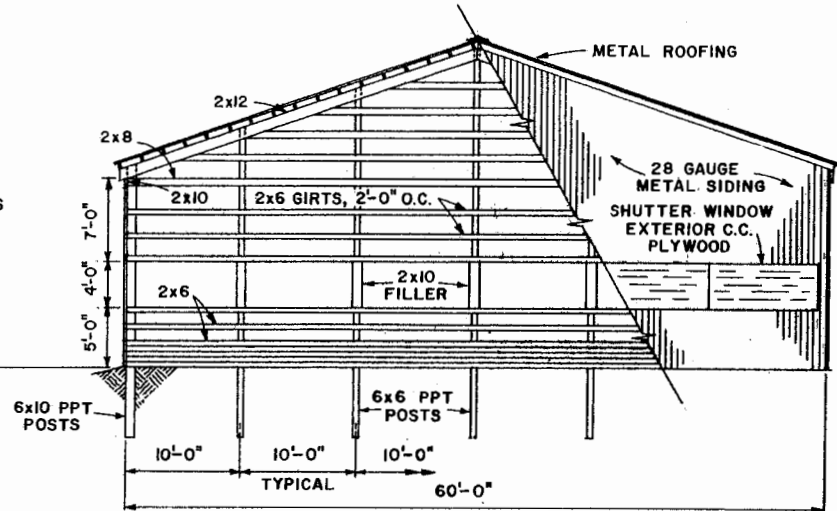
BASED ON: UNIV. OF IDAHO PLAN AE-73-01



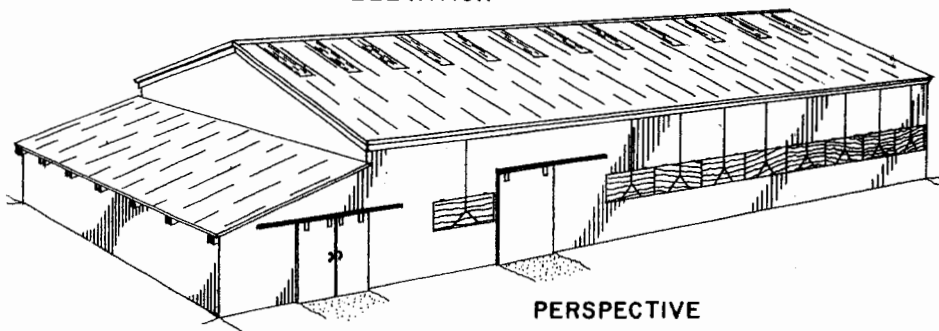
ELEVATION



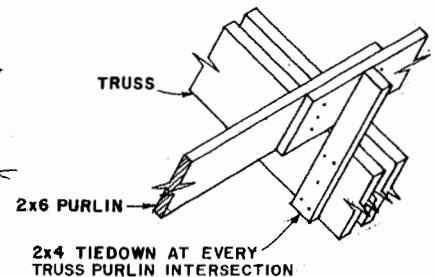
ELEVATION



ELEVATION



PERSPECTIVE



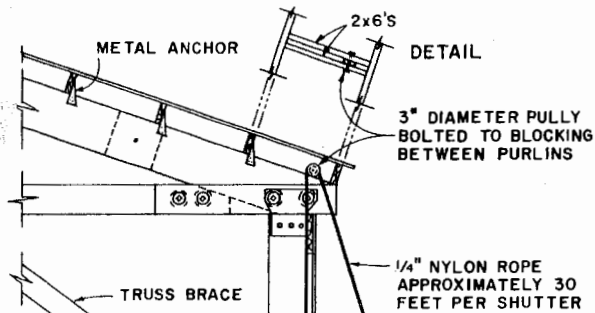
PURLIN LAP & TIEDOWN
NO SCALE

0' 3' 8' 12'
12" 2' 4"
SCALE: 1/4" = 1'-0" UNLESS OTHERWISE NOTED

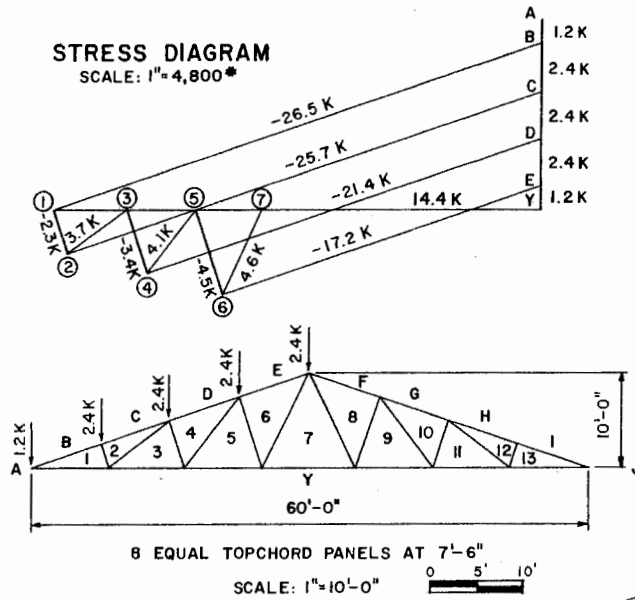


HORSE BARN & ARENA

ID. '73 6171 SHEET 2 OF 3

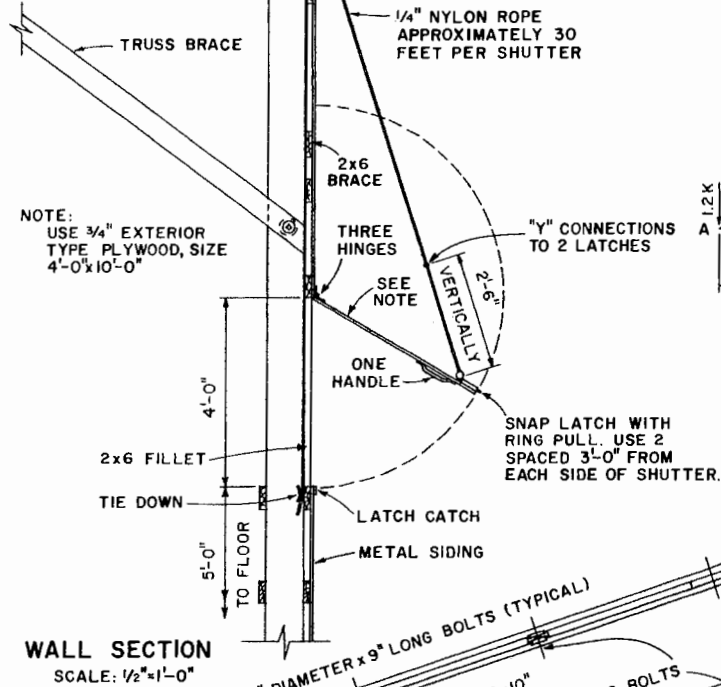


STRESS DIAGRAM
SCALE: 1"=4,800*

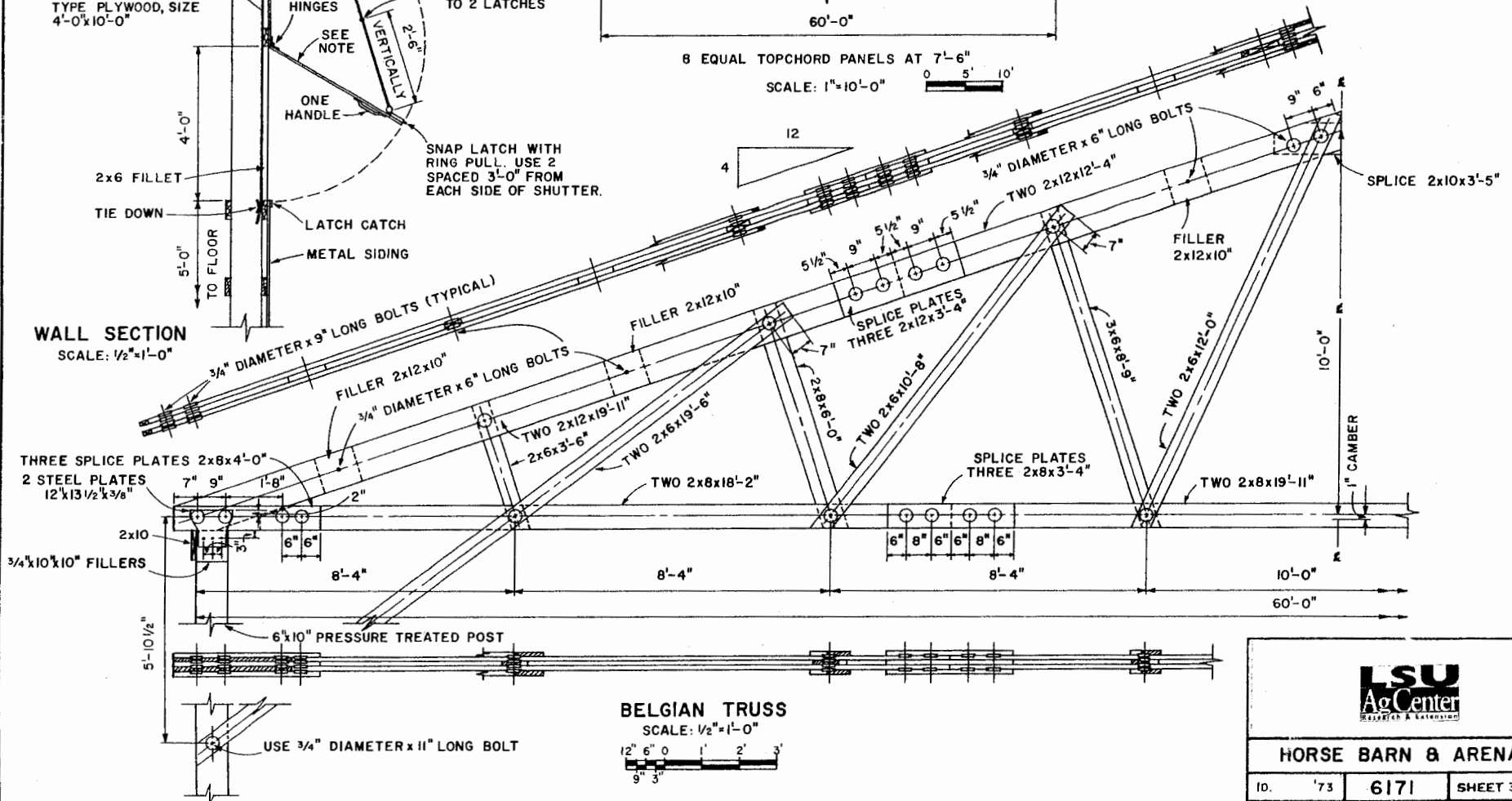


- NOTES:**
- TOTAL LOAD, LIVE PLUS DEAD=32 POUNDS PER SQUARE FOOT.
 - TRUSS SPACING 10'-0" O.C.
 - THE PROPER CAMBER MAY BE INTRODUCED BY RAISING THE LOWER CHORD 1/2" AT THE CENTER DURING FABRICATION.
 - LUMBER SHALL BE A STRUCTURAL GRADE WITH MINIMUM ALLOWABLE WORKING STRESSES IN POUNDS PER SQUARE INCH AS FOLLOWS:
800 PSI COMPRESSION PARALLEL TO THE GRAIN
1,200 PSI EXTREME FIBER IN BENDING
1,600,000 PSI MODULUS OF ELASTICITY.
 - CONNECTORS:
4" DIAMETER SPLIT RINGS
3/4" DIAMETER x 9 1/2" LONG BOLTS & 3" WASHERS UNLESS OTHERWISE SPECIFIED.

NOTE:
USE 3/4" EXTERIOR
TYPE PLYWOOD, SIZE
4'-0" x 10'-0"



WALL SECTION
SCALE: 1/2"=1'-0"



BELGIAN TRUSS
SCALE: 1/2"=1'-0"



HORSE BARN & ARENA

Disclaimer

This site makes available conceptual plans that can be helpful in developing building layouts and selecting equipment for various agricultural applications. These plans do not necessarily represent the most current technology or construction codes. They are not construction plans and do not replace the need for competent design assistance in developing safe, legal and well-functioning agricultural building system. The LSU Agriculture Center, the Mid-West Plan Service, the United States Department of Agriculture and none of the cooperating land-grant universities warranty these plans.