

LONGITUDINAL SECTION

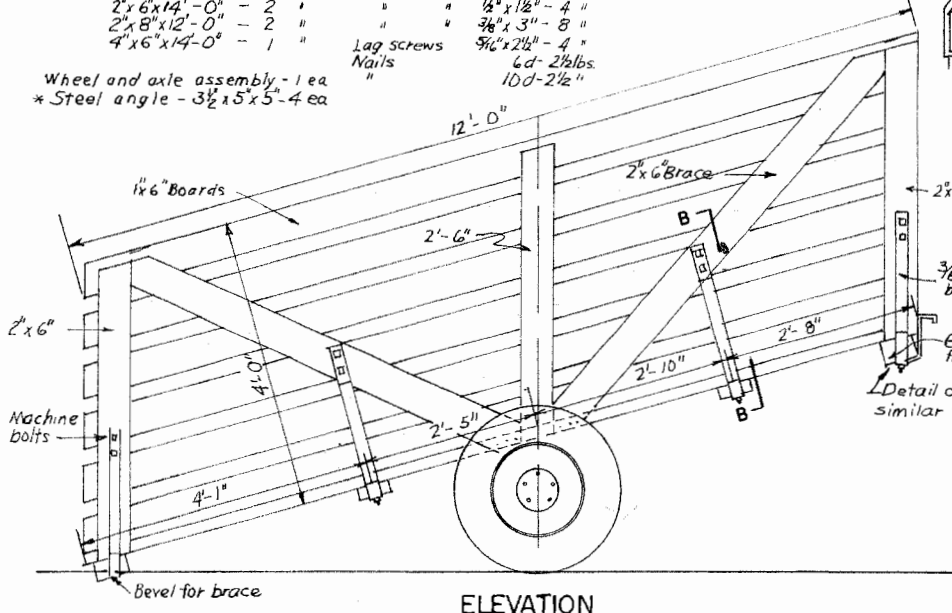
Scale - 3/4" = 1'-0"

CROSS SECTION A-A

Scale - 3/4" = 1'-0"

- | | |
|-------------------------|--|
| Lumber | Steel strap - 3/8" x 2" x 2'-10" - 4 ea |
| 1" x 3" x 8'-0" - 6 pcs | 3/8" x 2" x 2'-0" - 4 " |
| 1" x 6" x 8'-0" - 3 " | 1/2" x 2 1/2" x 1" - 4" - 2 " |
| 1" x 6" x 12'-0" - 12 " | Carriage bolts 1/2" x 4 1/2" - 12 " |
| 2" x 6" x 10'-0" - 1 " | Machine bolts - 3/8" x 3 1/2" - 16 " |
| 2" x 6" x 12'-0" - 5 " | " " 1/2" x 1 1/2" - 4 " |
| 2" x 6" x 14'-0" - 2 " | " " 3/8" x 3" - 8 " |
| 2" x 8" x 12'-0" - 2 " | Lag screws 5/16" x 2 1/4" - 4 " |
| 4" x 6" x 14'-0" - 1 " | Nails 6d - 2 1/2 lbs |
| | 10d - 2 1/2 " |

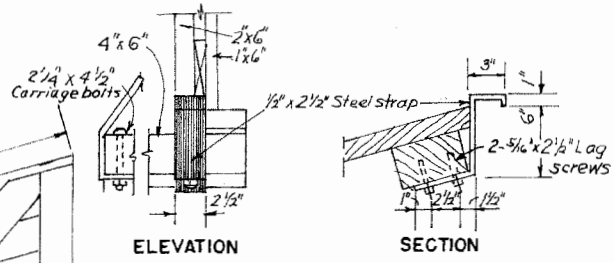
Wheel and axle assembly - 1 ea
 * Steel angle - 3 1/2" x 5" - 4 ea



ELEVATION

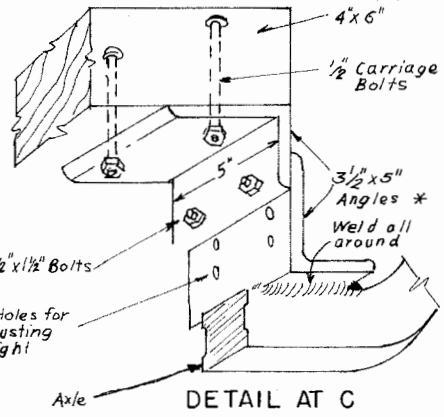
Scale - 3/4" = 1'-0"

▲ NOTE: Increase to 5'-0" for range cattle



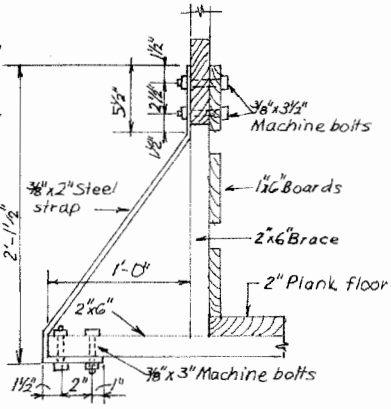
DETAIL AT D

Scale - 1/2" = 1'-0"



DETAIL AT C

* Note: - Size of angles will be governed by type of wheel and axle assembly used.



DETAIL AT B-B

Scale - 1/2" = 1'-0"



MOVABLE CHUTE

ENGINEER	SCALE
DRAWN BY	SHEET 1 OF 1
TRACED BY JNC	DATE
	NO. 5681

Revised

Disclaimer

This site makes available conceptual plans that can be helpful in developing building layouts and selecting equipment for various agricultural applications. These plans do not necessarily represent the most current technology or construction codes. They are not construction plans and do not replace the need for competent design assistance in developing safe, legal and well-functioning agricultural building system. The LSU Agriculture Center, the Mid-West Plan Service, the United States Department of Agriculture and none of the cooperating land-grant universities warranty these plans.