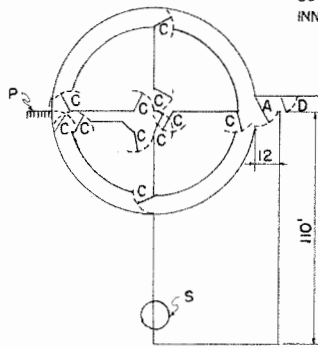
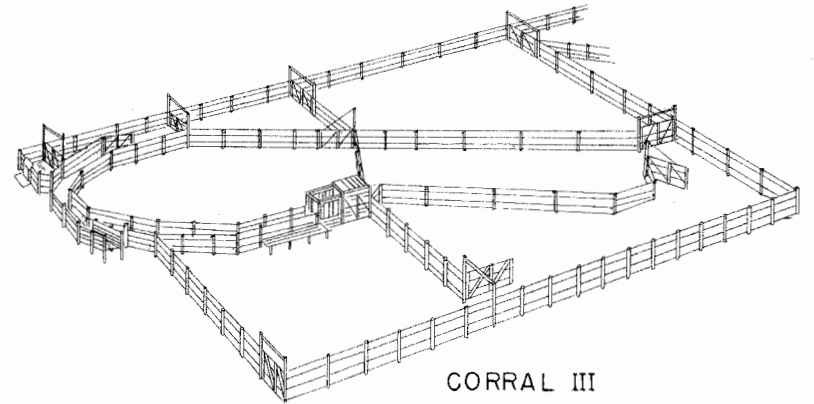
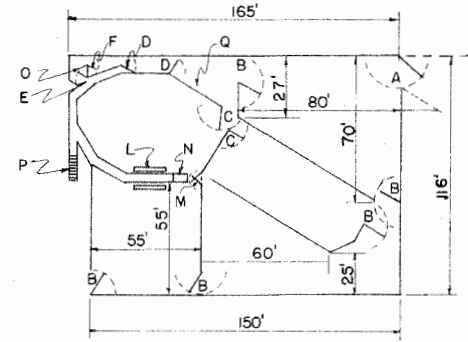


CORRAL II

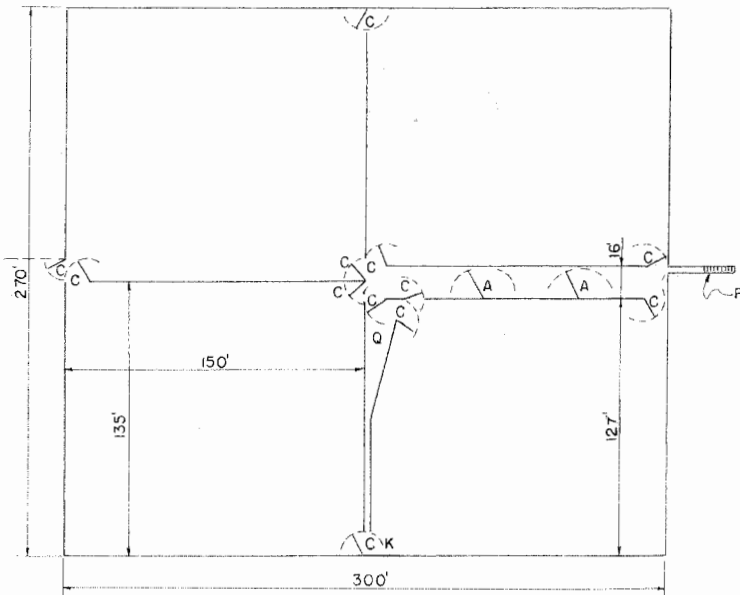


OUTER RING 100' DIA.
INNER RING 80' DIA.

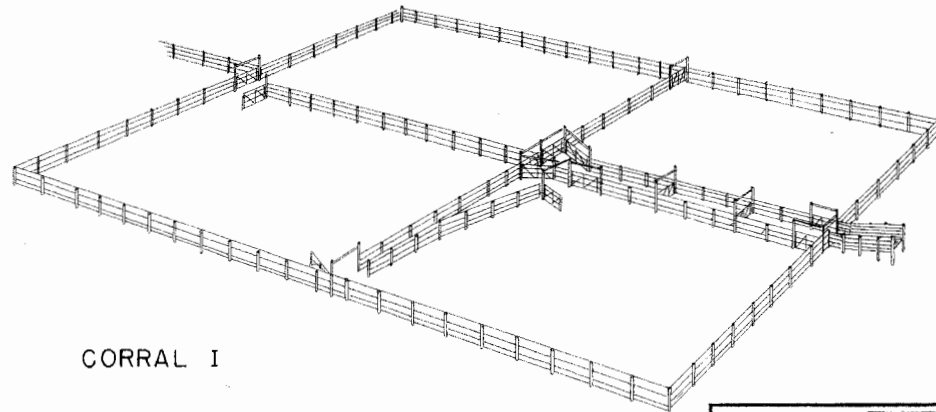


CORRAL III

- A - 16' - 0" GATE
- B - 12' - 0" "
- C - 10' - 0" "
- D - 8' - 0" "
- E - 6' - 0" "
- F - 5' - 0" "
- G - 4' - 0" "
- K - CUTTING GATE
- L - PLATFORM
- M - FOUR-WAY SORTING GATES
- N - SQUEEZE
- O - SCALES
- P - LOADING CHUTE
- Q - CROWDING CHUTE
- R - HEAD GATE
- S - WATER TANK

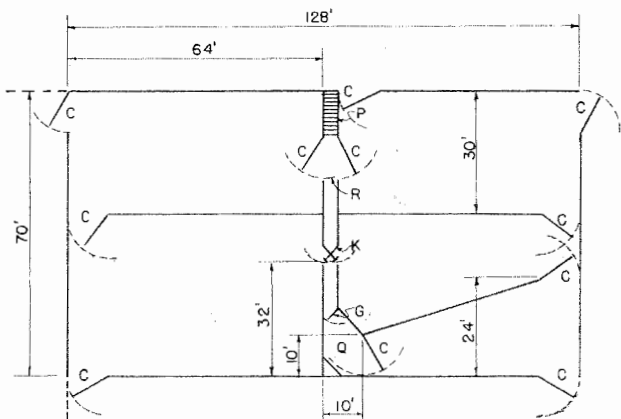
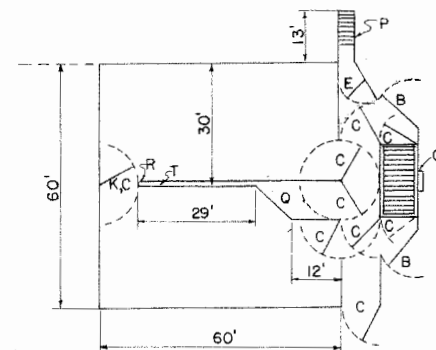
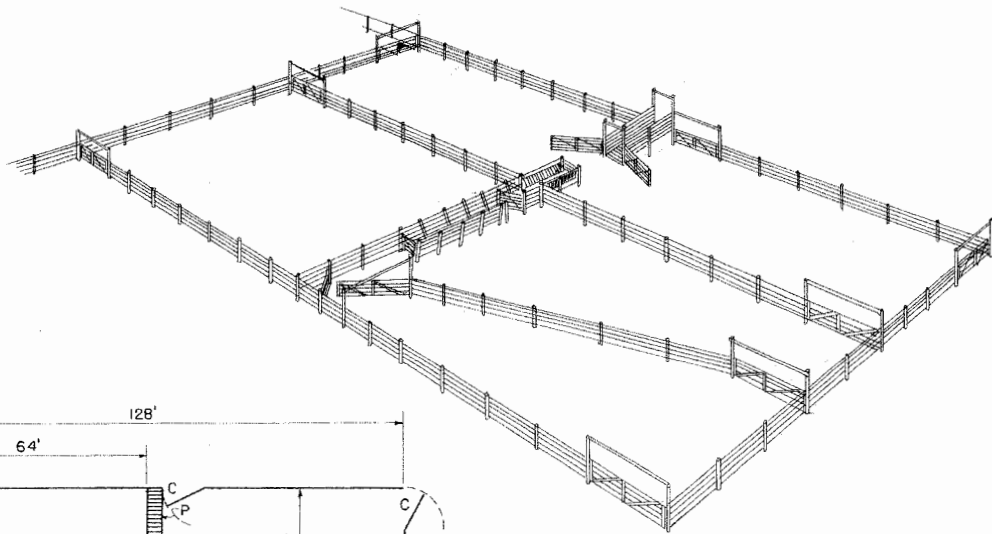


CORRAL I



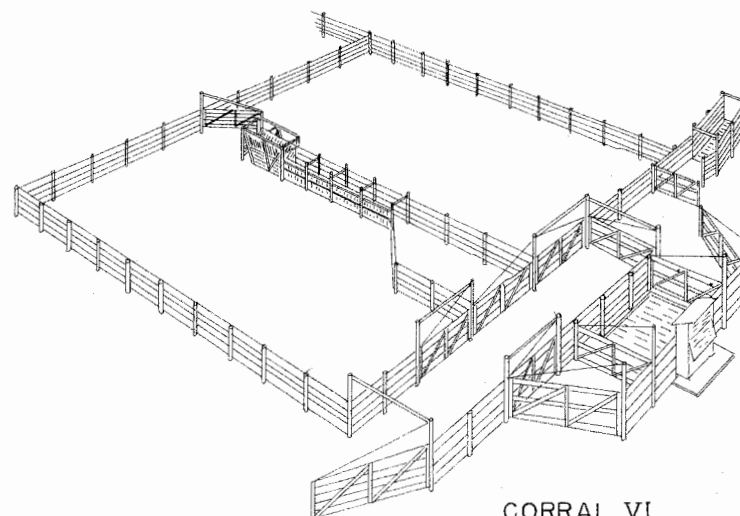
SIX CORRALS
FOR BEEF CATTLE

ENGINEER	SCALE
DRAWN BY	SHEET 1 OF 3
TRACED BY	DATE
	NO. 5835

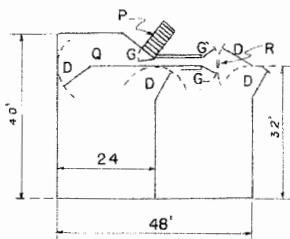
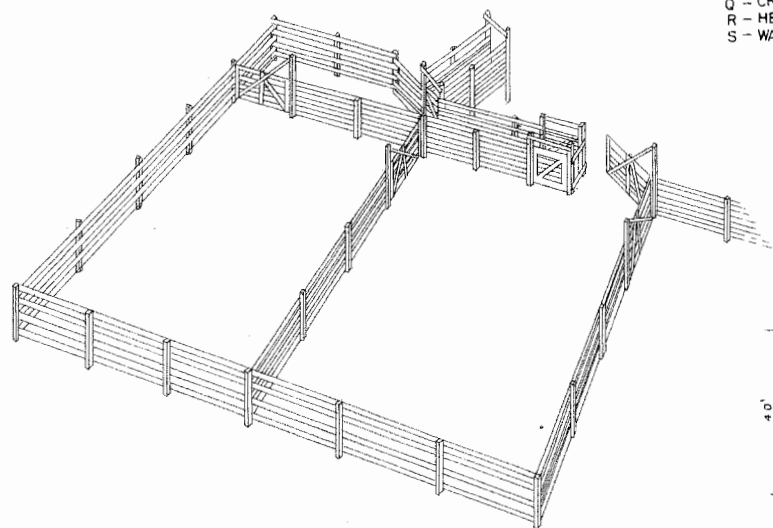


CORRAL V

- A - 16' - 0" GATE
- B - 12' - 0" "
- C - 10' - 0" "
- D - 8' - 0" "
- E - 6' - 0" "
- F - 5' - 0" "
- G - 4' - 0" "
- K - CUTTING GATE
- L - PLATFORM
- M - FOUR-WAY SORTING GATES
- N - SQUEEZE
- O - SCALES
- P - LOADING CHUTE
- Q - CROWDING CHUTE
- R - HEAD GATE
- S - WATER TANK



CORRAL VI



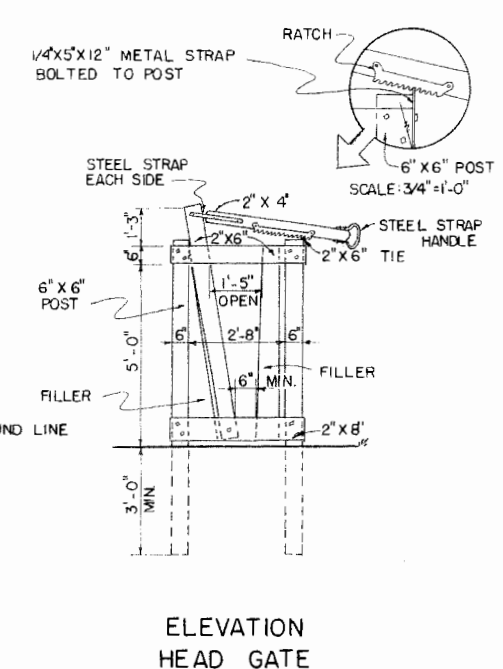
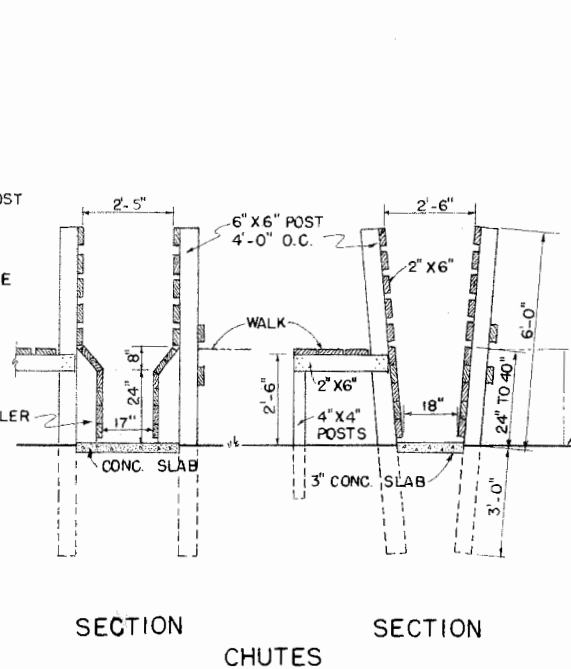
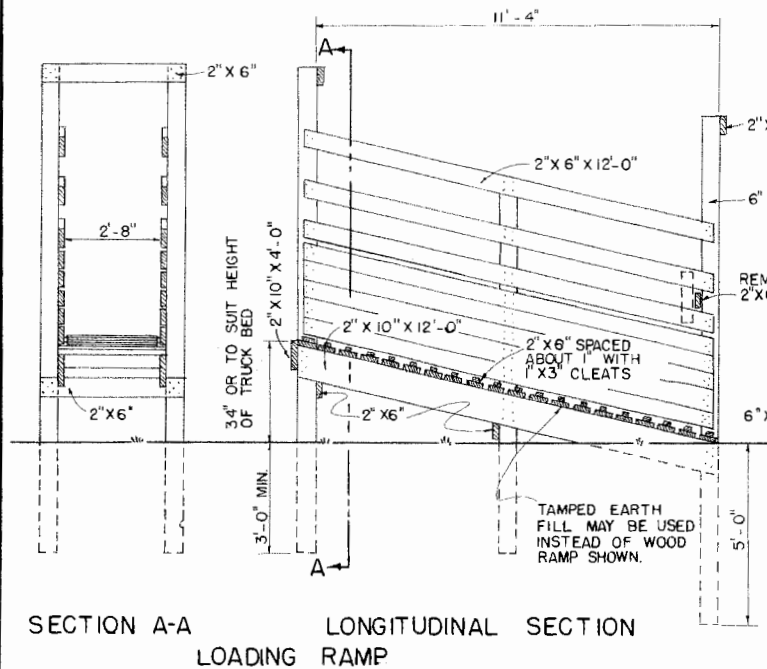
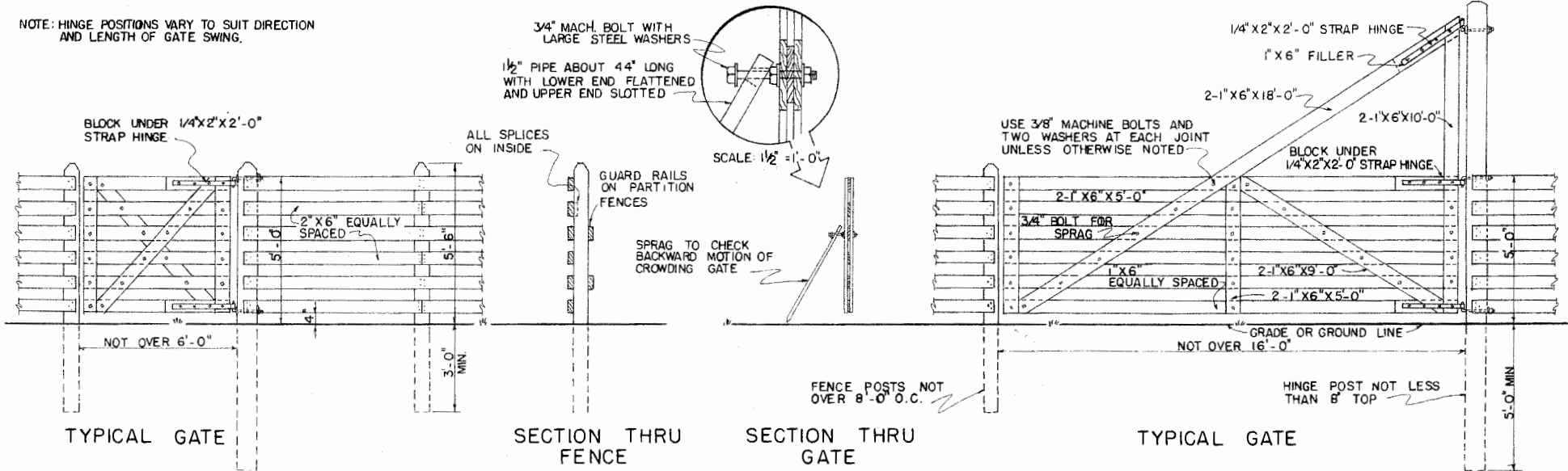
CORRAL IV



SIX CORRALS
FOR BEEF CATTLE

ENGINEER	SCALE	
DRAWN BY	SHEET 2 OF 3	
TRACED BY	DATE	NO. 5835

NOTE: HINGE POSITIONS VARY TO SUIT DIRECTION AND LENGTH OF GATE SWING.



NOTE: ALL WOOD IN CONTACT WITH EARTH SHOULD BE PRESURE TREATED WITH PRESERVATIVE.

LSU AgCenter Research & Extension	
SIX CORRALS FOR BEEF CATTLE	
ENGINEER	SCALE
DRAWN BY	SHEET 3 OF 3
TRACED BY	DATE NO. 5835

Disclaimer

This site makes available conceptual plans that can be helpful in developing building layouts and selecting equipment for various agricultural applications. These plans do not necessarily represent the most current technology or construction codes. They are not construction plans and do not replace the need for competent design assistance in developing safe, legal and well-functioning agricultural building system. The LSU Agriculture Center, the Mid-West Plan Service, the United States Department of Agriculture and none of the cooperating land-grant universities warranty these plans.