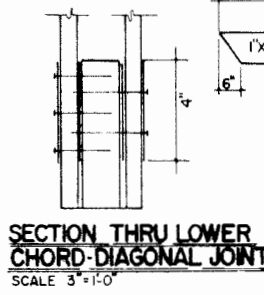
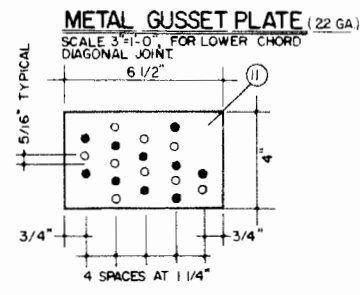
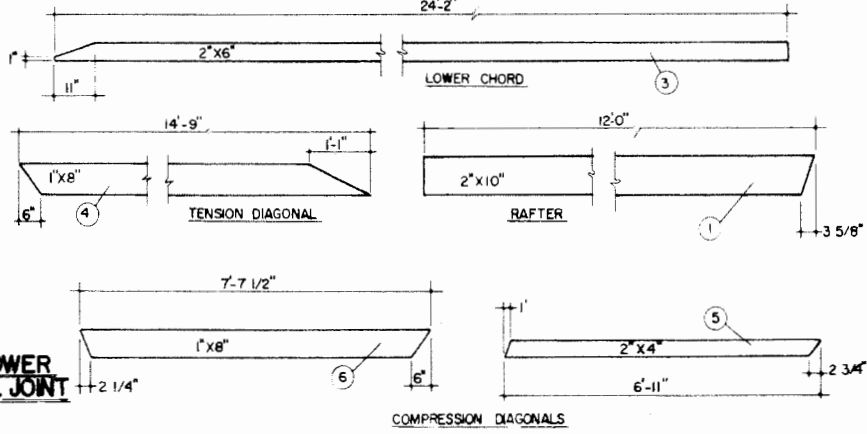
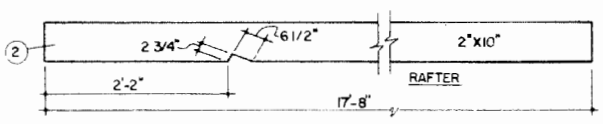
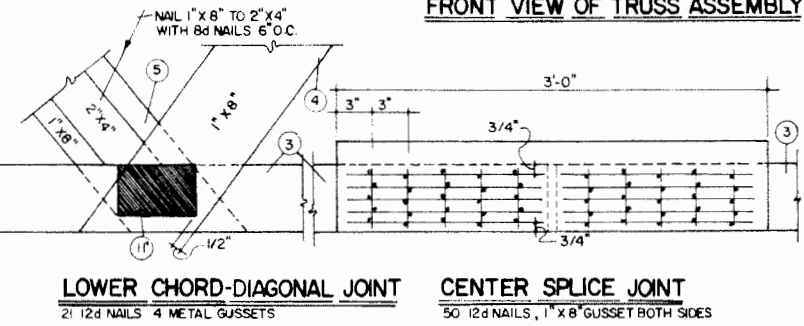
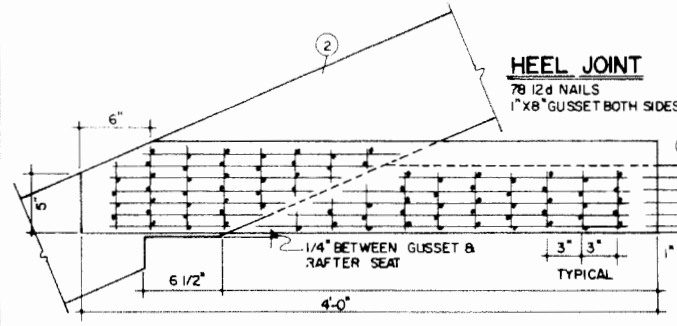
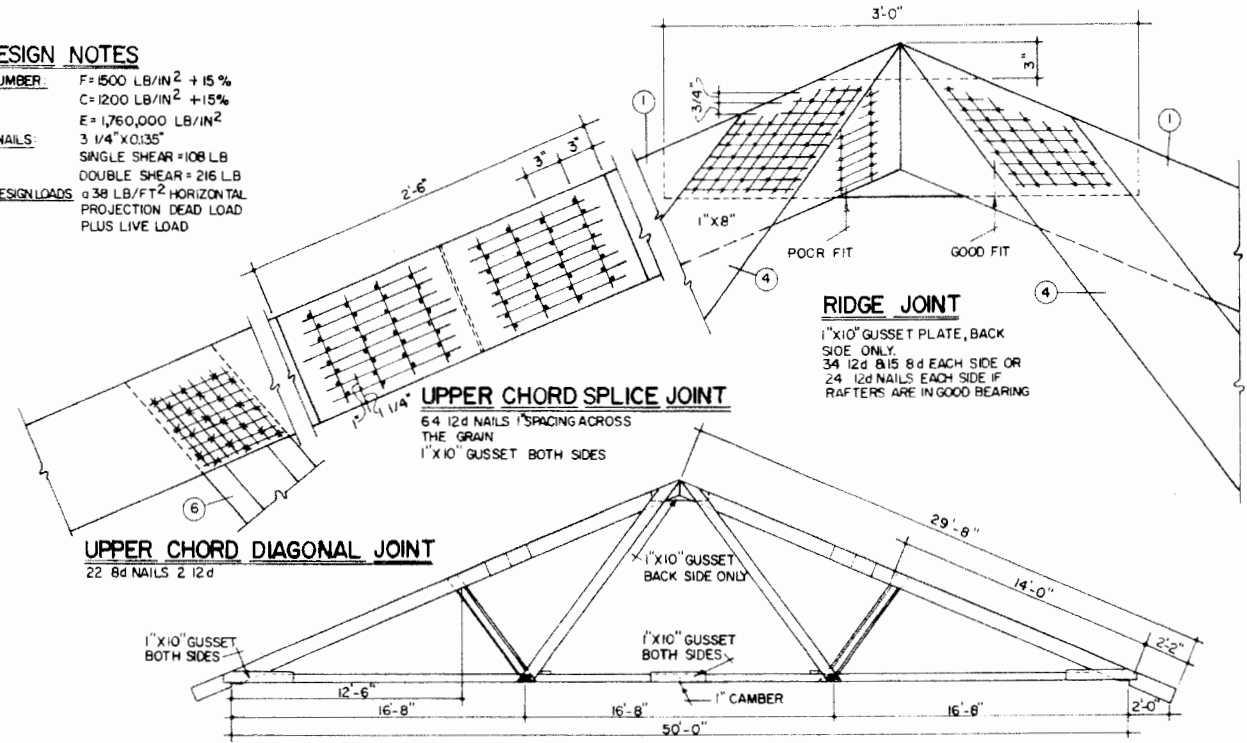


DESIGN NOTES

- 1. LUMBER:** F = 1500 LB/IN² + 15%
C = 1200 LB/IN² + 15%
E = 1,760,000 LB/IN²
- 2. NAILS:** 3 1/4" x 0.135"
SINGLE SHEAR = 108 LB
DOUBLE SHEAR = 216 LB
- 3. DESIGN LOADS:** 38 LB/FT² HORIZONTAL PROJECTION DEAD LOAD PLUS LIVE LOAD



NOTES & SPECIFICATIONS

- LUMBER: CONSTRUCTION GRADE DOUGLAS FIR OR EQUIVALENT. TRUSSES SPACED 4'-0" ON CENTERS.
- CAMBER: 1" AT CENTER SPLICE.
- NAILS: USE HARDENED, HELICALLY THREADED SCREWTITE NAILS OR EQUIVALENT. DRIVE ALL NAILS FROM THE FRONT EXCEPT THOSE SHOWN AS X. MAKE AND USE A NAILING TEMPLATE FOR LOCATING ALL NAILS.
- MINIMUM END GRAIN NAIL SPACING, ALL MEMBERS 2 1/2" - 3".
- MINIMUM EDGE GRAIN NAIL SPACING, ALL MEMBERS 3/4" - 1".

LSU AgCenter
Research & Extension

50' NAILED TRUSS
5 IN 12 SLOPE - 4'-0" SPACING

MASS. '67 EX. 6009 SHEET 1 OF 1

Disclaimer

This site makes available conceptual plans that can be helpful in developing building layouts and selecting equipment for various agricultural applications. These plans do not necessarily represent the most current technology or construction codes. They are not construction plans and do not replace the need for competent design assistance in developing safe, legal and well-functioning agricultural building system. The LSU Agriculture Center, the Mid-West Plan Service, the United States Department of Agriculture and none of the cooperating land-grant universities warranty these plans.