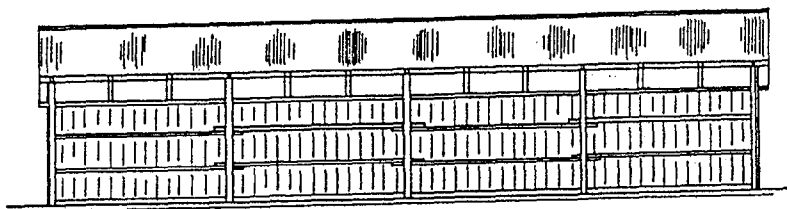
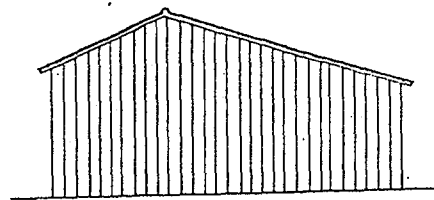


FLOOR PLAN
scale 1/4" = 1'-0"




FRONT ELEVATION

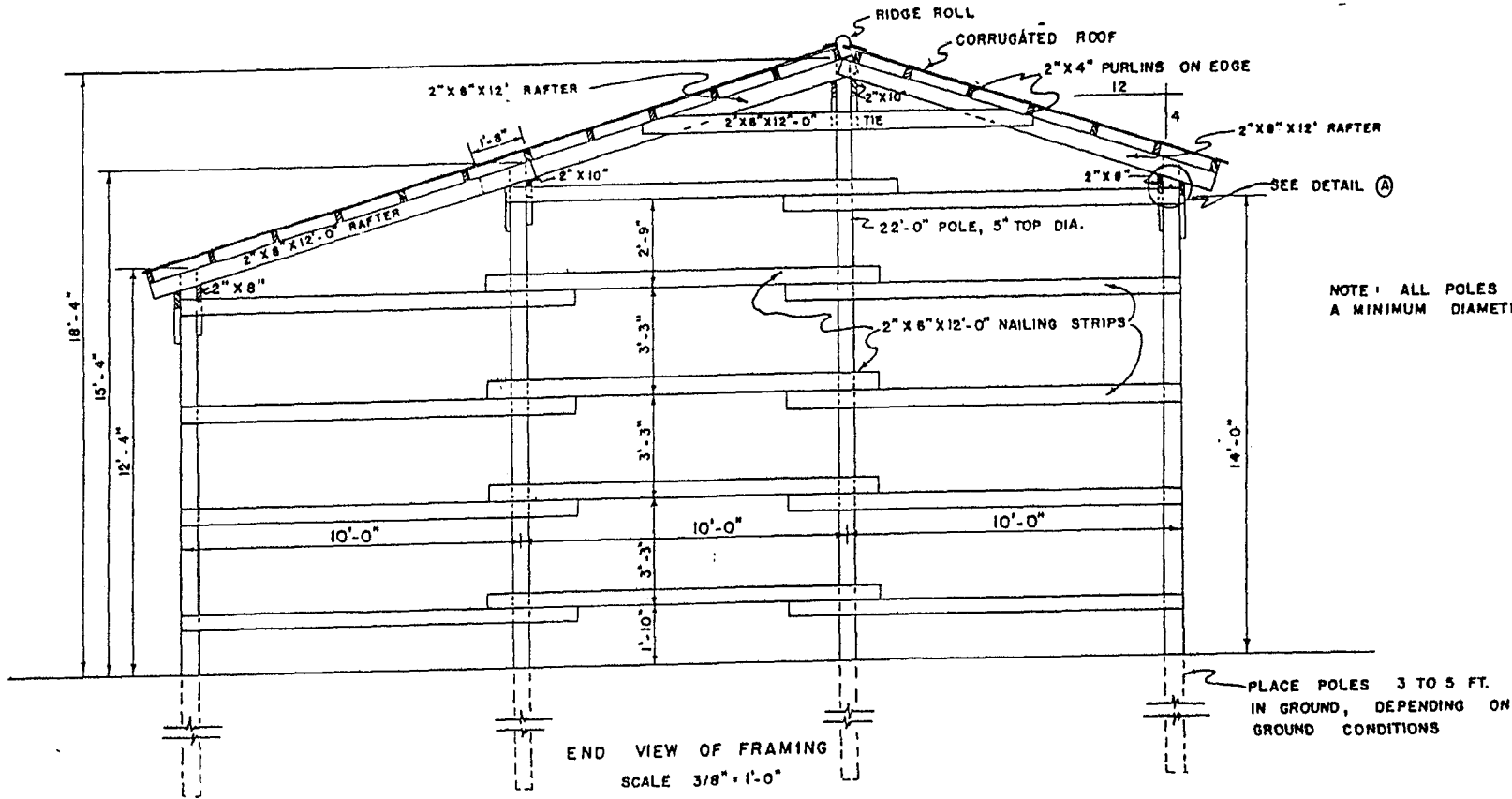
scale 1/8" = 1'-0"



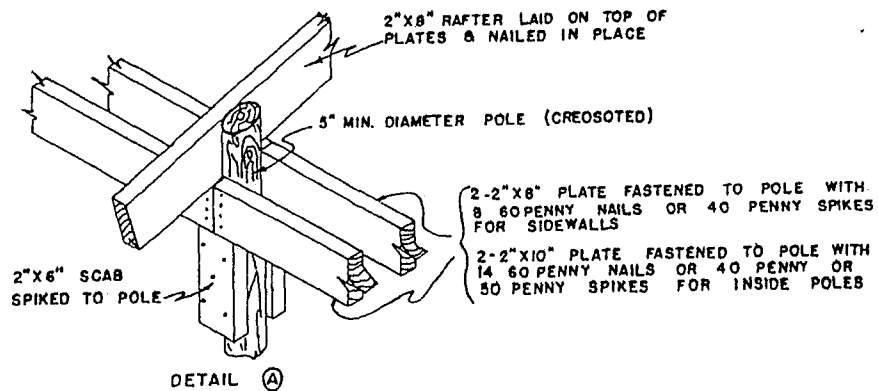
RIGHT SIDE ELEVATION


	
MACHINERY SHED	
ENGINEER W. GRUB	SCALE AS SHOWN
DRAWN BY J.K. BAGLEY	SHEET 1 OF 2
TRACED BY J.M. QUIN	JAN, 1954 NO. 64-3

NOTE: RAFTERS & TIES SHALL BE SPACED 5'-0" O.C.



NOTE: ALL POLES SHALL HAVE A MINIMUM DIAMETER OF 5"



	
MACHINERY SHED	
ENGINEER W. GRUB	SCALE AS SHOWN
DRAWN BY J. K. BAGLEY	SHEET 2 OF 2
TRACED BY J. M. O'QUIN	JAN 1954 NO. 64-3

Disclaimer

This site makes available conceptual plans that can be helpful in developing building layouts and selecting equipment for various agricultural applications. These plans do not necessarily represent the most current technology or construction codes. They are not construction plans and do not replace the need for competent design assistance in developing safe, legal and well-functioning agricultural building system. The LSU Agriculture Center, the Mid-West Plan Service, the United States Department of Agriculture and none of the cooperating land-grant universities warranty these plans.