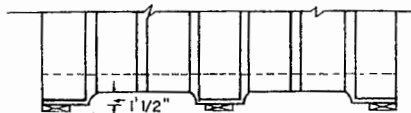


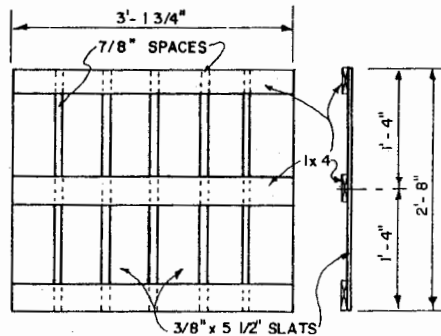
EDGE VIEW

FRONT VIEW

SIDE PANEL SCALE: 1" = 1'-0"  
(2 REQ'D)



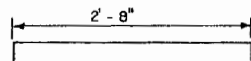
ALTERNATE STRINGER  
DETAIL FOR 4-WAY ENTRY



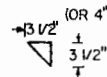
FRONT VIEW

EDGE VIEW

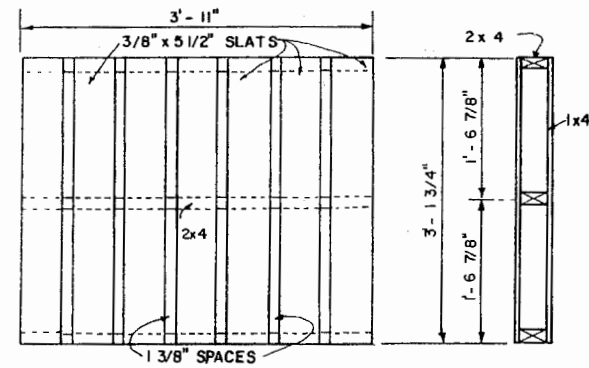
END PANEL SCALE: 1" = 1'-0"  
(2 REQ'D)



CORNER POSTS  
(4 REQ'D) (RIP FROM 4 x 4)  
SCALE: 1" = 1'-0"

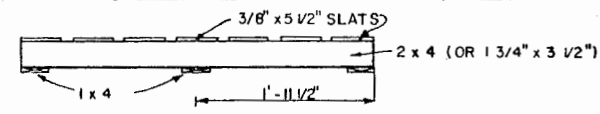


END



TOP VIEW

END VIEW

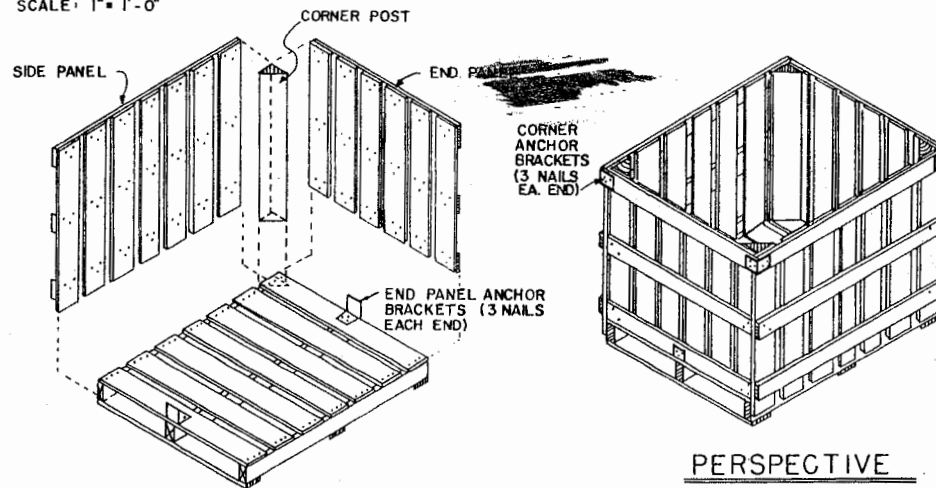


SIDE VIEW

BOTTOM PANEL SCALE: 1" = 1'-0"

**NOTES:**

- DESIGNED TO CONFORM TO AMERICAN SOCIETY OF AGRICULTURAL ENGINEERS' RECOMMENDED INDUSTRY WIDE STANDARDS FOR AUTOMATED HANDLING EQUIPMENT, ASAE S 337.
- THE SIZE OF THIS BIN IS SUCH THAT IT WILL FIT ON FLATBED TRUCKS, IN CLOSED VANS AND REFRIGERATED RAILROAD CARS, WITH ONE DIMENSION 47" IT CAN BE HANDLED IN MOST AUTOMATIC BIN HANDLING EQUIPMENT NOW BEING BUILT TO HANDLE THE STANDARD 47" x 47" BIN. THE INSIDE DEPTH OF 32" IS 8" GREATER THAN STANDARD BINS FOR FRUIT.
- USE AIR NAILER AND 1" RING SHANK NAILS OR EQUIVALENT STAPLES TO ATTACH 3/8"-THICK SLATS TO 3/4" THICK SLATS (3-4 NAILS PER JOINT), AND 6d(2") RING SHANK NAILS, OR EQUAL, TO ATTACH SLATS TO STRINGERS, PANELS TO CORNER POSTS, AND ANCHOR BRACKETS AT PLACES SHOWN.
- USE SOUND QUALITY HARDWOOD SPECIES FOR ALL WOODEN MEMBERS. SURFACES IN CONTACT WITH PRODUCE SHOULD BE PLANED OR SMOOTH SAWN TO MINIMIZE ABRASION.



ASSEMBLY DIAGRAM

PERSPECTIVE

LIST OF MATERIALS

<u>ITEM</u>	<u>SIZE</u>	<u>QUANTITY</u>
Stringers	2x4 x 47" (or 1 3/4" x 3 1/2")	3 ea.
Slats, Under-Stringer	3/4" x 3 3/4" x 35 1/2"	3 ea.
Slats, Top of Stringer	3/8" x 5 1/2" x 31 3/4"	7 ea.
Slats, Vert. Side Panels	3/8" x 5 1/2" x 35 1/2"	14 ea.
Slats, Horiz. Side Panels	3/4" x 3 3/4" x 47"	6 ea.
Slats, Horiz. End Panels	3/8" x 5 1/2" x 32"	12 ea.
Slats, Horiz. End Panels	3/4" x 3 3/4" x 37 3/4"	6 ea.
Corner Posts	4x4 x 32" Ripped	2 ea. (4 posts)
Anchor Brackets	3" x 6", Bent 90°, 20 GA Galv. Steel or Equal	6 ea.

**NOTE:**

THE INCH MARKS (") ON ITEMS MEAN ACTUAL DIMENSIONS WHEREAS NO INCH MARKS MEAN "NOMINAL" OR APPROXIMATE DIMENSIONS



SLATTED WOODEN PALLET BIN FOR PEPPERS

KY '88 6414 SHEET 1 OF 1

## Disclaimer

This site makes available conceptual plans that can be helpful in developing building layouts and selecting equipment for various agricultural applications. These plans do not necessarily represent the most current technology or construction codes. They are not construction plans and do not replace the need for competent design assistance in developing safe, legal and well-functioning agricultural building system. The LSU Agriculture Center, the Mid-West Plan Service, the United States Department of Agriculture and none of the cooperating land-grant universities warranty these plans.