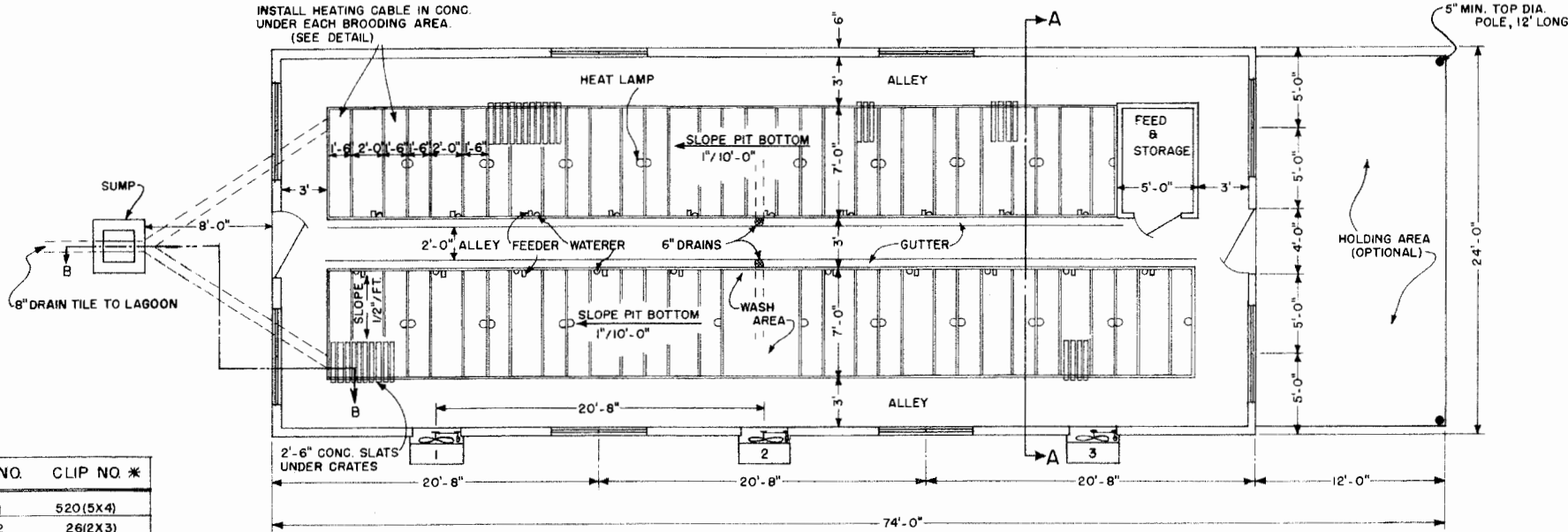


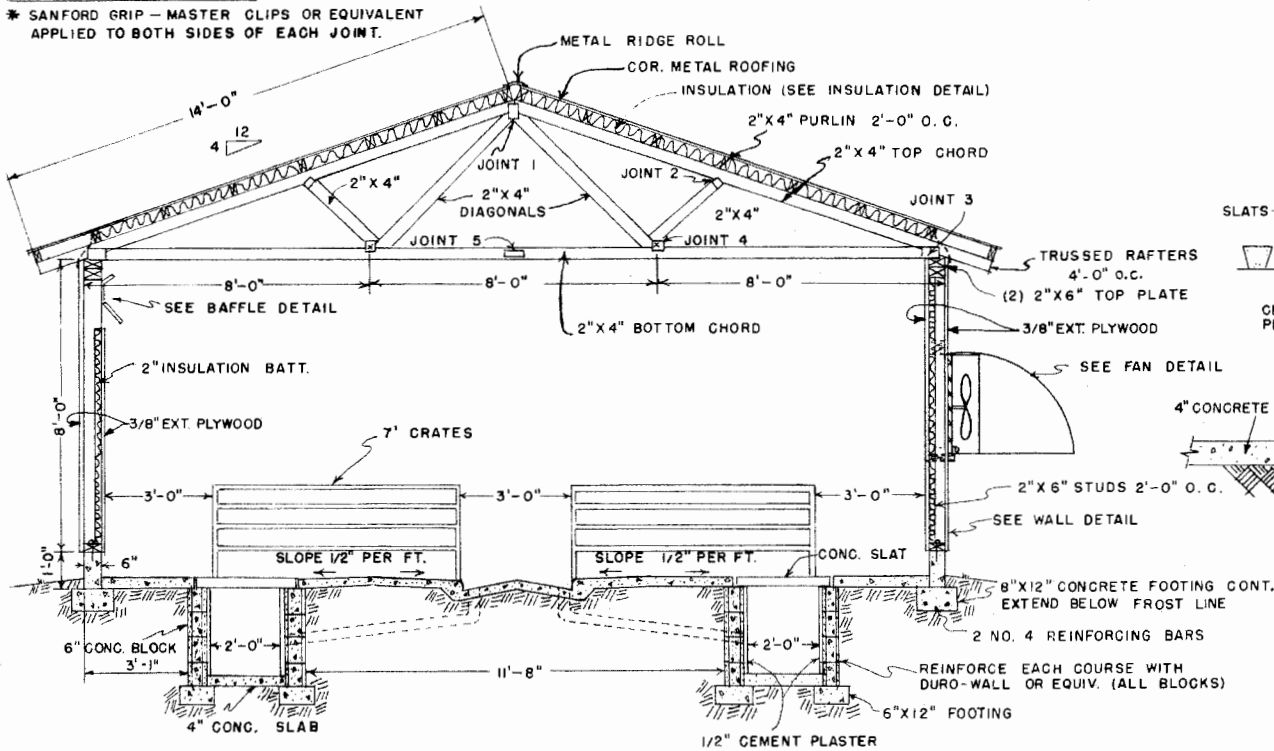
INSTALL HEATING CABLE IN CONC. UNDER EACH BROODING AREA. (SEE DETAIL)



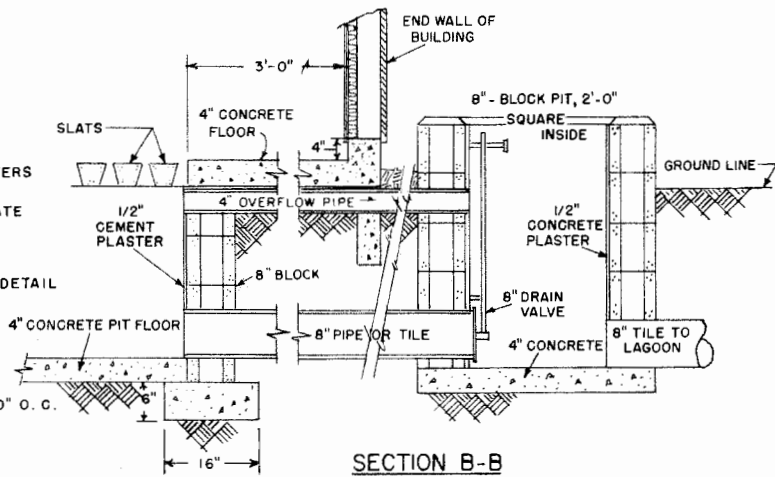
JOINT NO.	CLIP NO. *
JOINT-1	520 (5X4)
JOINT-2	26 (2X3)
JOINT-3	318 (3X6)
JOINT-4	312 (3X4)
JOINT-5	318 (3X5)

PLAN VIEW  
SCALE: 3/16" = 1'-0"

\* SANFORD GRIP - MASTER CLIPS OR EQUIVALENT APPLIED TO BOTH SIDES OF EACH JOINT.



SECTION A-A  
SCALE: 3/8" = 1'-0"



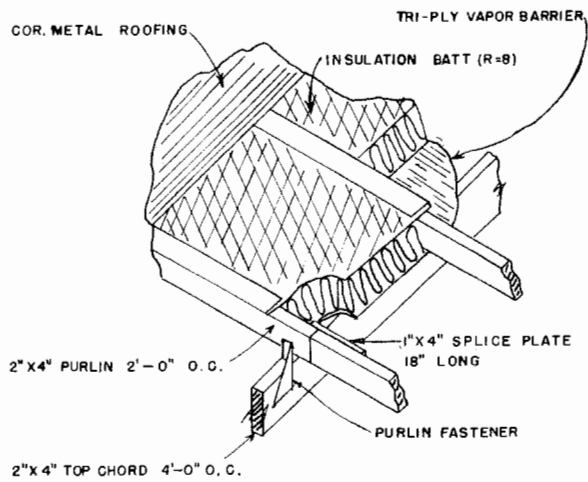
SECTION B-B

BASED ON:  
AUBURN UNIV. PLAN NO. J-117

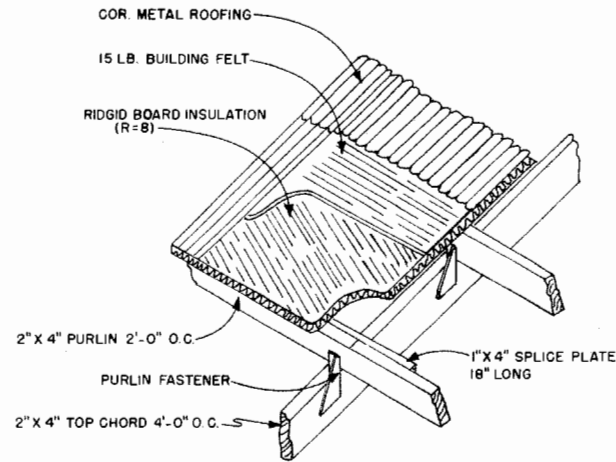


FARROWING HOUSE FOR SWINE  
ENVIRONMENTALLY CONTROLLED

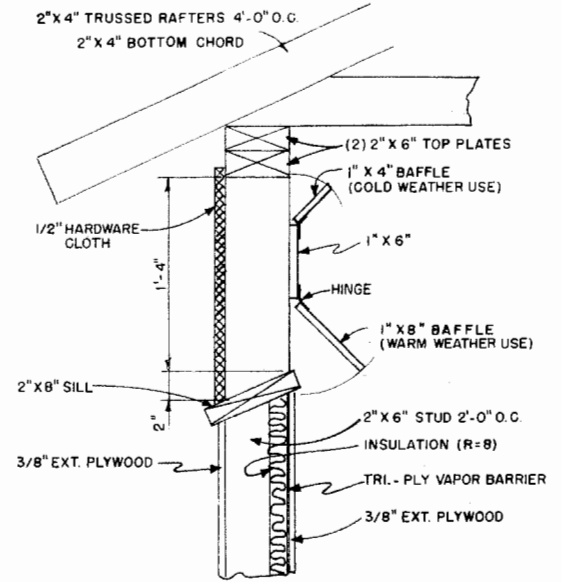
ALA. '71 6130 SHEET 1 OF 3



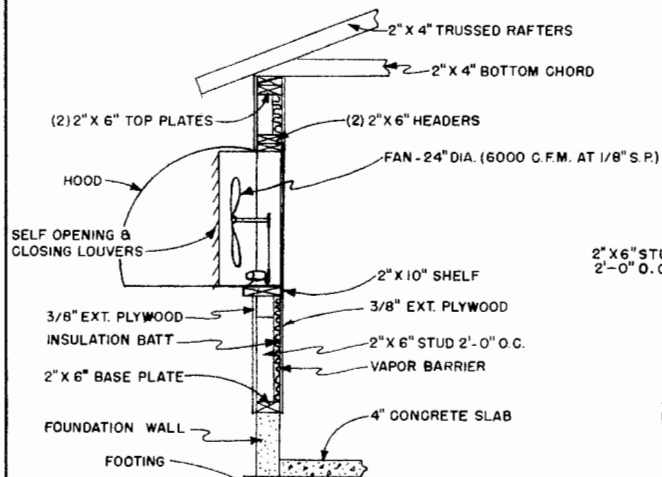
INSULATION DETAIL



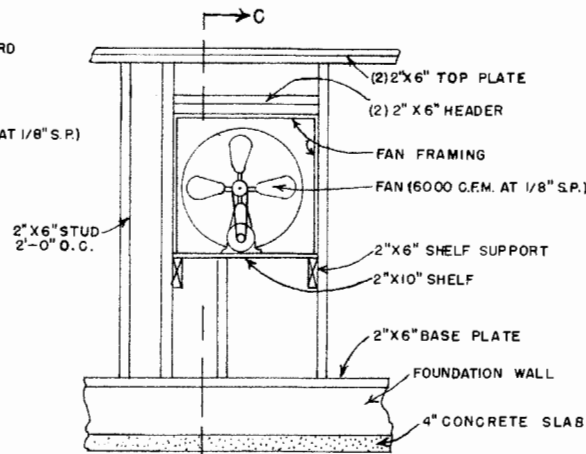
ALTERNATE INSULATION DETAIL



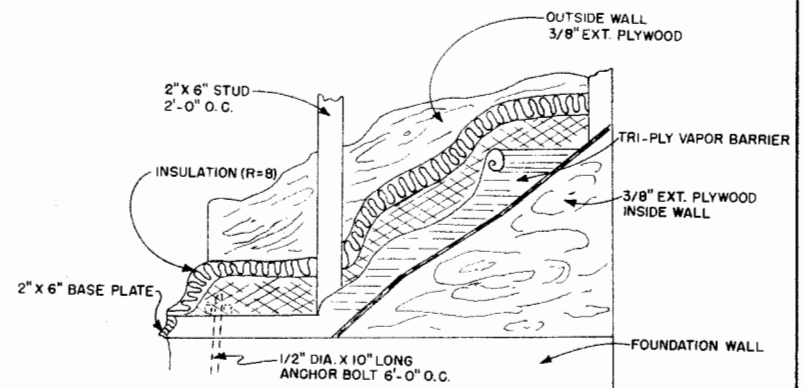
BAFFLE DETAIL



SECTION C-C  
FAN DETAILS



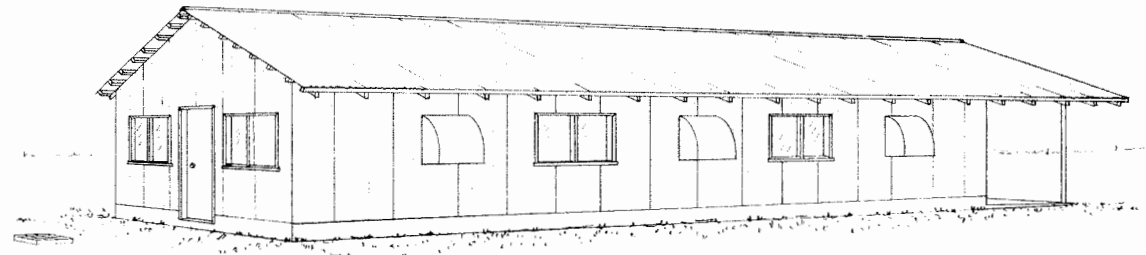
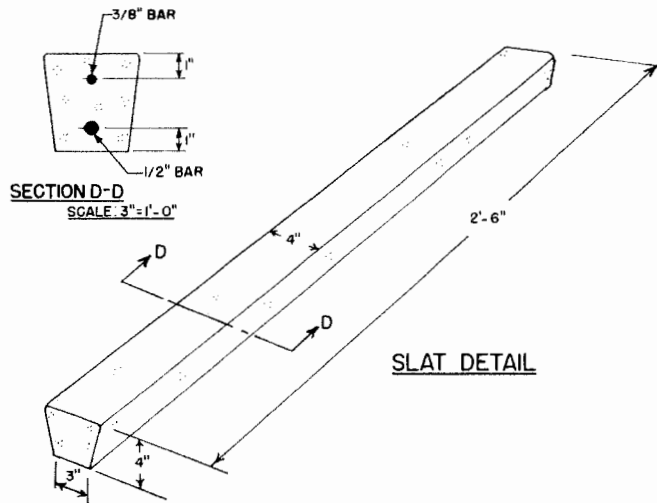
VIEW FROM INSIDE HOUSE



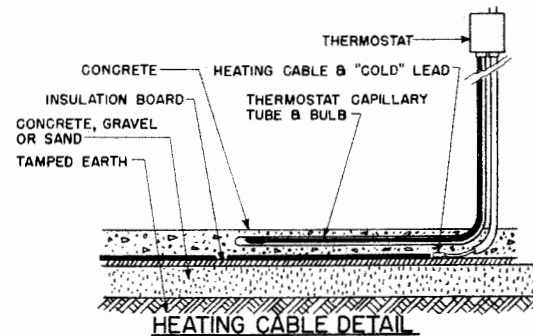
WALL CONSTRUCTION DETAIL



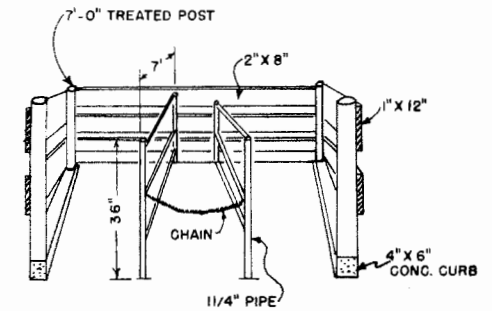
**FARROWING HOUSE FOR SWINE  
ENVIRONMENTALLY CONTROLLED**



PERSPECTIVE



HEATING CABLE DETAIL

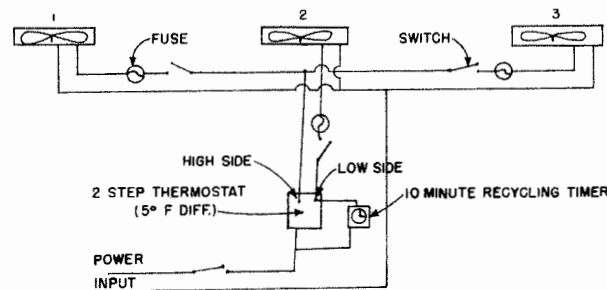


DETAIL OF WASH AREA

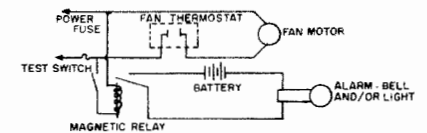
**VENTILATION SYSTEM OPERATION**

**WARM WEATHER:**  
 FAN 2 CONTROLLED BY LOW SIDE OF 5° DIFFERENTIAL STEP THERMOSTAT, FANS 1 AND 3 CONTROLLED BY HIGH SIDE.

**COLD WEATHER:**  
 USE TIME CLOCK TO OPERATE FAN 2 APPROXIMATELY 20% OF TIME (2 MIN. IN 10) FOR MOISTURE REMOVAL, AND TO MAINTAIN HUMIDITY AT 55-70% IN BUILDING. MAINTAIN TEMPERATURES AT 60-70°F.



SCHEMATIC DIAGRAM FOR WIRING OF VENTILATION SYSTEM



BATTERY OPERATED RELAY CONTROLLED ALARM



FARROWING HOUSE FOR SWINE ENVIRONMENTALLY CONTROLLED

## Disclaimer

This site makes available conceptual plans that can be helpful in developing building layouts and selecting equipment for various agricultural applications. These plans do not necessarily represent the most current technology or construction codes. They are not construction plans and do not replace the need for competent design assistance in developing safe, legal and well-functioning agricultural building system. The LSU Agriculture Center, the Mid-West Plan Service, the United States Department of Agriculture and none of the cooperating land-grant universities warranty these plans.