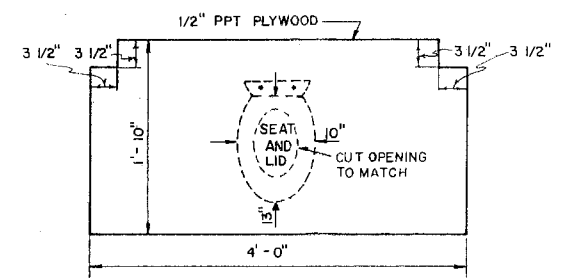
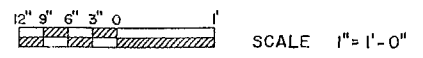
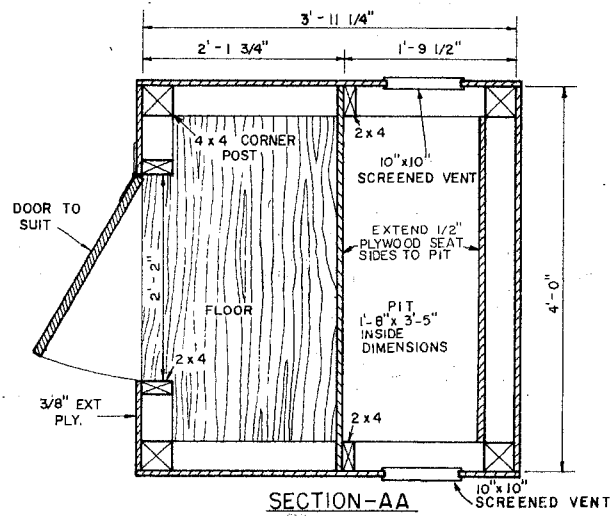
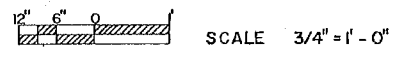
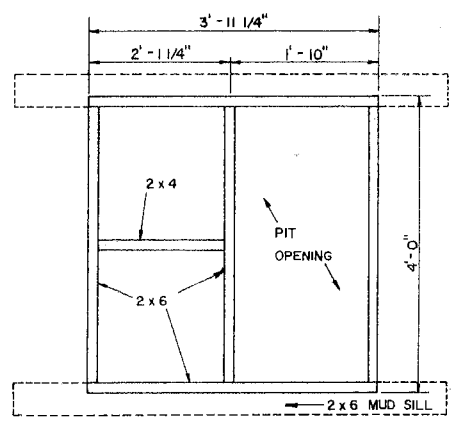
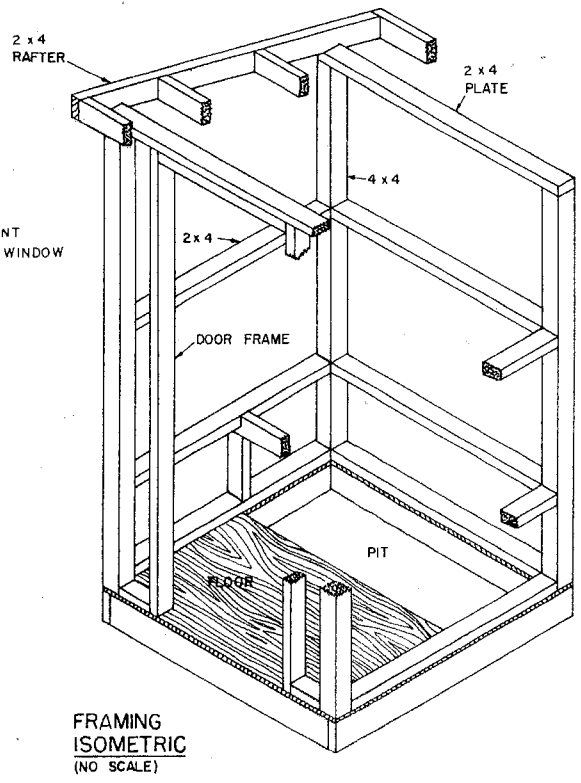


- NOTES:**
1. ALL PLYWOOD TO BE EXTERIOR TYPE.
  2. ALL WOOD BELOW SEAT LEVEL SHOULD BE PRESERVATIVE TREATED.
  3. ALL FASTENINGS AND METAL PARTS TO BE CORROSION RESISTANT.
  4. CONSULT LOCAL HEALTH OR BUILDING DEPARTMENT OFFICIALS FOR STRUCTURE AND PIT APPROVAL IN YOUR AREA.
  5. ALL WOOD BELOW GROUND SHOULD BE PRESERVATIVE TREATED.



**LSU AgCenter**  
Research & Extension

**PIT-TYPE PRIVY**

MASS '68	6396	SHEET 1 OF 1
REV '87		

REV OF 6054

## Disclaimer

This site makes available conceptual plans that can be helpful in developing building layouts and selecting equipment for various agricultural applications. These plans do not necessarily represent the most current technology or construction codes. They are not construction plans and do not replace the need for competent design assistance in developing safe, legal and well-functioning agricultural building system. The LSU Agriculture Center, the Mid-West Plan Service, the United States Department of Agriculture and none of the cooperating land-grant universities warranty these plans.