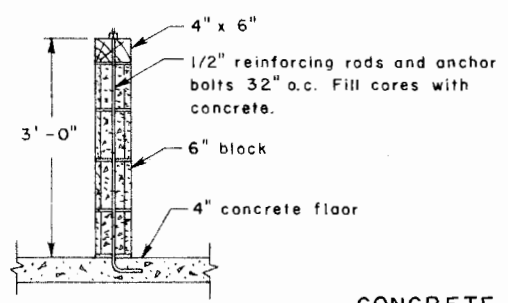
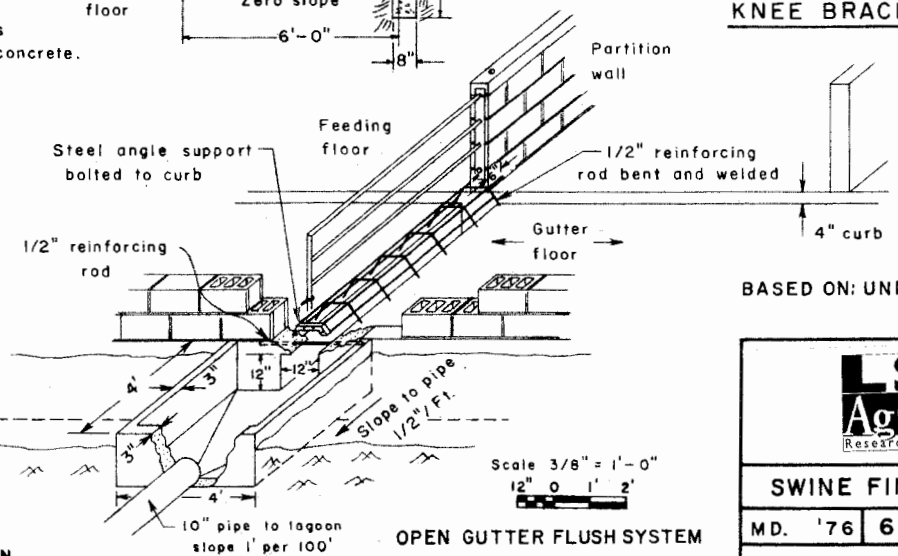


EXTEND FOOTINGS TO FIRM BASE BELOW FROST LINE



CONCRETE CATCH BASIN AND GUARDS detail

NOTE: CONSULT LOCAL HEALTH AND BUILDING CODE AUTHORITIES BEFORE STARTING CONSTRUCTION



BASED ON: UNIV. OF MD. PLAN 75-I-7

**LSU**  
AgCenter  
Research & Extension

**SWINE FINISHING HOUSE**

MD. '76 6 2 4 1 SHEET 1 OF 1

## Disclaimer

This site makes available conceptual plans that can be helpful in developing building layouts and selecting equipment for various agricultural applications. These plans do not necessarily represent the most current technology or construction codes. They are not construction plans and do not replace the need for competent design assistance in developing safe, legal and well-functioning agricultural building system. The LSU Agriculture Center, the Mid-West Plan Service, the United States Department of Agriculture and none of the cooperating land-grant universities warranty these plans.