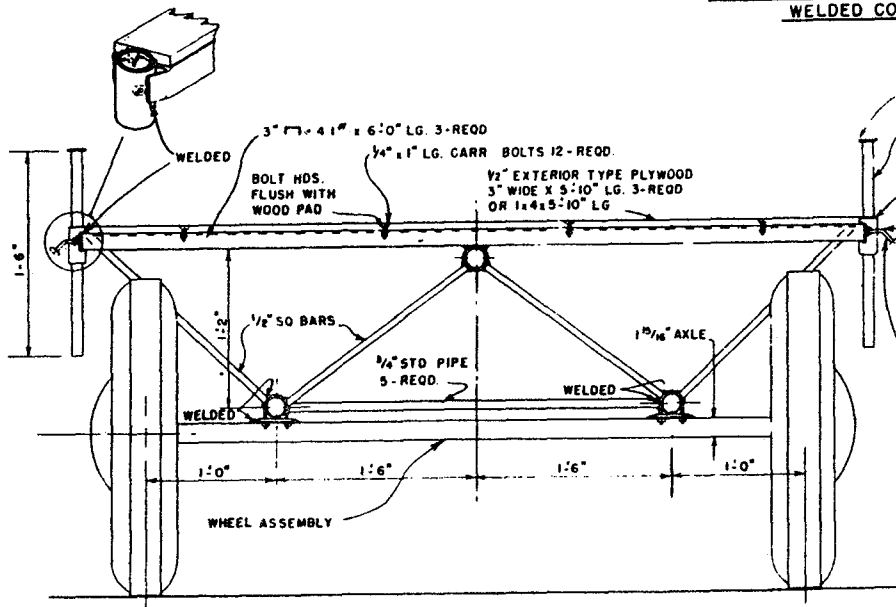
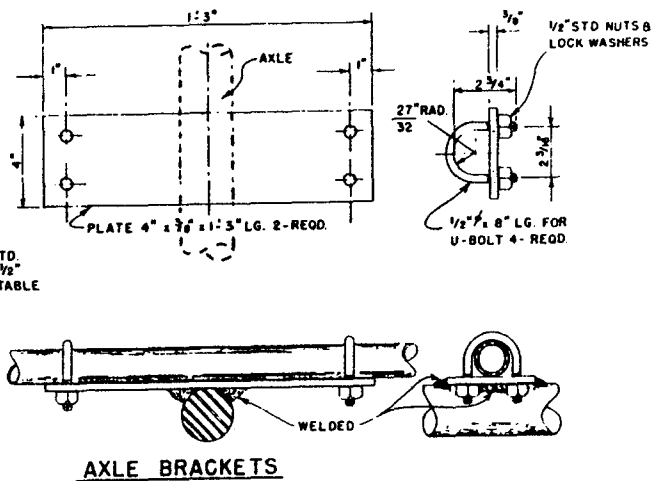


ELEVATION
30 OR 40 FT. IRRIGATION PIPE TRAILER
WELDED CONSTRUCTION



SECTION A-A



AXLE BRACKETS



IRRIGATION PIPE TRAILER
 FOR 30 OR 40 FT. ALUM. PIPE

ORE '62 EX. 5942 SHEET 1 OF 1

Disclaimer

This site makes available conceptual plans that can be helpful in developing building layouts and selecting equipment for various agricultural applications. These plans do not necessarily represent the most current technology or construction codes. They are not construction plans and do not replace the need for competent design assistance in developing safe, legal and well-functioning agricultural building system. The LSU Agriculture Center, the Mid-West Plan Service, the United States Department of Agriculture and none of the cooperating land-grant universities warranty these plans.